

If the data and structure update, without notice, subject to material object.



# COMMERCIAL GREASE INTERCEPTORS

**AMERICAN CHEF**

121 McLean Drive, Vancouver, BC, Canada

1-866-450-CHEF

[americanchef.ca](http://americanchef.ca)



# American Chef Grease Interceptors







## GT-50

Size:	33" W x 24.5" D x 21.75" H
Flow Rate:	50 gpm
Grease Cap. (lbs):	100 lbs
Efficiency:	93%
Liquid Capacity:	75 L
Weight:	151 lbs
Shipping Size:	32.68 x 22.83 x 22.44 inches

## GT-75

Size:	39.75" W x 30.75" D x 23" H
Flow Rate:	75 gpm
Grease Cap. (lbs):	150 lbs
Efficiency:	93%
Liquid Capacity:	215 L
Weight:	156 lbs
Shipping Size:	40.55 x 31.5 x 25.2 inches

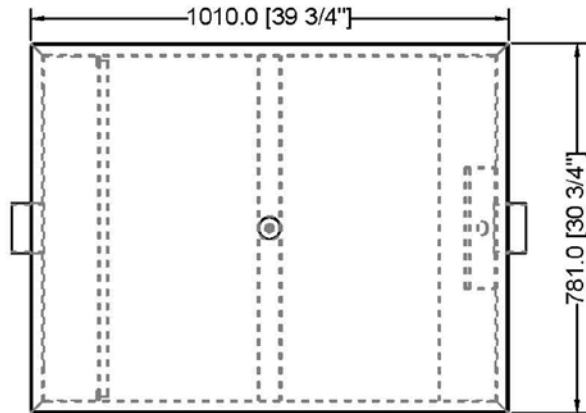
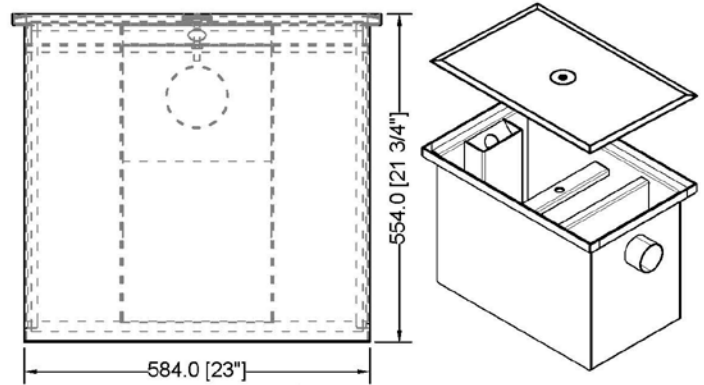
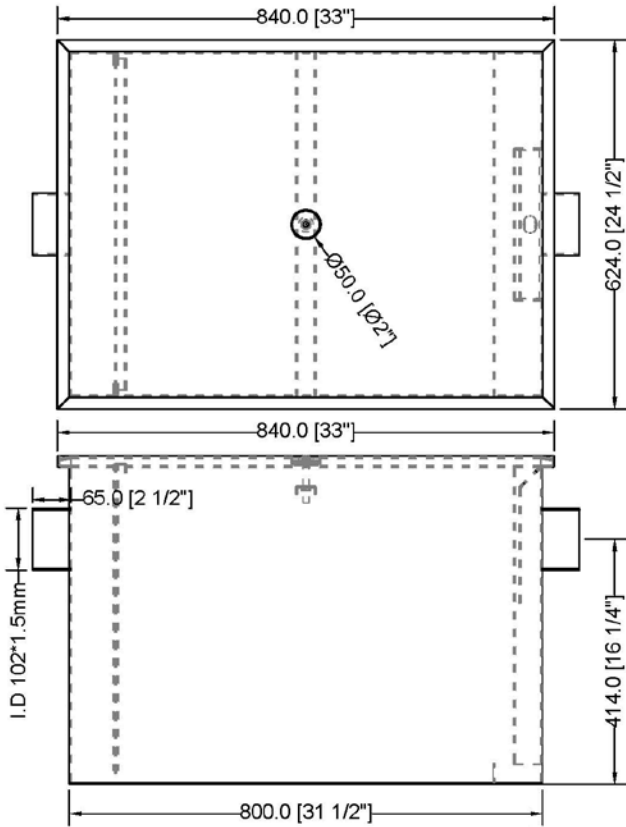
-  Robust 11-gauge cold-rolled steel for enhanced durability and strength.
-  The threaded inlet and outlet feature a 4-inch size for secure and reliable connections.

-  Oven-cured and acid-resistant baked gray epoxy coating.
-  Internal components are removable or designed for easy access, facilitating effortless cleaning.

# Grease Interceptors

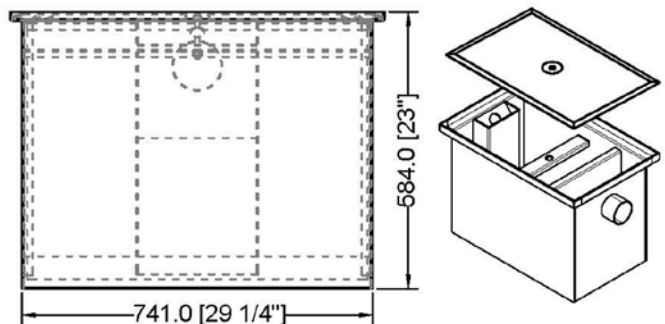
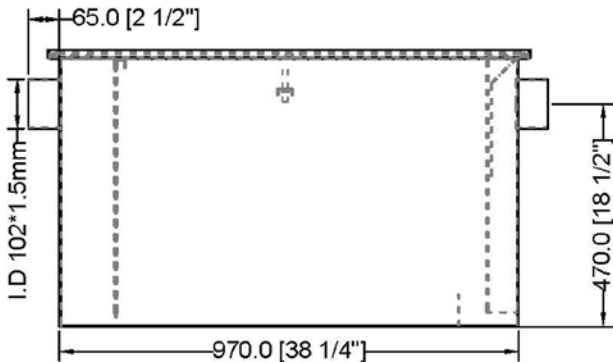
## GT-50

Technical Drawing



## GT-75

Technical Drawing



Project | \_\_\_\_\_

Engineer | \_\_\_\_\_

Mechanical | \_\_\_\_\_

Representative | \_\_\_\_\_