




STAINLESS STEEL WORK TABLES

ICE AGE REFRIGERATION INC

121 McLean Drive, Vancouver BC, Canada

 If the data and structure update, without notice, subject to material object.



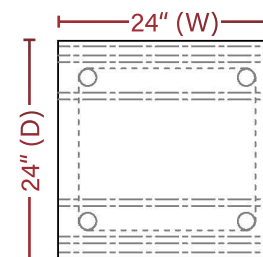
Stainless Steel Work Table

WTS-2424

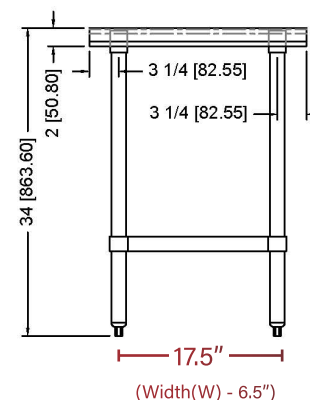
Size:	24" D x 24" W x 34" H
Weight	35 lbs
Width	24 inches
Shipping Size	26" L x 26" W x 3" H

WTS-2424
Technical Drawing

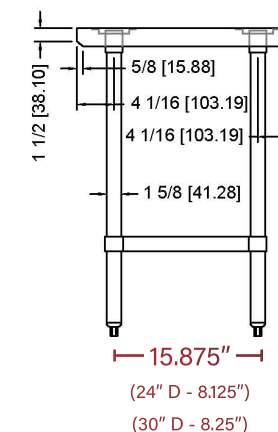
TOP VIEW



FRONT VIEW



SIDE VIEW



Work Table, 24" x 24"

Features



- ✓ Premium 18 Gauge Type 304 stainless steel for durability.
- ✓ TIG welding for the top.
- ✓ Entire top surface polished to a smooth satin finish.
- ✓ Built to surpass industry reinforcement standards.
- ✓ Galvanized hat channels attached with structural adhesive and weld studs.
- ✓ Gussets welded for hat section support.
- ✓ Edges are hemmed for added strength and safety.
- ✓ Worktables standard height is 34".
- ✓ Galvanized legs and undershelf offer durability and cost-effectiveness.
- ✓ Reinforced leg sockets made from die-cast for added stability.
- ✓ Leg diameter is 1 5/8".
- ✓ ABS bullet feet are adjustable to level on uneven floors.

Model	Shipping Demimensions	Product Size	Width	Weight
WTS-2424	26" L x 26" W x 3" H	24" D x 24" W x 34" H	24 inches	35 lbs
WTS-2430	32" L x 26" W x 3" H	24" D x 30" W x 34" H	30 inches	40 lbs
WTS-2436	38" L x 26" W x 3" H	24" D x 36" W x 34" H	36 inches	46 lbs
WTS-2448	50" L x 26" W x 3" H	24" D x 48" W x 34" H	48 inches	56 lbs
WTS-2460	62" L x 26" W x 3" H	24" D x 60" W x 34" H	60 inches	66 lbs
WTS-2472	74" L x 26" W x 3" H	24" D x 72" W x 34" H	72 inches	76 lbs
WTS-3015	32" L x 17" W x 3" H	30" D x 15" W x 34" H	30 inches	33 lbs
WTS-3024	32" L x 26" W x 3" H	30" D x 24" W x 34" H	30 inches	38 lbs
WTS-3030	32" L x 32" W x 3" H	30" D x 30" W x 34" H	30 inches	43 lbs
WTS-3036	38" L x 32" W x 3" H	30" D x 36" W x 34" H	36 inches	49 lbs
WTS-3048	50" L x 32" W x 3" H	30" D x 48" W x 34" H	48 inches	59 lbs
WTS-3060	62" L x 32" W x 3" H	30" D x 60" W x 34" H	60 inches	70 lbs
WTS-3072	74" L x 32" W x 3" H	30" D x 72" W x 34" H	72 inches	80 lbs

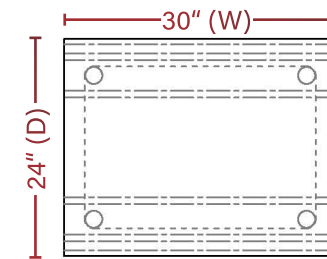


Stainless Steel Work Table

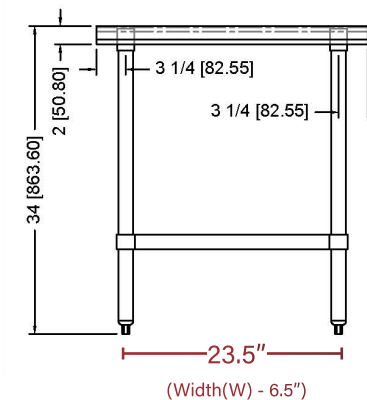
WTS-2430

Size:	24" D x 30" W x 34" H
Weight	40 lbs
Width	30 inches
Shipping Size	32" L x 26" W x 3" H

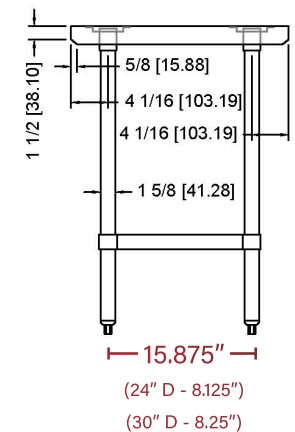
TOP VIEW



FRONT VIEW



SIDE VIEW



WTS-2430
Technical Drawing

Work Table, 24" x 30"

Features



- ✓ Premium 18 Gauge Type 304 stainless steel for durability.
- ✓ TIG welding for the top.
- ✓ Entire top surface polished to a smooth satin finish.
- ✓ Built to surpass industry reinforcement standards.
- ✓ Galvanized hat channels attached with structural adhesive and weld studs.
- ✓ Gussets welded for hat section support.
- ✓ Edges are hemmed for added strength and safety.
- ✓ Worktables standard height is 34".
- ✓ Galvanized legs and undershelf offer durability and cost-effectiveness.
- ✓ Reinforced leg sockets made from die-cast for added stability.
- ✓ Leg diameter is 1 5/8".
- ✓ ABS bullet feet are adjustable to level on uneven floors.

Model	Shipping Demimensions	Product Size	Width	Weight
WTS-2424	26" L x 26" W x 3" H	24" D x 24" W x 34" H	24 inches	35 lbs
WTS-2430	32" L x 26" W x 3" H	24" D x 30" W x 34" H	30 inches	40 lbs
WTS-2436	38" L x 26" W x 3" H	24" D x 36" W x 34" H	36 inches	46 lbs
WTS-2448	50" L x 26" W x 3" H	24" D x 48" W x 34" H	48 inches	56 lbs
WTS-2460	62" L x 26" W x 3" H	24" D x 60" W x 34" H	60 inches	66 lbs
WTS-2472	74" L x 26" W x 3" H	24" D x 72" W x 34" H	72 inches	76 lbs
WTS-3015	32" L x 17" W x 3" H	30" D x 15" W x 34" H	30 inches	33 lbs
WTS-3024	32" L x 26" W x 3" H	30" D x 24" W x 34" H	30 inches	38 lbs
WTS-3030	32" L x 32" W x 3" H	30" D x 30" W x 34" H	30 inches	43 lbs
WTS-3036	38" L x 32" W x 3" H	30" D x 36" W x 34" H	36 inches	49 lbs
WTS-3048	50" L x 32" W x 3" H	30" D x 48" W x 34" H	48 inches	59 lbs
WTS-3060	62" L x 32" W x 3" H	30" D x 60" W x 34" H	60 inches	70 lbs
WTS-3072	74" L x 32" W x 3" H	30" D x 72" W x 34" H	72 inches	80 lbs



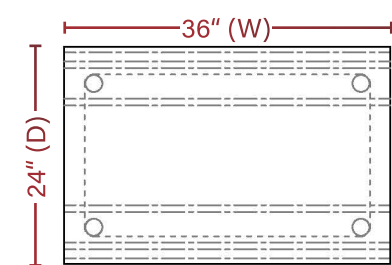
Stainless Steel Work Table

WTS-2436

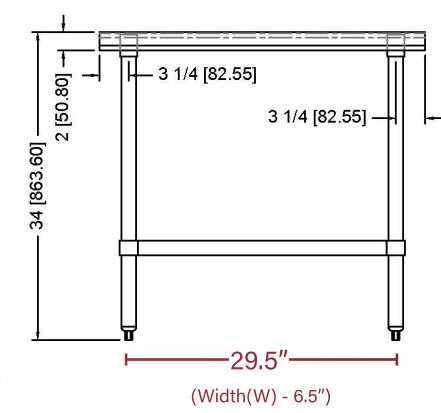
Size:	24" D x 36" W x 34" H
Weight	46 lbs
Width	36 inches
Shipping Size	38" L x 26" W x 3" H

WTS-2436
Technical Drawing

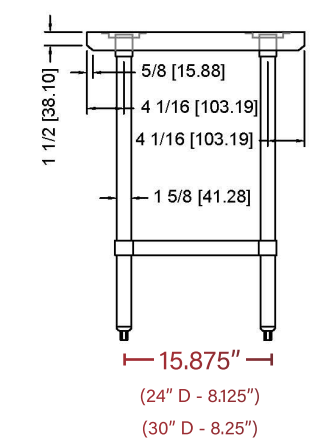
TOP VIEW



FRONT VIEW



SIDE VIEW



Work Table, 24" x 36"

Features



- ✓ Premium 18 Gauge Type 304 stainless steel for durability.
- ✓ TIG welding for the top.
- ✓ Entire top surface polished to a smooth satin finish.
- ✓ Built to surpass industry reinforcement standards.
- ✓ Galvanized hat channels attached with structural adhesive and weld studs.
- ✓ Gussets welded for hat section support.
- ✓ Edges are hemmed for added strength and safety.
- ✓ Worktables standard height is 34".
- ✓ Galvanized legs and undershelf offer durability and cost-effectiveness.
- ✓ Reinforced leg sockets made from die-cast for added stability.
- ✓ Leg diameter is 1 5/8".
- ✓ ABS bullet feet are adjustable to level on uneven floors.

Model	Shipping Demimensions	Product Size	Width	Weight
WTS-2424	26" L x 26" W x 3" H	24" D x 24" W x 34" H	24 inches	35 lbs
WTS-2430	32" L x 26" W x 3" H	24" D x 30" W x 34" H	30 inches	40 lbs
WTS-2436	38" L x 26" W x 3" H	24" D x 36" W x 34" H	36 inches	46 lbs
WTS-2448	50" L x 26" W x 3" H	24" D x 48" W x 34" H	48 inches	56 lbs
WTS-2460	62" L x 26" W x 3" H	24" D x 60" W x 34" H	60 inches	66 lbs
WTS-2472	74" L x 26" W x 3" H	24" D x 72" W x 34" H	72 inches	76 lbs
WTS-3015	32" L x 17" W x 3" H	30" D x 15" W x 34" H	30 inches	33 lbs
WTS-3024	32" L x 26" W x 3" H	30" D x 24" W x 34" H	30 inches	38 lbs
WTS-3030	32" L x 32" W x 3" H	30" D x 30" W x 34" H	30 inches	43 lbs
WTS-3036	38" L x 32" W x 3" H	30" D x 36" W x 34" H	36 inches	49 lbs
WTS-3048	50" L x 32" W x 3" H	30" D x 48" W x 34" H	48 inches	59 lbs
WTS-3060	62" L x 32" W x 3" H	30" D x 60" W x 34" H	60 inches	70 lbs
WTS-3072	74" L x 32" W x 3" H	30" D x 72" W x 34" H	72 inches	80 lbs

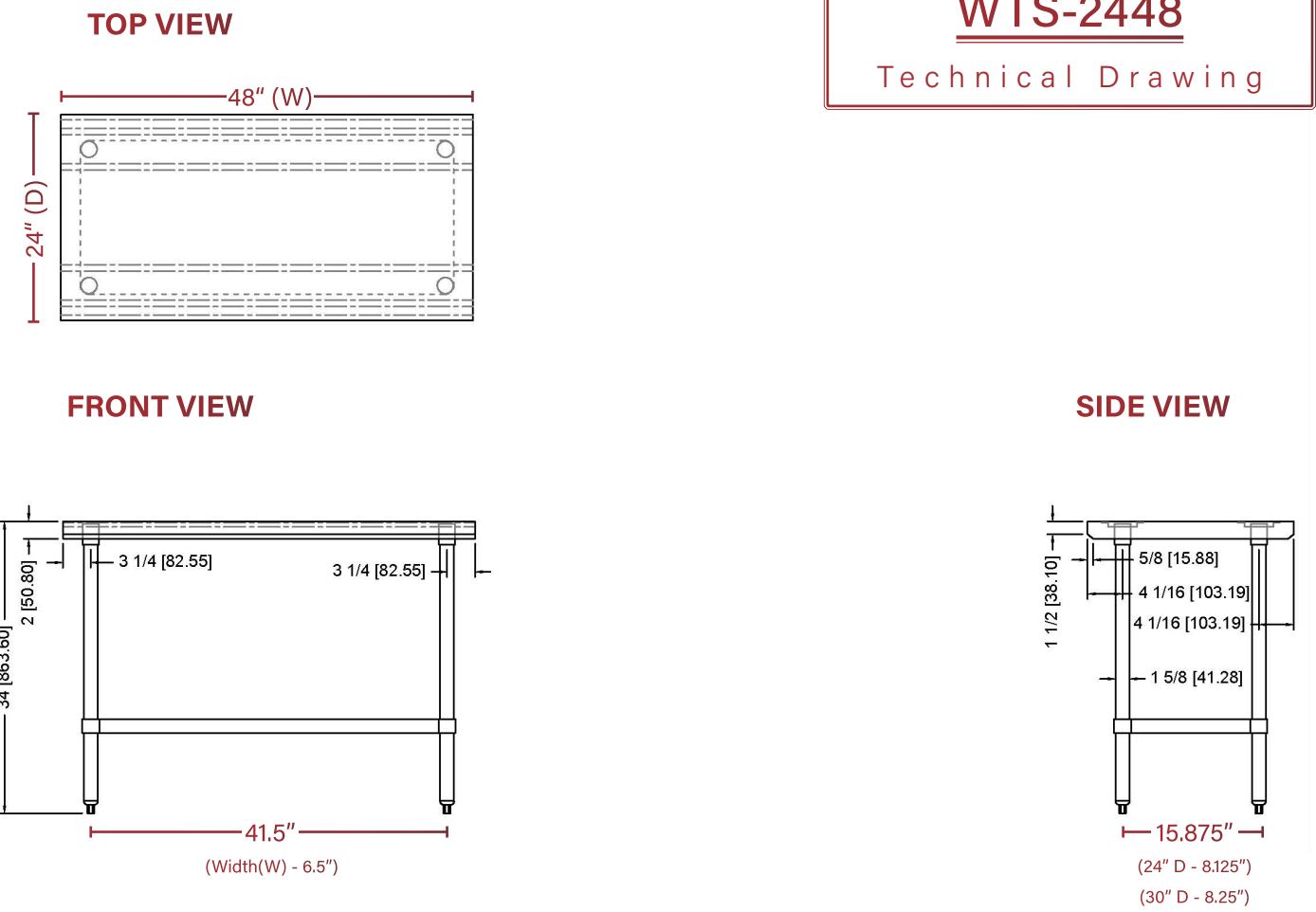


Stainless Steel Work Table

WTS-2448

Size:	24" D x 48" W x 34" H
Weight	56 lbs
Width	48 inches
Shipping Size	50" L x 26" W x 3" H

WTS-2448
Technical Drawing



Work Table, 24" x 48"

Features



- ✓ Premium 18 Gauge Type 304 stainless steel for durability.
- ✓ TIG welding for the top.
- ✓ Entire top surface polished to a smooth satin finish.
- ✓ Built to surpass industry reinforcement standards.
- ✓ Galvanized hat channels attached with structural adhesive and weld studs.
- ✓ Gussets welded for hat section support.
- ✓ Edges are hemmed for added strength and safety.
- ✓ Worktables standard height is 34".
- ✓ Galvanized legs and undershelf offer durability and cost-effectiveness.
- ✓ Reinforced leg sockets made from die-cast for added stability.
- ✓ Leg diameter is 1 5/8".
- ✓ ABS bullet feet are adjustable to level on uneven floors.

Model	Shipping Demimensions	Product Size	Width	Weight
WTS-2424	26" L x 26" W x 3" H	24" D x 24" W x 34" H	24 inches	35 lbs
WTS-2430	32" L x 26" W x 3" H	24" D x 30" W x 34" H	30 inches	40 lbs
WTS-2436	38" L x 26" W x 3" H	24" D x 36" W x 34" H	36 inches	46 lbs
WTS-2448	50" L x 26" W x 3" H	24" D x 48" W x 34" H	48 inches	56 lbs
WTS-2460	62" L x 26" W x 3" H	24" D x 60" W x 34" H	60 inches	66 lbs
WTS-2472	74" L x 26" W x 3" H	24" D x 72" W x 34" H	72 inches	76 lbs
WTS-3015	32" L x 17" W x 3" H	30" D x 15" W x 34" H	30 inches	33 lbs
WTS-3024	32" L x 26" W x 3" H	30" D x 24" W x 34" H	30 inches	38 lbs
WTS-3030	32" L x 32" W x 3" H	30" D x 30" W x 34" H	30 inches	43 lbs
WTS-3036	38" L x 32" W x 3" H	30" D x 36" W x 34" H	36 inches	49 lbs
WTS-3048	50" L x 32" W x 3" H	30" D x 48" W x 34" H	48 inches	59 lbs
WTS-3060	62" L x 32" W x 3" H	30" D x 60" W x 34" H	60 inches	70 lbs
WTS-3072	74" L x 32" W x 3" H	30" D x 72" W x 34" H	72 inches	80 lbs

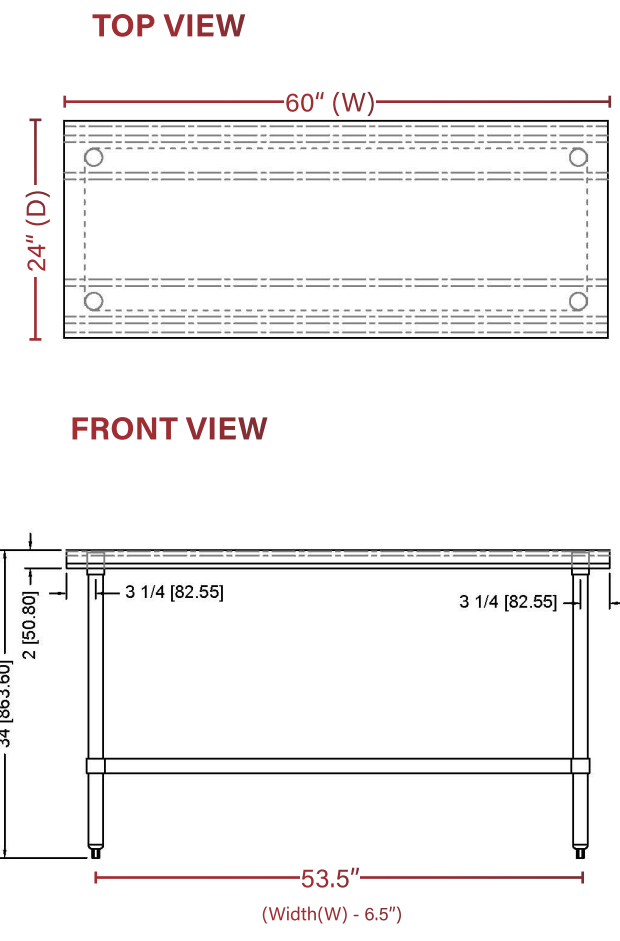


Stainless Steel Work Table

WTS-2460

Size:	24" D x 60" W x 34" H
Weight	66 lbs
Width	60 inches
Shipping Size	62" L x 26" W x 3" H

WTS-2460
Technical Drawing



Work Table, 24" x 60"

Features



- ✓ Premium 18 Gauge Type 304 stainless steel for durability.
- ✓ TIG welding for the top.
- ✓ Entire top surface polished to a smooth satin finish.
- ✓ Built to surpass industry reinforcement standards.
- ✓ Galvanized hat channels attached with structural adhesive and weld studs.
- ✓ Gussets welded for hat section support.
- ✓ Edges are hemmed for added strength and safety.
- ✓ Worktables standard height is 34".
- ✓ Galvanized legs and undershelf offer durability and cost-effectiveness.
- ✓ Reinforced leg sockets made from die-cast for added stability.
- ✓ Leg diameter is 1 5/8".
- ✓ ABS bullet feet are adjustable to level on uneven floors.

Model	Shipping Demimensions	Product Size	Width	Weight
WTS-2424	26" L x 26" W x 3" H	24" D x 24" W x 34" H	24 inches	35 lbs
WTS-2430	32" L x 26" W x 3" H	24" D x 30" W x 34" H	30 inches	40 lbs
WTS-2436	38" L x 26" W x 3" H	24" D x 36" W x 34" H	36 inches	46 lbs
WTS-2448	50" L x 26" W x 3" H	24" D x 48" W x 34" H	48 inches	56 lbs
WTS-2460	62" L x 26" W x 3" H	24" D x 60" W x 34" H	60 inches	66 lbs
WTS-2472	74" L x 26" W x 3" H	24" D x 72" W x 34" H	72 inches	76 lbs
WTS-3015	32" L x 17" W x 3" H	30" D x 15" W x 34" H	30 inches	33 lbs
WTS-3024	32" L x 26" W x 3" H	30" D x 24" W x 34" H	30 inches	38 lbs
WTS-3030	32" L x 32" W x 3" H	30" D x 30" W x 34" H	30 inches	43 lbs
WTS-3036	38" L x 32" W x 3" H	30" D x 36" W x 34" H	36 inches	49 lbs
WTS-3048	50" L x 32" W x 3" H	30" D x 48" W x 34" H	48 inches	59 lbs
WTS-3060	62" L x 32" W x 3" H	30" D x 60" W x 34" H	60 inches	70 lbs
WTS-3072	74" L x 32" W x 3" H	30" D x 72" W x 34" H	72 inches	80 lbs



Stainless Steel Work Table

WTS-2472

Size:	24" D x 72" W x 34" H
Weight	76 lbs
Width	72 inches
Shipping Size	74" L x 26" W x 3" H

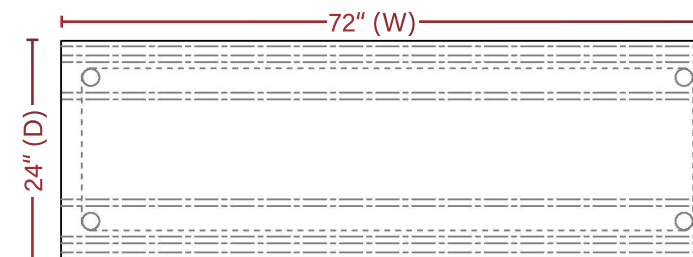
Work Table, 24" x 72"

Features

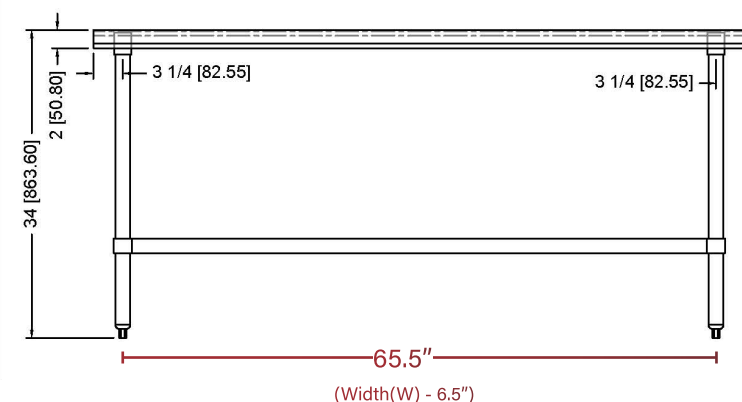


- Premium 18 Gauge Type 304 stainless steel for durability.
- Edges are hemmed for added strength and safety.
- TIG welding for the top.
- Worktables standard height is 34".
- Entire top surface polished to a smooth satin finish.
- Galvanized legs and undershelf offer durability and cost-effectiveness.
- Built to surpass industry reinforcement standards.
- Reinforced leg sockets made from die-cast for added stability.
- Galvanized hat channels attached with structural adhesive and weld studs.
- Leg diameter is 1 5/8".
- Gussets welded for hat section support.
- ABS bullet feet are adjustable to level on uneven floors.

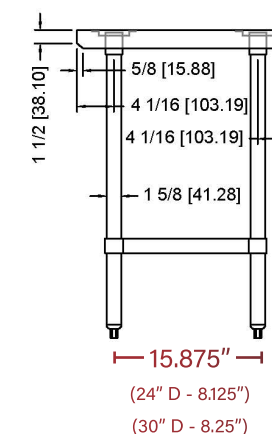
TOP VIEW



FRONT VIEW



SIDE VIEW



WTS-2472 Technical Drawing

Model	Shipping Demimensions	Product Size	Width	Weight
WTS-2424	26" L x 26" W x 3" H	24" D x 24" W x 34" H	24 inches	35 lbs
WTS-2430	32" L x 26" W x 3" H	24" D x 30" W x 34" H	30 inches	40 lbs
WTS-2436	38" L x 26" W x 3" H	24" D x 36" W x 34" H	36 inches	46 lbs
WTS-2448	50" L x 26" W x 3" H	24" D x 48" W x 34" H	48 inches	56 lbs
WTS-2460	62" L x 26" W x 3" H	24" D x 60" W x 34" H	60 inches	66 lbs
WTS-2472	74" L x 26" W x 3" H	24" D x 72" W x 34" H	72 inches	76 lbs
WTS-3015	32" L x 17" W x 3" H	30" D x 15" W x 34" H	30 inches	33 lbs
WTS-3024	32" L x 26" W x 3" H	30" D x 24" W x 34" H	30 inches	38 lbs
WTS-3030	32" L x 32" W x 3" H	30" D x 30" W x 34" H	30 inches	43 lbs
WTS-3036	38" L x 32" W x 3" H	30" D x 36" W x 34" H	36 inches	49 lbs
WTS-3048	50" L x 32" W x 3" H	30" D x 48" W x 34" H	48 inches	59 lbs
WTS-3060	62" L x 32" W x 3" H	30" D x 60" W x 34" H	60 inches	70 lbs
WTS-3072	74" L x 32" W x 3" H	30" D x 72" W x 34" H	72 inches	80 lbs

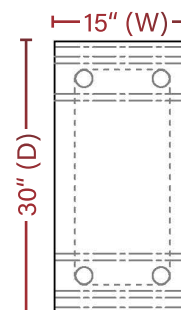


Stainless Steel Work Table

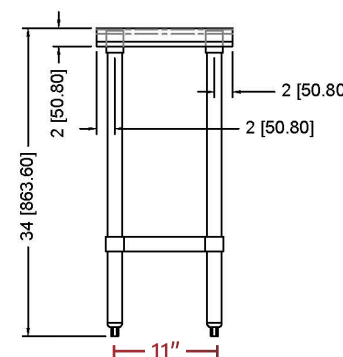
WTS-3015

Size:	30" D x 15" W x 34" H
Weight	33 lbs
Width	15 inches
Shipping Size	32" L x 17" W x 3" H

TOP VIEW



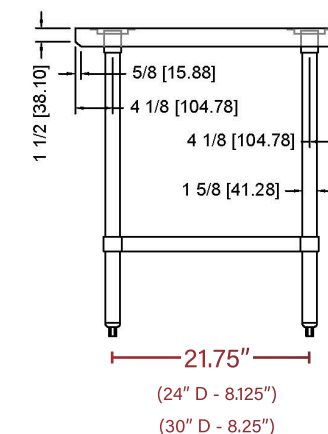
FRONT VIEW



WTS-3015

Technical Drawing

SIDE VIEW



Work Table, 30" x 15"

Features



- ✓ Premium 18 Gauge Type 304 stainless steel for durability.
- ✓ TIG welding for the top.
- ✓ Entire top surface polished to a smooth satin finish.
- ✓ Built to surpass industry reinforcement standards.
- ✓ Galvanized hat channels attached with structural adhesive and weld studs.
- ✓ Gussets welded for hat section support.
- ✓ Edges are hemmed for added strength and safety.
- ✓ Worktables standard height is 34".
- ✓ Galvanized legs and undershelf offer durability and cost-effectiveness.
- ✓ Reinforced leg sockets made from die-cast for added stability.
- ✓ Leg diameter is 1 5/8".
- ✓ ABS bullet feet are adjustable to level on uneven floors.

Model	Shipping Demimensions	Product Size	Width	Weight
WTS-2424	26" L x 26" W x 3" H	24" D x 24" W x 34" H	24 inches	35 lbs
WTS-2430	32" L x 26" W x 3" H	24" D x 30" W x 34" H	30 inches	40 lbs
WTS-2436	38" L x 26" W x 3" H	24" D x 36" W x 34" H	36 inches	46 lbs
WTS-2448	50" L x 26" W x 3" H	24" D x 48" W x 34" H	48 inches	56 lbs
WTS-2460	62" L x 26" W x 3" H	24" D x 60" W x 34" H	60 inches	66 lbs
WTS-2472	74" L x 26" W x 3" H	24" D x 72" W x 34" H	72 inches	76 lbs
WTS-3015	32" L x 17" W x 3" H	30" D x 15" W x 34" H	30 inches	33 lbs
WTS-3024	32" L x 26" W x 3" H	30" D x 24" W x 34" H	30 inches	38 lbs
WTS-3030	32" L x 32" W x 3" H	30" D x 30" W x 34" H	30 inches	43 lbs
WTS-3036	38" L x 32" W x 3" H	30" D x 36" W x 34" H	36 inches	49 lbs
WTS-3048	50" L x 32" W x 3" H	30" D x 48" W x 34" H	48 inches	59 lbs
WTS-3060	62" L x 32" W x 3" H	30" D x 60" W x 34" H	60 inches	70 lbs
WTS-3072	74" L x 32" W x 3" H	30" D x 72" W x 34" H	72 inches	80 lbs

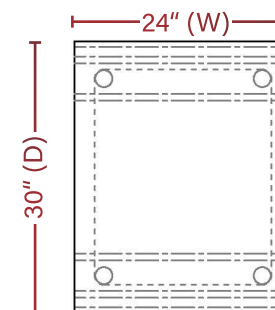


Stainless Steel Work Table

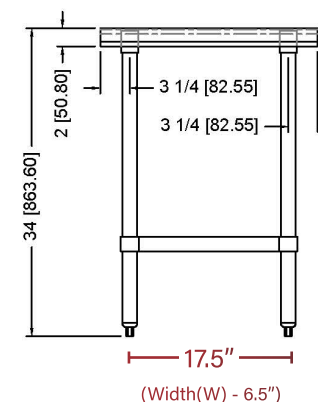
WTS-3024

Size:	30" D x 24" W x 34" H
Weight	38 lbs
Width	24 inches
Shipping Size	32" L x 26" W x 3" H

TOP VIEW



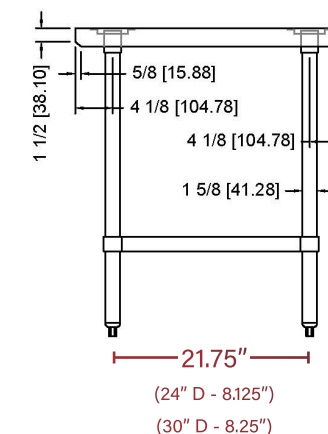
FRONT VIEW



WTS-3024

Technical Drawing

SIDE VIEW



Work Table, 30" x 24"

Features



- ✓ Premium 18 Gauge Type 304 stainless steel for durability.
- ✓ TIG welding for the top.
- ✓ Entire top surface polished to a smooth satin finish.
- ✓ Built to surpass industry reinforcement standards.
- ✓ Galvanized hat channels attached with structural adhesive and weld studs.
- ✓ Gussets welded for hat section support.
- ✓ Edges are hemmed for added strength and safety.
- ✓ Worktables standard height is 34".
- ✓ Galvanized legs and undershelf offer durability and cost-effectiveness.
- ✓ Reinforced leg sockets made from die-cast for added stability.
- ✓ Leg diameter is 1 5/8".
- ✓ ABS bullet feet are adjustable to level on uneven floors.

Model	Shipping Demimensions	Product Size	Width	Weight
WTS-2424	26" L x 26" W x 3" H	24" D x 24" W x 34" H	24 inches	35 lbs
WTS-2430	32" L x 26" W x 3" H	24" D x 30" W x 34" H	30 inches	40 lbs
WTS-2436	38" L x 26" W x 3" H	24" D x 36" W x 34" H	36 inches	46 lbs
WTS-2448	50" L x 26" W x 3" H	24" D x 48" W x 34" H	48 inches	56 lbs
WTS-2460	62" L x 26" W x 3" H	24" D x 60" W x 34" H	60 inches	66 lbs
WTS-2472	74" L x 26" W x 3" H	24" D x 72" W x 34" H	72 inches	76 lbs
WTS-3015	32" L x 17" W x 3" H	30" D x 15" W x 34" H	30 inches	33 lbs
WTS-3024	32" L x 26" W x 3" H	30" D x 24" W x 34" H	30 inches	38 lbs
WTS-3030	32" L x 32" W x 3" H	30" D x 30" W x 34" H	30 inches	43 lbs
WTS-3036	38" L x 32" W x 3" H	30" D x 36" W x 34" H	36 inches	49 lbs
WTS-3048	50" L x 32" W x 3" H	30" D x 48" W x 34" H	48 inches	59 lbs
WTS-3060	62" L x 32" W x 3" H	30" D x 60" W x 34" H	60 inches	70 lbs
WTS-3072	74" L x 32" W x 3" H	30" D x 72" W x 34" H	72 inches	80 lbs

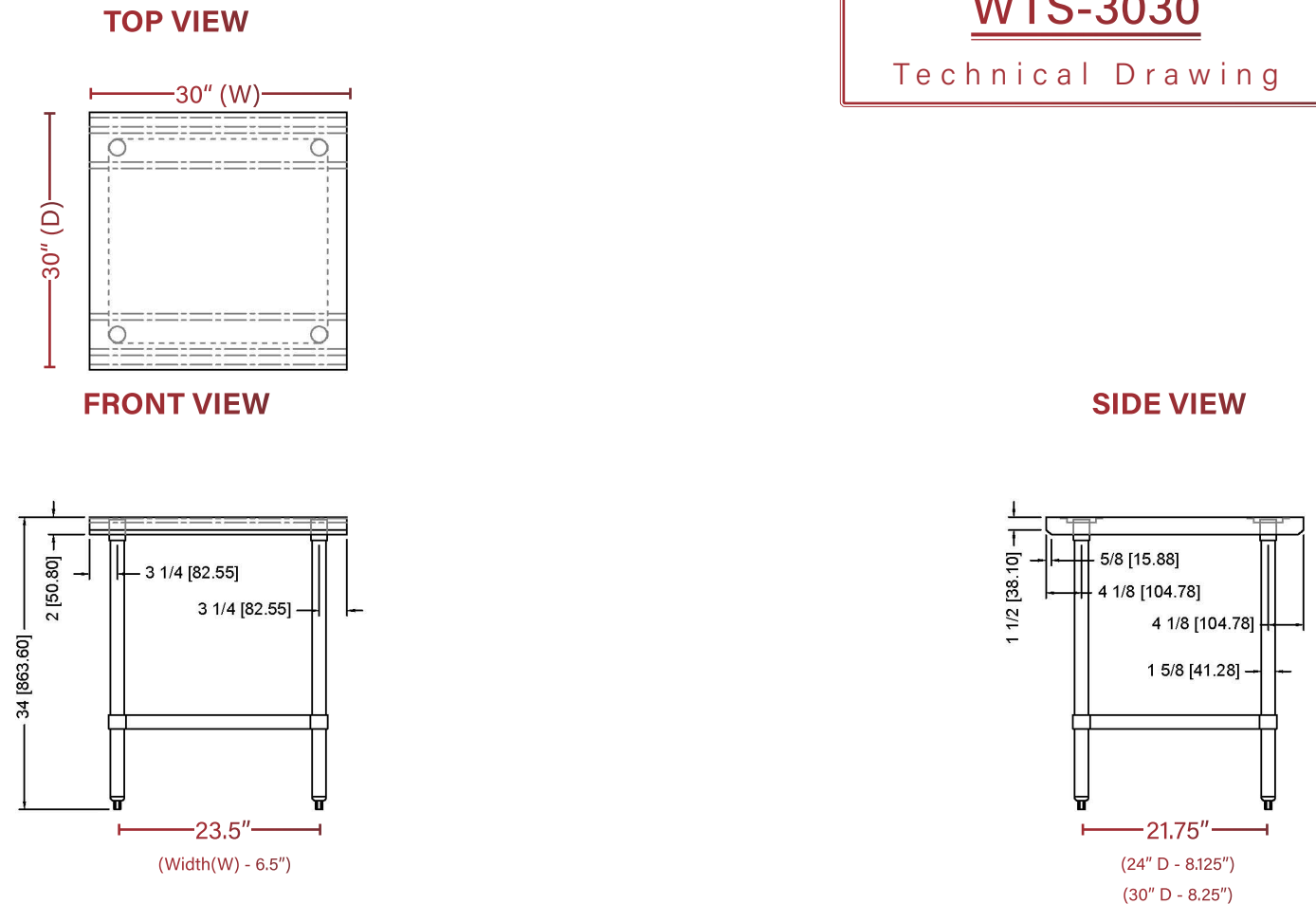


Stainless Steel Work Table

WTS-3030

Size:	30" D x 30" W x 34" H
Weight	43 lbs
Width	30 inches
Shipping Size	32" L x 32" W x 3" H

WTS-3030
Technical Drawing



Work Table, 30" x 30"

Features



- ✓ Premium 18 Gauge Type 304 stainless steel for durability.
- ✓ TIG welding for the top.
- ✓ Entire top surface polished to a smooth satin finish.
- ✓ Built to surpass industry reinforcement standards.
- ✓ Galvanized hat channels attached with structural adhesive and weld studs.
- ✓ Gussets welded for hat section support.
- ✓ Edges are hemmed for added strength and safety.
- ✓ Worktables standard height is 34".
- ✓ Galvanized legs and undershelf offer durability and cost-effectiveness.
- ✓ Reinforced leg sockets made from die-cast for added stability.
- ✓ Leg diameter is 1 5/8".
- ✓ ABS bullet feet are adjustable to level on uneven floors.

Model	Shipping Demimensions	Product Size	Width	Weight
WTS-2424	26" L x 26" W x 3" H	24" D x 24" W x 34" H	24 inches	35 lbs
WTS-2430	32" L x 26" W x 3" H	24" D x 30" W x 34" H	30 inches	40 lbs
WTS-2436	38" L x 26" W x 3" H	24" D x 36" W x 34" H	36 inches	46 lbs
WTS-2448	50" L x 26" W x 3" H	24" D x 48" W x 34" H	48 inches	56 lbs
WTS-2460	62" L x 26" W x 3" H	24" D x 60" W x 34" H	60 inches	66 lbs
WTS-2472	74" L x 26" W x 3" H	24" D x 72" W x 34" H	72 inches	76 lbs
WTS-3015	32" L x 17" W x 3" H	30" D x 15" W x 34" H	30 inches	33 lbs
WTS-3024	32" L x 26" W x 3" H	30" D x 24" W x 34" H	30 inches	38 lbs
WTS-3030	32" L x 32" W x 3" H	30" D x 30" W x 34" H	30 inches	43 lbs
WTS-3036	38" L x 32" W x 3" H	30" D x 36" W x 34" H	36 inches	49 lbs
WTS-3048	50" L x 32" W x 3" H	30" D x 48" W x 34" H	48 inches	59 lbs
WTS-3060	62" L x 32" W x 3" H	30" D x 60" W x 34" H	60 inches	70 lbs
WTS-3072	74" L x 32" W x 3" H	30" D x 72" W x 34" H	72 inches	80 lbs



Stainless Steel Work Table

WTS-3036

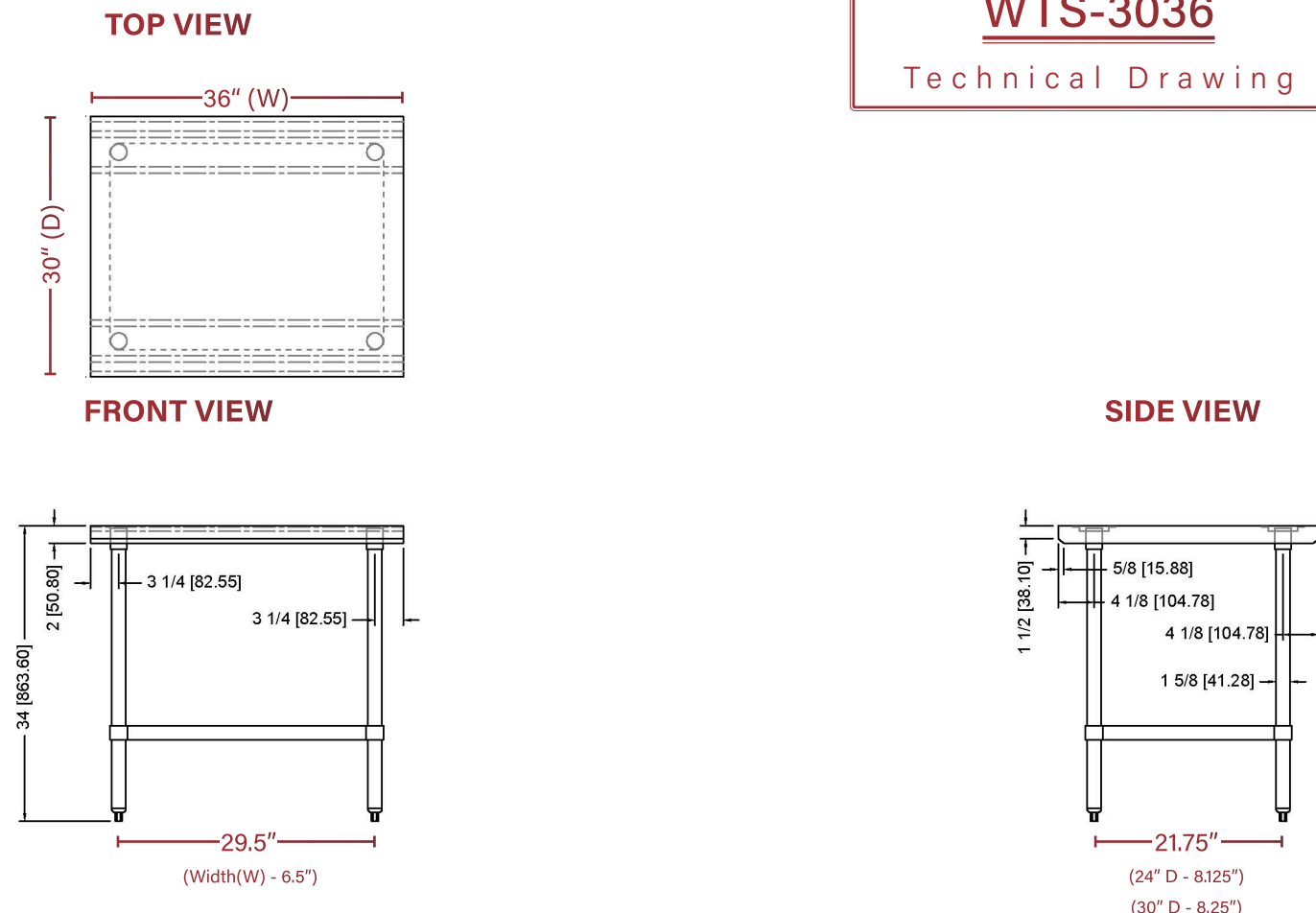
Size:	30" D x 36" W x 34" H
Weight	49 lbs
Width	36 inches
Shipping Size	38" L x 32" W x 3" H

Work Table, 30" x 36"

Features



- ✓ Premium 18 Gauge Type 304 stainless steel for durability.
- ✓ TIG welding for the top.
- ✓ Entire top surface polished to a smooth satin finish.
- ✓ Built to surpass industry reinforcement standards.
- ✓ Galvanized hat channels attached with structural adhesive and weld studs.
- ✓ Gussets welded for hat section support.
- ✓ Edges are hemmed for added strength and safety.
- ✓ Worktables standard height is 34".
- ✓ Galvanized legs and undershelf offer durability and cost-effectiveness.
- ✓ Reinforced leg sockets made from die-cast for added stability.
- ✓ Leg diameter is 1 5/8".
- ✓ ABS bullet feet are adjustable to level on uneven floors.



WTS-3036
Technical Drawing

Model	Shipping Demimensions	Product Size	Width	Weight
WTS-2424	26" L x 26" W x 3" H	24" D x 24" W x 34" H	24 inches	35 lbs
WTS-2430	32" L x 26" W x 3" H	24" D x 30" W x 34" H	30 inches	40 lbs
WTS-2436	38" L x 26" W x 3" H	24" D x 36" W x 34" H	36 inches	46 lbs
WTS-2448	50" L x 26" W x 3" H	24" D x 48" W x 34" H	48 inches	56 lbs
WTS-2460	62" L x 26" W x 3" H	24" D x 60" W x 34" H	60 inches	66 lbs
WTS-2472	74" L x 26" W x 3" H	24" D x 72" W x 34" H	72 inches	76 lbs
WTS-3015	32" L x 17" W x 3" H	30" D x 15" W x 34" H	30 inches	33 lbs
WTS-3024	32" L x 26" W x 3" H	30" D x 24" W x 34" H	30 inches	38 lbs
WTS-3030	32" L x 32" W x 3" H	30" D x 30" W x 34" H	30 inches	43 lbs
WTS-3036	38" L x 32" W x 3" H	30" D x 36" W x 34" H	36 inches	49 lbs
WTS-3048	50" L x 32" W x 3" H	30" D x 48" W x 34" H	48 inches	59 lbs
WTS-3060	62" L x 32" W x 3" H	30" D x 60" W x 34" H	60 inches	70 lbs
WTS-3072	74" L x 32" W x 3" H	30" D x 72" W x 34" H	72 inches	80 lbs

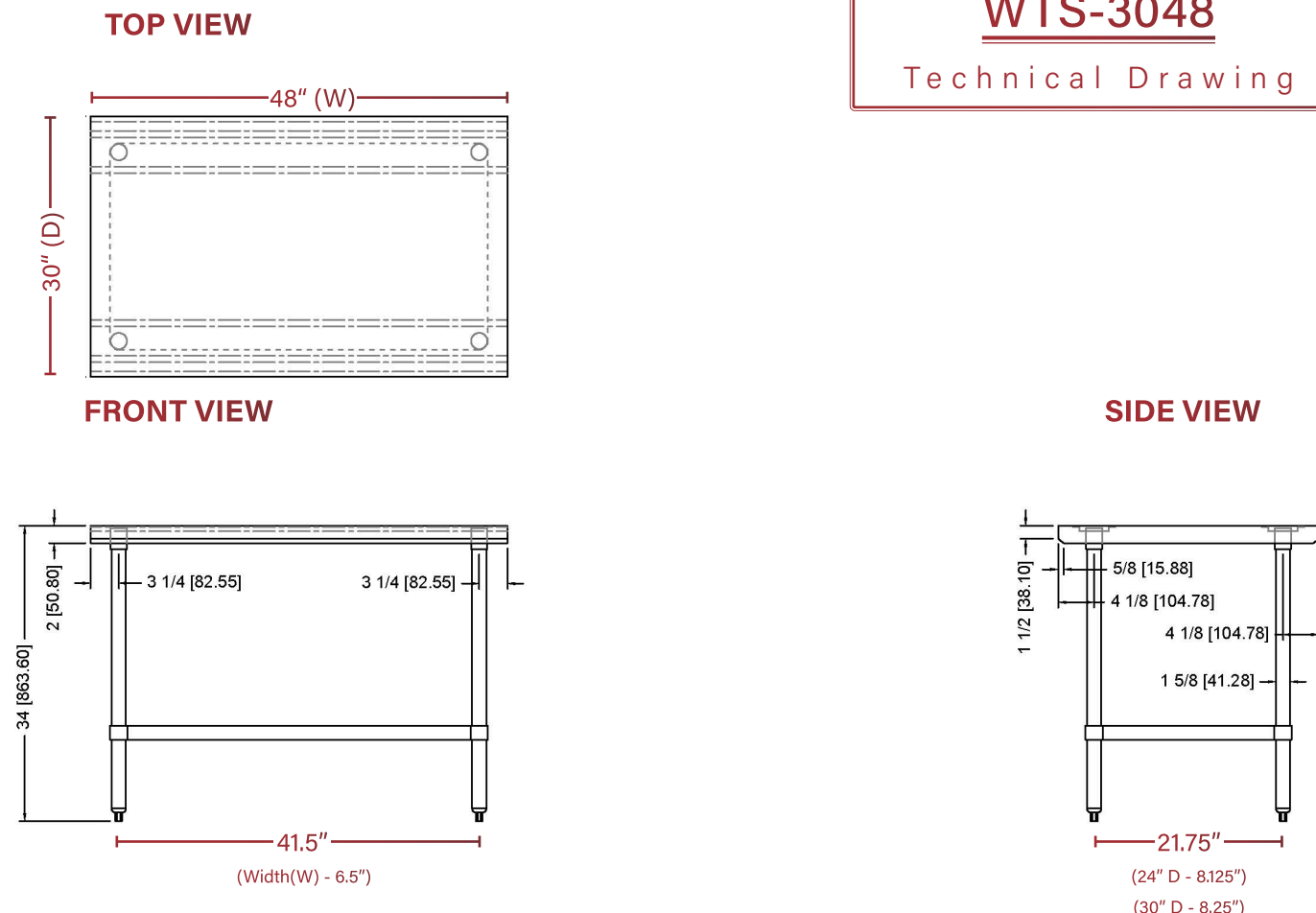


Stainless Steel Work Table

WTS-3048

Size:	30" D x 48" W x 34" H
Weight	59 lbs
Width	48 inches
Shipping Size	50" L x 32" W x 3" H

WTS-3048
Technical Drawing



Work Table, 30" x 48"

Features



- ✓ Premium 18 Gauge Type 304 stainless steel for durability.
- ✓ TIG welding for the top.
- ✓ Entire top surface polished to a smooth satin finish.
- ✓ Built to surpass industry reinforcement standards.
- ✓ Galvanized hat channels attached with structural adhesive and weld studs.
- ✓ Gussets welded for hat section support.
- ✓ Edges are hemmed for added strength and safety.
- ✓ Worktables standard height is 34".
- ✓ Galvanized legs and undershelf offer durability and cost-effectiveness.
- ✓ Reinforced leg sockets made from die-cast for added stability.
- ✓ Leg diameter is 1 5/8".
- ✓ ABS bullet feet are adjustable to level on uneven floors.

Model	Shipping Deminsions	Product Size	Width	Weight
WTS-2424	26" L x 26" W x 3" H	24" D x 24" W x 34" H	24 inches	35 lbs
WTS-2430	32" L x 26" W x 3" H	24" D x 30" W x 34" H	30 inches	40 lbs
WTS-2436	38" L x 26" W x 3" H	24" D x 36" W x 34" H	36 inches	46 lbs
WTS-2448	50" L x 26" W x 3" H	24" D x 48" W x 34" H	48 inches	56 lbs
WTS-2460	62" L x 26" W x 3" H	24" D x 60" W x 34" H	60 inches	66 lbs
WTS-2472	74" L x 26" W x 3" H	24" D x 72" W x 34" H	72 inches	76 lbs
WTS-3015	32" L x 17" W x 3" H	30" D x 15" W x 34" H	30 inches	33 lbs
WTS-3024	32" L x 26" W x 3" H	30" D x 24" W x 34" H	30 inches	38 lbs
WTS-3030	32" L x 32" W x 3" H	30" D x 30" W x 34" H	30 inches	43 lbs
WTS-3036	38" L x 32" W x 3" H	30" D x 36" W x 34" H	36 inches	49 lbs
WTS-3048	50" L x 32" W x 3" H	30" D x 48" W x 34" H	48 inches	59 lbs
WTS-3060	62" L x 32" W x 3" H	30" D x 60" W x 34" H	60 inches	70 lbs
WTS-3072	74" L x 32" W x 3" H	30" D x 72" W x 34" H	72 inches	80 lbs



Stainless Steel Work Table

WTS-3060

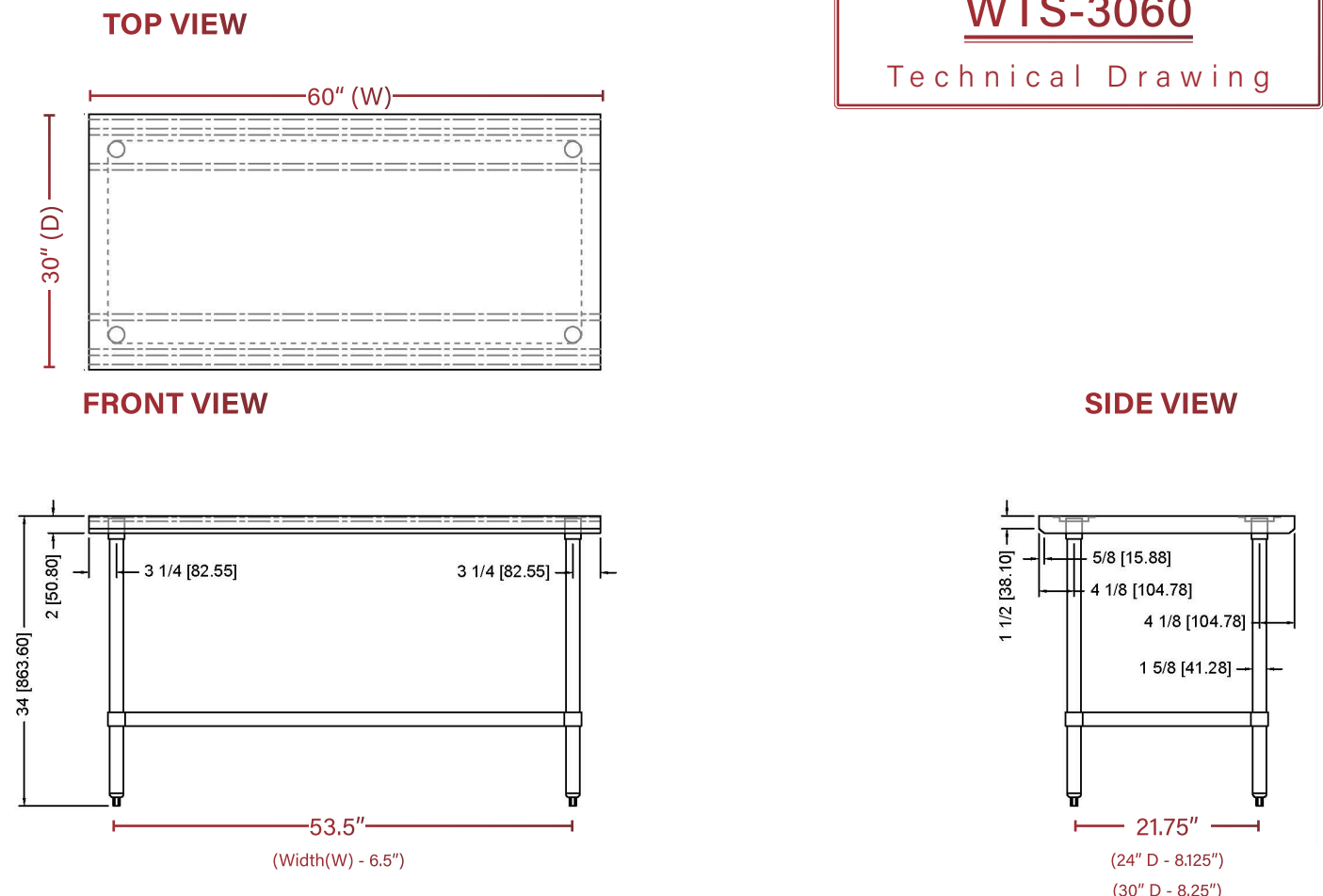
Size:	30" D x 60" W x 34" H
Weight	70 lbs
Width	60 inches
Shipping Size	62" L x 32" W x 3" H

Work Table, 30" x 60"

Features



- Premium 18 Gauge Type 304 stainless steel for durability.
- Edges are hemmed for added strength and safety.
- TIG welding for the top.
- Worktables standard height is 34".
- Entire top surface polished to a smooth satin finish.
- Galvanized legs and undershelf offer durability and cost-effectiveness.
- Built to surpass industry reinforcement standards.
- Reinforced leg sockets made from die-cast for added stability.
- Galvanized hat channels attached with structural adhesive and weld studs.
- Leg diameter is 1 5/8".
- Gussets welded for hat section support.
- ABS bullet feet are adjustable to level on uneven floors.



WTS-3060
Technical Drawing

Model	Shipping Demimensions	Product Size	Width	Weight
WTS-2424	26" L x 26" W x 3" H	24" D x 24" W x 34" H	24 inches	35 lbs
WTS-2430	32" L x 26" W x 3" H	24" D x 30" W x 34" H	30 inches	40 lbs
WTS-2436	38" L x 26" W x 3" H	24" D x 36" W x 34" H	36 inches	46 lbs
WTS-2448	50" L x 26" W x 3" H	24" D x 48" W x 34" H	48 inches	56 lbs
WTS-2460	62" L x 26" W x 3" H	24" D x 60" W x 34" H	60 inches	66 lbs
WTS-2472	74" L x 26" W x 3" H	24" D x 72" W x 34" H	72 inches	76 lbs
WTS-3015	32" L x 17" W x 3" H	30" D x 15" W x 34" H	30 inches	33 lbs
WTS-3024	32" L x 26" W x 3" H	30" D x 24" W x 34" H	30 inches	38 lbs
WTS-3030	32" L x 32" W x 3" H	30" D x 30" W x 34" H	30 inches	43 lbs
WTS-3036	38" L x 32" W x 3" H	30" D x 36" W x 34" H	36 inches	49 lbs
WTS-3048	50" L x 32" W x 3" H	30" D x 48" W x 34" H	48 inches	59 lbs
WTS-3060	62" L x 32" W x 3" H	30" D x 60" W x 34" H	60 inches	70 lbs
WTS-3072	74" L x 32" W x 3" H	30" D x 72" W x 34" H	72 inches	80 lbs



Stainless Steel Work Table

WTS-3072

Size:	30" D x 72" W x 34" H
Weight	80 lbs
Width	72 inches
Shipping Size	74" L x 32" W x 3" H

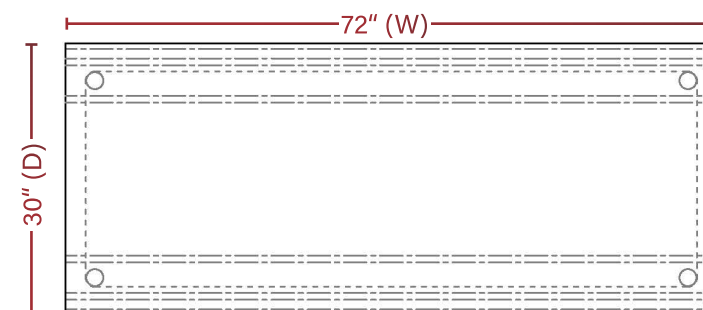
Work Table, 30" x 72"

Features

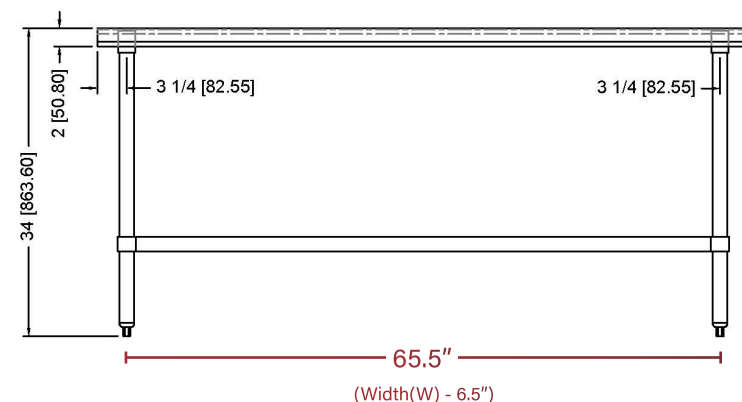


- Premium 18 Gauge Type 304 stainless steel for durability.
- Edges are hemmed for added strength and safety.
- TIG welding for the top.
- Worktables standard height is 34".
- Entire top surface polished to a smooth satin finish.
- Galvanized legs and undershelf offer durability and cost-effectiveness.
- Built to surpass industry reinforcement standards.
- Reinforced leg sockets made from die-cast for added stability.
- Galvanized hat channels attached with structural adhesive and weld studs.
- Leg diameter is 1 5/8".
- Gussets welded for hat section support.
- ABS bullet feet are adjustable to level on uneven floors.

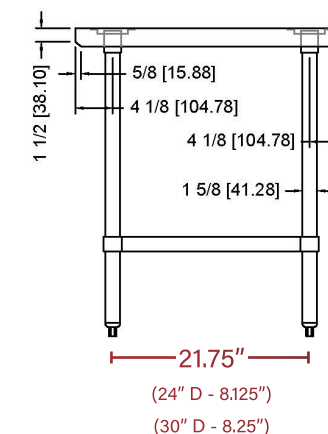
TOP VIEW



FRONT VIEW



SIDE VIEW



WTS-3072
Technical Drawing

Model	Shipping Demimensions	Product Size	Width	Weight
WTS-2424	26" L x 26" W x 3" H	24" D x 24" W x 34" H	24 inches	35 lbs
WTS-2430	32" L x 26" W x 3" H	24" D x 30" W x 34" H	30 inches	40 lbs
WTS-2436	38" L x 26" W x 3" H	24" D x 36" W x 34" H	36 inches	46 lbs
WTS-2448	50" L x 26" W x 3" H	24" D x 48" W x 34" H	48 inches	56 lbs
WTS-2460	62" L x 26" W x 3" H	24" D x 60" W x 34" H	60 inches	66 lbs
WTS-2472	74" L x 26" W x 3" H	24" D x 72" W x 34" H	72 inches	76 lbs
WTS-3015	32" L x 17" W x 3" H	30" D x 15" W x 34" H	30 inches	33 lbs
WTS-3024	32" L x 26" W x 3" H	30" D x 24" W x 34" H	30 inches	38 lbs
WTS-3030	32" L x 32" W x 3" H	30" D x 30" W x 34" H	30 inches	43 lbs
WTS-3036	38" L x 32" W x 3" H	30" D x 36" W x 34" H	36 inches	49 lbs
WTS-3048	50" L x 32" W x 3" H	30" D x 48" W x 34" H	48 inches	59 lbs
WTS-3060	62" L x 32" W x 3" H	30" D x 60" W x 34" H	60 inches	70 lbs
WTS-3072	74" L x 32" W x 3" H	30" D x 72" W x 34" H	72 inches	80 lbs



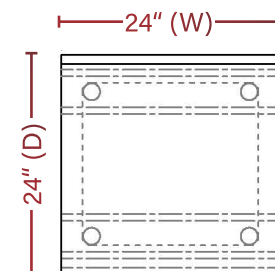
Stainless Steel Work Table

WTS-2424-BK

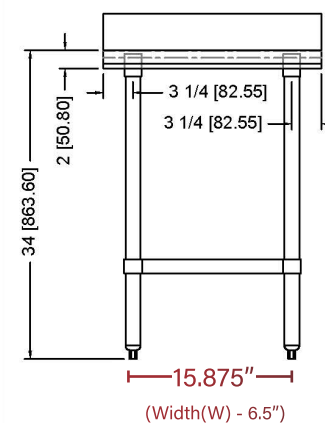
Size:	24" D x 24" W x 34" H
Weight	38 lbs
Width	24 inches
Shipping Size	27" L x 24" W x 7" H

WTS-2424-BK
Technical Drawing

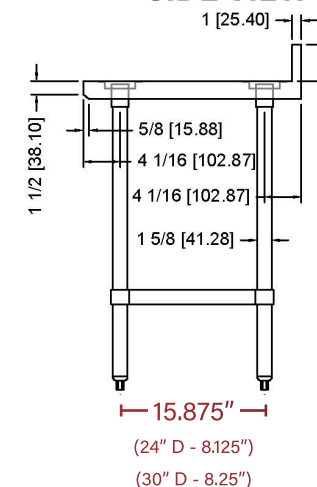
TOP VIEW



FRONT VIEW



SIDE VIEW



Work Table with Backsplash, 24"x24"

Features



- ✓ Premium 18 Gauge Type 304 stainless steel for durability.
- ✓ TIG welding for the top.
- ✓ Entire top surface polished to a smooth satin finish.
- ✓ Built to surpass industry reinforcement standards.
- ✓ Galvanized hat channels attached with structural adhesive and weld studs.
- ✓ Gussets welded for hat section support.
- ✓ Edges are hemmed for added strength and safety.
- ✓ Worktables standard height is 34" with an additional 4" backsplash riser.
- ✓ Galvanized legs and undershelf offer durability and cost-effectiveness.
- ✓ Reinforced leg sockets made from die-cast for added stability.
- ✓ Leg diameter is 1 5/8".
- ✓ ABS bullet feet are adjustable to level on uneven floors.

Model	Shipping Demimensions	Product Size	Width	Weight
WTS-2424-BK	27" L x 24" W x 7" H	24" D x 24" W x 34" H	24 inches	38 lbs
WTS-2430-BK	32" L x 27" W x 7" H	24" D x 30" W x 37" H	30 inches	43 lbs
WTS-2436-BK	38" L x 27" W x 7" H	24" D x 36" W x 37" H	36 inches	49 lbs
WTS-2448-BK	50" L x 27" W x 7" H	24" D x 48" W x 37" H	48 inches	59 lbs
WTS-2460-BK	62" L x 27" W x 7" H	24" D x 60" W x 37" H	60 inches	70 lbs
WTS-2472-BK	74" L x 27" W x 7" H	24" D x 72" W x 37" H	72 inches	80 lbs
WTS-3024-BK	32" L x 27" W x 7" H	30" D x 24" W x 37" H	24 inches	43 lbs
WTS-3030-BK	33" L x 33" W x 7" H	30" D x 30" W x 37" H	30 inches	49 lbs
WTS-3036-BK	38" L x 33" W x 7" H	30" D x 36" W x 37" H	36 inches	55 lbs
WTS-3048-BK	50" L x 33" W x 7" H	30" D x 48" W x 37" H	48 inches	67 lbs
WTS-3060-BK	62" L x 33" W x 7" H	30" D x 60" W x 37" H	60 inches	79 lbs
WTS-3072-BK	74" L x 33" W x 7" H	30" D x 72" W x 37" H	72 inches	92 lbs



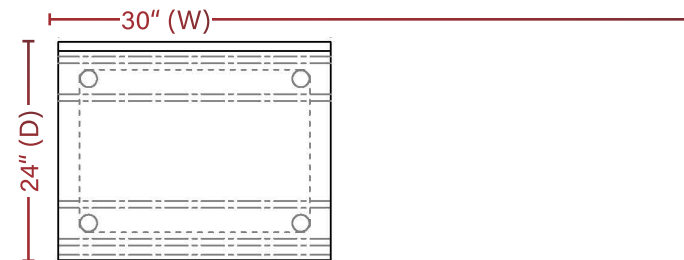
Stainless Steel Work Table

WTS-2430-BK

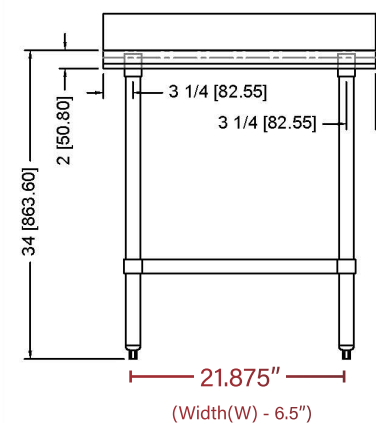
Size:	24" D x 30" W x 37" H
Weight	43 lbs
Width	30 inches
Shipping Size	32" L x 27" W x 7" H

WTS-2430-BK
Technical Drawing

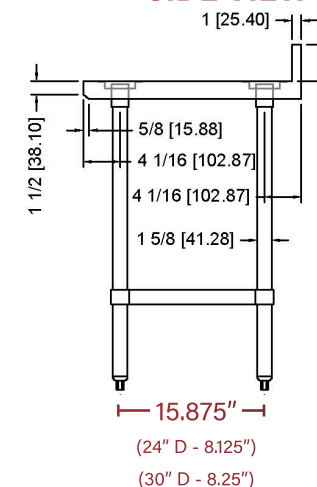
TOP VIEW



FRONT VIEW



SIDE VIEW



Work Table with Backsplash, 24"x30"

Features



- ✓ Premium 18 Gauge Type 304 stainless steel for durability.
- ✓ TIG welding for the top.
- ✓ Entire top surface polished to a smooth satin finish.
- ✓ Built to surpass industry reinforcement standards.
- ✓ Galvanized hat channels attached with structural adhesive and weld studs.
- ✓ Gussets welded for hat section support.
- ✓ Edges are hemmed for added strength and safety.
- ✓ Worktables standard height is 34" with an additional 4" backsplash riser.
- ✓ Galvanized legs and undershelf offer durability and cost-effectiveness.
- ✓ Reinforced leg sockets made from die-cast for added stability.
- ✓ Leg diameter is 1 5/8".
- ✓ ABS bullet feet are adjustable to level on uneven floors.

Model	Shipping Demimensions	Product Size	Width	Weight
WTS-2424-BK	27" L x 24" W x 7" H	24" D x 24" W x 34" H	24 inches	38 lbs
WTS-2430-BK	32" L x 27" W x 7" H	24" D x 30" W x 37" H	30 inches	43 lbs
WTS-2436-BK	38" L x 27" W x 7" H	24" D x 36" W x 37" H	36 inches	49 lbs
WTS-2448-BK	50" L x 27" W x 7" H	24" D x 48" W x 37" H	48 inches	59 lbs
WTS-2460-BK	62" L x 27" W x 7" H	24" D x 60" W x 37" H	60 inches	70 lbs
WTS-2472-BK	74" L x 27" W x 7" H	24" D x 72" W x 37" H	72 inches	80 lbs
WTS-3024-BK	32" L x 27" W x 7" H	30" D x 24" W x 37" H	24 inches	43 lbs
WTS-3030-BK	33" L x 33" W x 7" H	30" D x 30" W x 37" H	30 inches	49 lbs
WTS-3036-BK	38" L x 33" W x 7" H	30" D x 36" W x 37" H	36 inches	55 lbs
WTS-3048-BK	50" L x 33" W x 7" H	30" D x 48" W x 37" H	48 inches	67 lbs
WTS-3060-BK	62" L x 33" W x 7" H	30" D x 60" W x 37" H	60 inches	79 lbs
WTS-3072-BK	74" L x 33" W x 7" H	30" D x 72" W x 37" H	72 inches	92 lbs



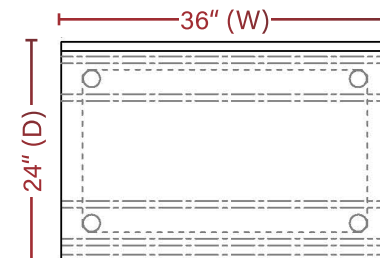
Stainless Steel Work Table

WTS-2436-BK

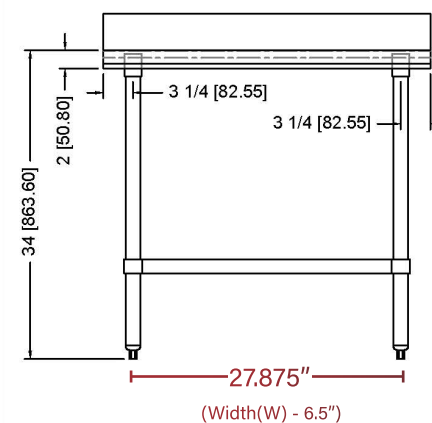
Size:	24" D x 36" W x 37" H
Weight	49 lbs
Width	36 inches
Shipping Size	38" L x 27" W x 7" H

WTS-2436-BK
Technical Drawing

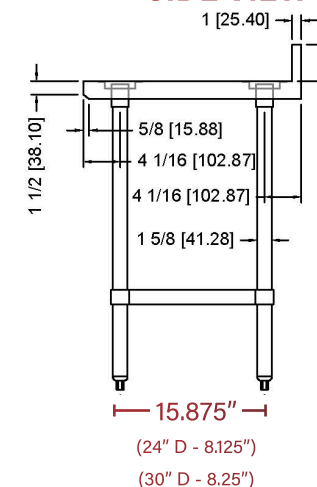
TOP VIEW



FRONT VIEW



SIDE VIEW



Work Table with Backsplash, 24"x36"

Features



- ✓ Premium 18 Gauge Type 304 stainless steel for durability.
- ✓ TIG welding for the top.
- ✓ Entire top surface polished to a smooth satin finish.
- ✓ Built to surpass industry reinforcement standards.
- ✓ Galvanized hat channels attached with structural adhesive and weld studs.
- ✓ Gussets welded for hat section support.
- ✓ Edges are hemmed for added strength and safety.
- ✓ Worktables standard height is 34" with an additional 4" backsplash riser.
- ✓ Galvanized legs and undershelf offer durability and cost-effectiveness.
- ✓ Reinforced leg sockets made from die-cast for added stability.
- ✓ Leg diameter is 1 5/8".
- ✓ ABS bullet feet are adjustable to level on uneven floors.

Model	Shipping Demimensions	Product Size	Width	Weight
WTS-2424-BK	27" L x 24" W x 7" H	24" D x 24" W x 34" H	24 inches	38 lbs
WTS-2430-BK	32" L x 27" W x 7" H	24" D x 30" W x 37" H	30 inches	43 lbs
WTS-2436-BK	38" L x 27" W x 7" H	24" D x 36" W x 37" H	36 inches	49 lbs
WTS-2448-BK	50" L x 27" W x 7" H	24" D x 48" W x 37" H	48 inches	59 lbs
WTS-2460-BK	62" L x 27" W x 7" H	24" D x 60" W x 37" H	60 inches	70 lbs
WTS-2472-BK	74" L x 27" W x 7" H	24" D x 72" W x 37" H	72 inches	80 lbs
WTS-3024-BK	32" L x 27" W x 7" H	30" D x 24" W x 37" H	24 inches	43 lbs
WTS-3030-BK	33" L x 33" W x 7" H	30" D x 30" W x 37" H	30 inches	49 lbs
WTS-3036-BK	38" L x 33" W x 7" H	30" D x 36" W x 37" H	36 inches	55 lbs
WTS-3048-BK	50" L x 33" W x 7" H	30" D x 48" W x 37" H	48 inches	67 lbs
WTS-3060-BK	62" L x 33" W x 7" H	30" D x 60" W x 37" H	60 inches	79 lbs
WTS-3072-BK	74" L x 33" W x 7" H	30" D x 72" W x 37" H	72 inches	92 lbs



Stainless Steel Work Table

WTS-2448-BK

Size:	24" D x 48" W x 37" H
Weight	59 lbs
Width	48 inches
Shipping Size	50" L x 27" W x 7" H

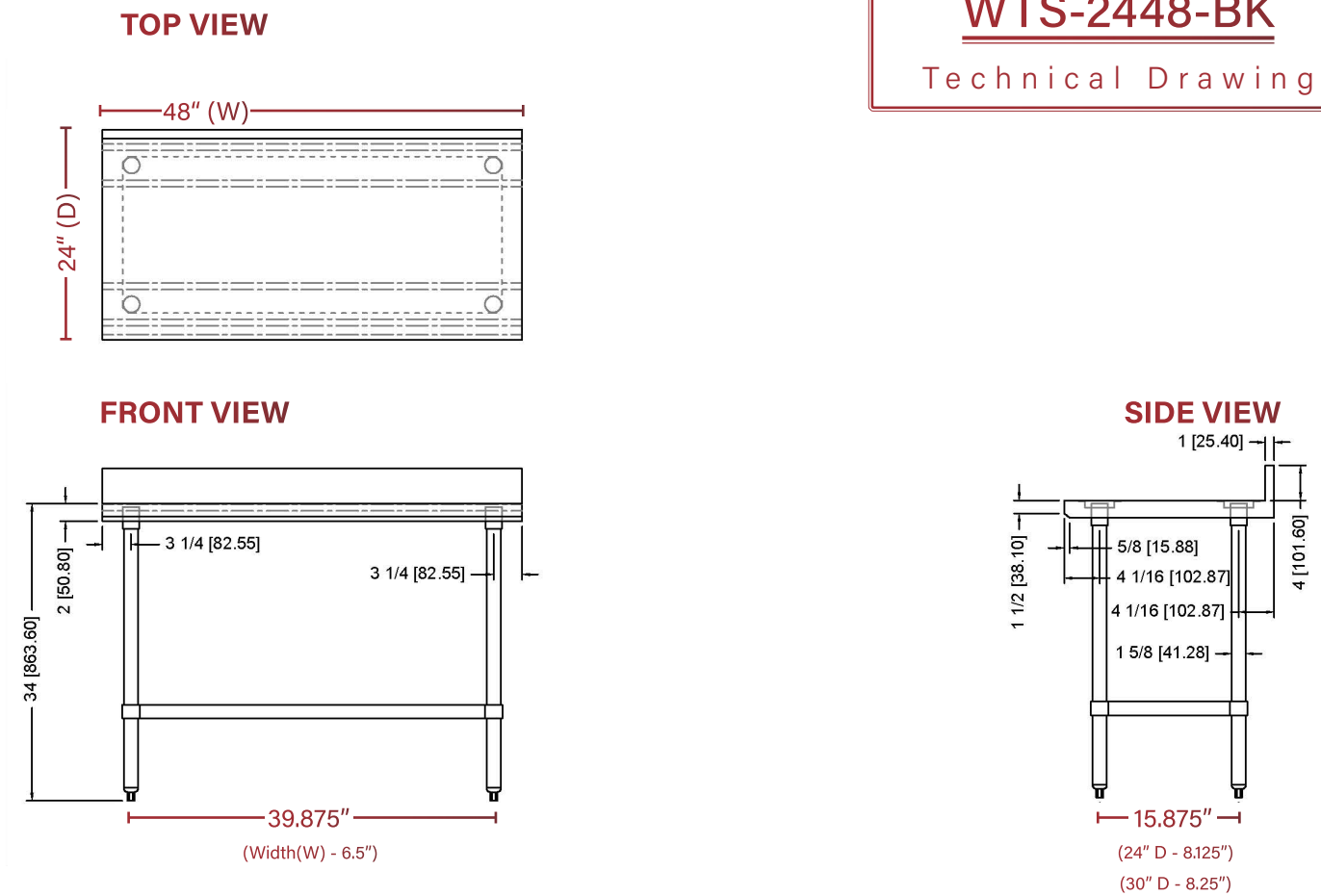
WTS-2448-BK
Technical Drawing

Work Table with Backsplash, 24"x48"

Features



- ✓ Premium 18 Gauge Type 304 stainless steel for durability.
- ✓ Edges are hemmed for added strength and safety.
- ✓ TIG welding for the top.
- ✓ Worktables standard height is 34" with an additional 4" backsplash riser.
- ✓ Entire top surface polished to a smooth satin finish.
- ✓ Galvanized legs and undershelf offer durability and cost-effectiveness.
- ✓ Built to surpass industry reinforcement standards.
- ✓ Reinforced leg sockets made from die-cast for added stability.
- ✓ Galvanized hat channels attached with structural adhesive and weld studs.
- ✓ Leg diameter is 1 5/8".
- ✓ Gussets welded for hat section support.
- ✓ ABS bullet feet are adjustable to level on uneven floors.



Model	Shipping Demimensions	Product Size	Width	Weight
WTS-2424-BK	27" L x 24" W x 7" H	24" D x 24" W x 34" H	24 inches	38 lbs
WTS-2430-BK	32" L x 27" W x 7" H	24" D x 30" W x 37" H	30 inches	43 lbs
WTS-2436-BK	38" L x 27" W x 7" H	24" D x 36" W x 37" H	36 inches	49 lbs
WTS-2448-BK	50" L x 27" W x 7" H	24" D x 48" W x 37" H	48 inches	59 lbs
WTS-2460-BK	62" L x 27" W x 7" H	24" D x 60" W x 37" H	60 inches	70 lbs
WTS-2472-BK	74" L x 27" W x 7" H	24" D x 72" W x 37" H	72 inches	80 lbs
WTS-3024-BK	32" L x 27" W x 7" H	30" D x 24" W x 37" H	24 inches	43 lbs
WTS-3030-BK	33" L x 33" W x 7" H	30" D x 30" W x 37" H	30 inches	49 lbs
WTS-3036-BK	38" L x 33" W x 7" H	30" D x 36" W x 37" H	36 inches	55 lbs
WTS-3048-BK	50" L x 33" W x 7" H	30" D x 48" W x 37" H	48 inches	67 lbs
WTS-3060-BK	62" L x 33" W x 7" H	30" D x 60" W x 37" H	60 inches	79 lbs
WTS-3072-BK	74" L x 33" W x 7" H	30" D x 72" W x 37" H	72 inches	92 lbs



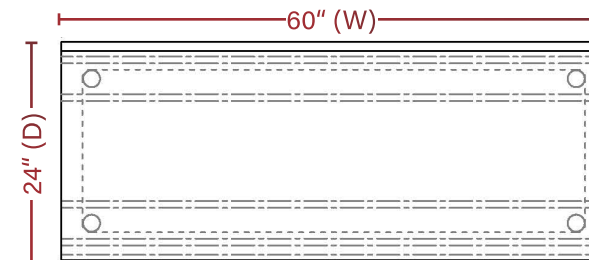
Stainless Steel Work Table

WTS-2460-BK

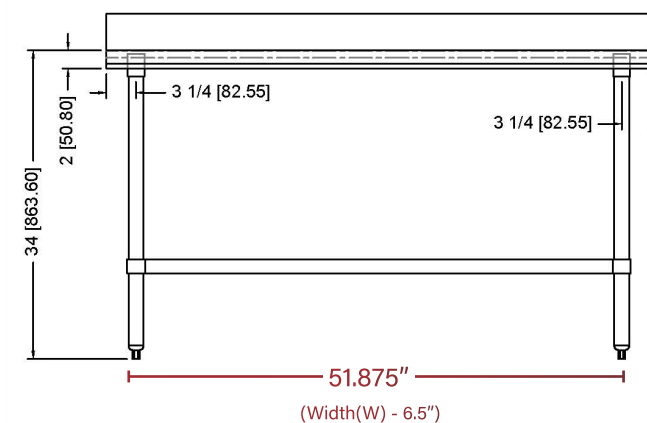
Size:	24" D x 60" W x 37" H
Weight	70 lbs
Width	60 inches
Shipping Size	62" L x 27" W x 7" H

WTS-2460-BK
Technical Drawing

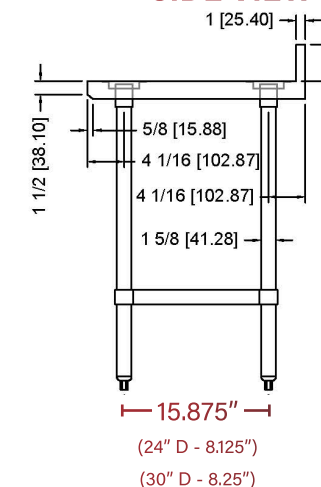
TOP VIEW



FRONT VIEW



SIDE VIEW



Work Table with Backsplash, 24"x60"

Features



- ✓ Premium 18 Gauge Type 304 stainless steel for durability.
- ✓ TIG welding for the top.
- ✓ Entire top surface polished to a smooth satin finish.
- ✓ Built to surpass industry reinforcement standards.
- ✓ Galvanized hat channels attached with structural adhesive and weld studs.
- ✓ Gussets welded for hat section support.
- ✓ Edges are hemmed for added strength and safety.
- ✓ Worktables standard height is 34" with an additional 4" backsplash riser.
- ✓ Galvanized legs and undershelf offer durability and cost-effectiveness.
- ✓ Reinforced leg sockets made from die-cast for added stability.
- ✓ Leg diameter is 1 5/8".
- ✓ ABS bullet feet are adjustable to level on uneven floors.

Model	Shipping Demimensions	Product Size	Width	Weight
WTS-2424-BK	27" L x 24" W x 7" H	24" D x 24" W x 34" H	24 inches	38 lbs
WTS-2430-BK	32" L x 27" W x 7" H	24" D x 30" W x 37" H	30 inches	43 lbs
WTS-2436-BK	38" L x 27" W x 7" H	24" D x 36" W x 37" H	36 inches	49 lbs
WTS-2448-BK	50" L x 27" W x 7" H	24" D x 48" W x 37" H	48 inches	59 lbs
WTS-2460-BK	62" L x 27" W x 7" H	24" D x 60" W x 37" H	60 inches	70 lbs
WTS-2472-BK	74" L x 27" W x 7" H	24" D x 72" W x 37" H	72 inches	80 lbs
WTS-3024-BK	32" L x 27" W x 7" H	30" D x 24" W x 37" H	24 inches	43 lbs
WTS-3030-BK	33" L x 33" W x 7" H	30" D x 30" W x 37" H	30 inches	49 lbs
WTS-3036-BK	38" L x 33" W x 7" H	30" D x 36" W x 37" H	36 inches	55 lbs
WTS-3048-BK	50" L x 33" W x 7" H	30" D x 48" W x 37" H	48 inches	67 lbs
WTS-3060-BK	62" L x 33" W x 7" H	30" D x 60" W x 37" H	60 inches	79 lbs
WTS-3072-BK	74" L x 33" W x 7" H	30" D x 72" W x 37" H	72 inches	92 lbs

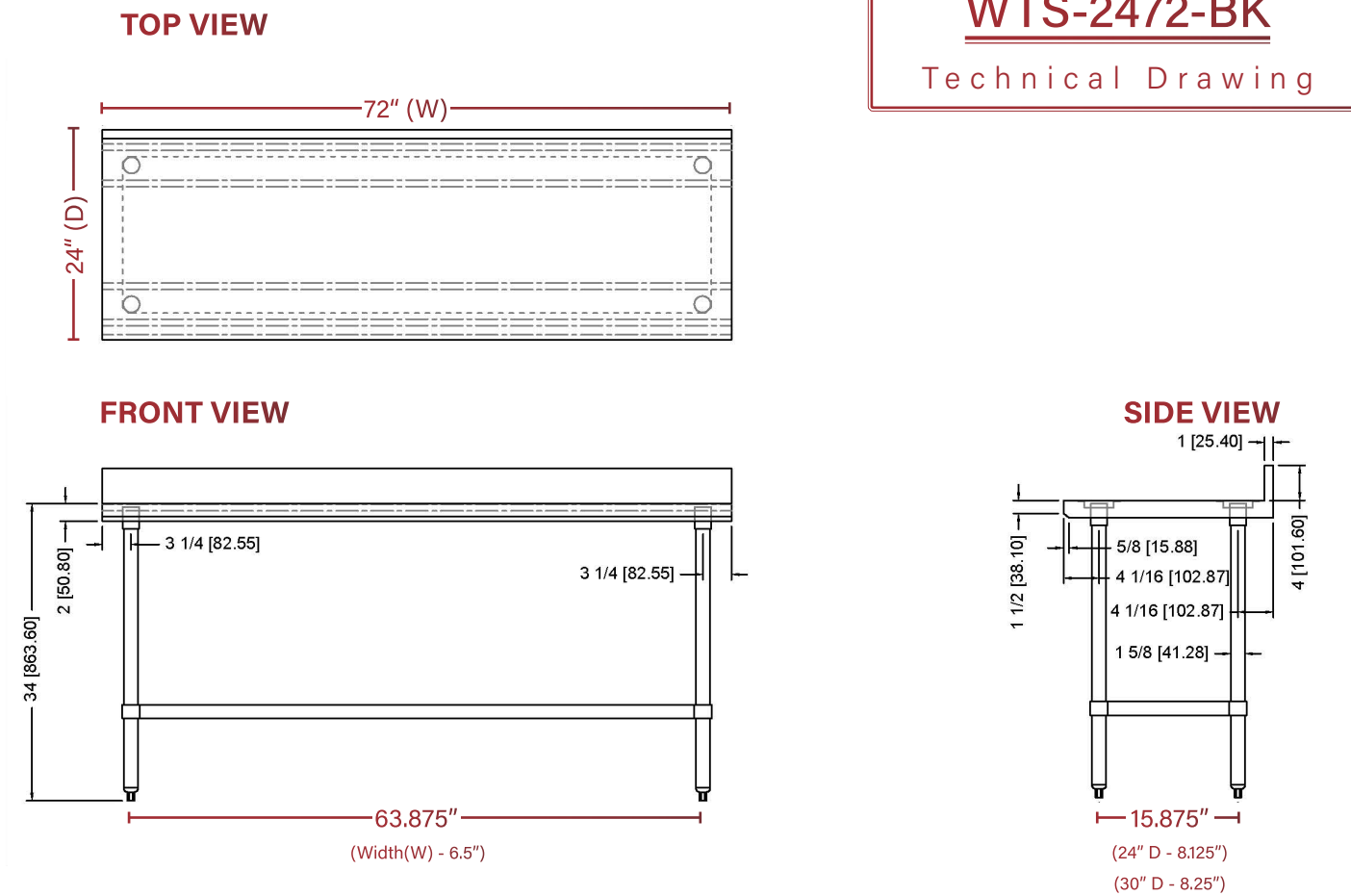


Stainless Steel Work Table

WTS-2472-BK

Size:	24" D x 72" W x 37" H
Weight	80 lbs
Width	72 inches
Shipping Size	74" L x 27" W x 7" H

WTS-2472-BK
Technical Drawing



Work Table with Backsplash, 24"x72"

Features



- ✓ Premium 18 Gauge Type 304 stainless steel for durability.
- ✓ TIG welding for the top.
- ✓ Entire top surface polished to a smooth satin finish.
- ✓ Built to surpass industry reinforcement standards.
- ✓ Galvanized hat channels attached with structural adhesive and weld studs.
- ✓ Gussets welded for hat section support.
- ✓ Edges are hemmed for added strength and safety.
- ✓ Worktables standard height is 34" with an additional 4" backsplash riser.
- ✓ Galvanized legs and undershelf offer durability and cost-effectiveness.
- ✓ Reinforced leg sockets made from die-cast for added stability.
- ✓ Leg diameter is 1 5/8".
- ✓ ABS bullet feet are adjustable to level on uneven floors.

Model	Shipping Demimensions	Product Size	Width	Weight
WTS-2424-BK	27" L x 24" W x 7" H	24" D x 24" W x 34" H	24 inches	38 lbs
WTS-2430-BK	32" L x 27" W x 7" H	24" D x 30" W x 37" H	30 inches	43 lbs
WTS-2436-BK	38" L x 27" W x 7" H	24" D x 36" W x 37" H	36 inches	49 lbs
WTS-2448-BK	50" L x 27" W x 7" H	24" D x 48" W x 37" H	48 inches	59 lbs
WTS-2460-BK	62" L x 27" W x 7" H	24" D x 60" W x 37" H	60 inches	70 lbs
WTS-2472-BK	74" L x 27" W x 7" H	24" D x 72" W x 37" H	72 inches	80 lbs
WTS-3024-BK	32" L x 27" W x 7" H	30" D x 24" W x 37" H	24 inches	43 lbs
WTS-3030-BK	33" L x 33" W x 7" H	30" D x 30" W x 37" H	30 inches	49 lbs
WTS-3036-BK	38" L x 33" W x 7" H	30" D x 36" W x 37" H	36 inches	55 lbs
WTS-3048-BK	50" L x 33" W x 7" H	30" D x 48" W x 37" H	48 inches	67 lbs
WTS-3060-BK	62" L x 33" W x 7" H	30" D x 60" W x 37" H	60 inches	79 lbs
WTS-3072-BK	74" L x 33" W x 7" H	30" D x 72" W x 37" H	72 inches	92 lbs

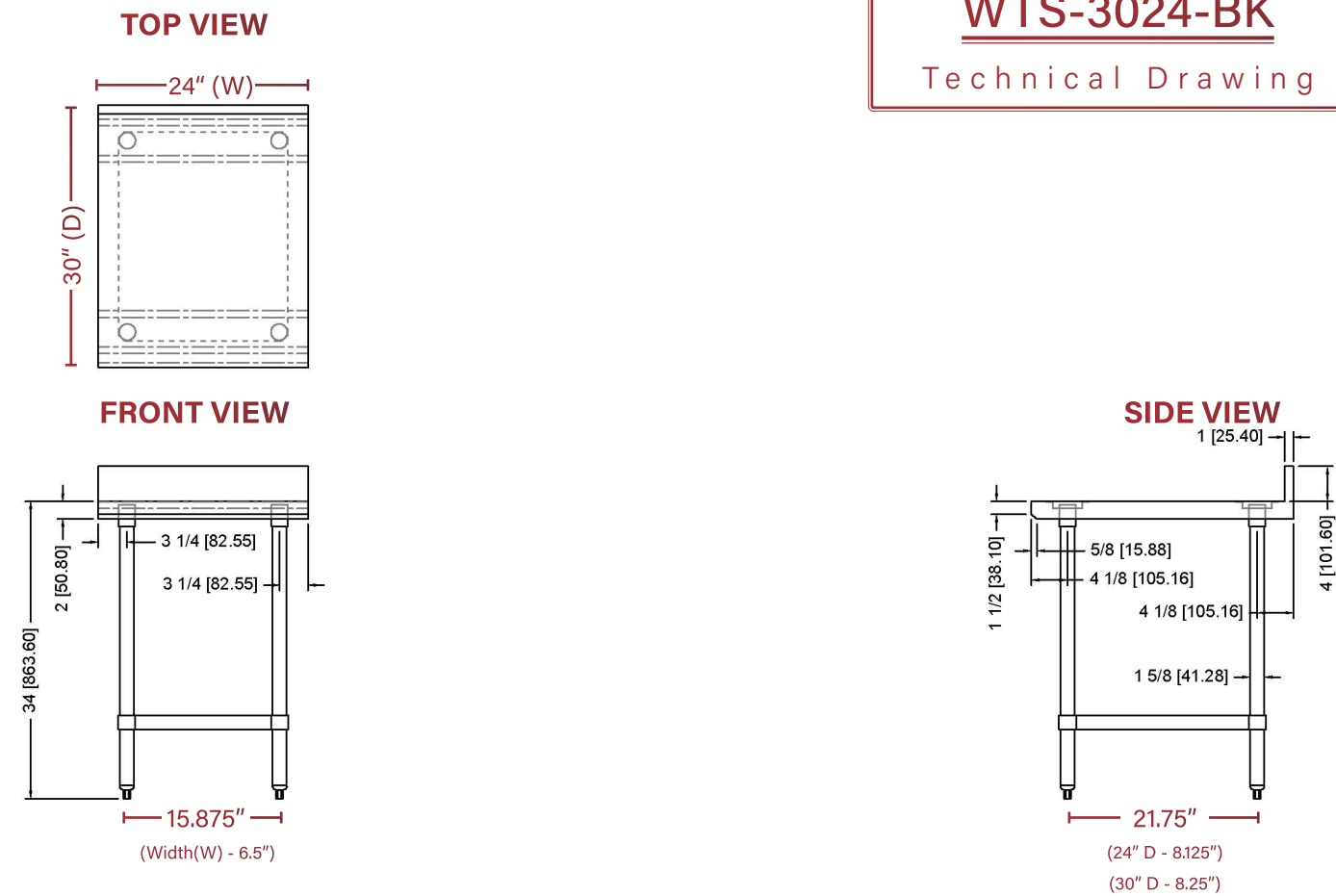


Stainless Steel Work Table

WTS-3024-BK

Size:	30" D x 24" W x 37" H
Weight	43 lbs
Width	24 inches
Shipping Size	32" L x 27" W x 7" H

WTS-3024-BK
Technical Drawing



Work Table with Backsplash, 30"x24"

Features



- ✓ Premium 18 Gauge Type 304 stainless steel for durability.
- ✓ TIG welding for the top.
- ✓ Entire top surface polished to a smooth satin finish.
- ✓ Built to surpass industry reinforcement standards.
- ✓ Galvanized hat channels attached with structural adhesive and weld studs.
- ✓ Gussets welded for hat section support.
- ✓ Edges are hemmed for added strength and safety.
- ✓ Worktables standard height is 34" with an additional 4" backsplash riser.
- ✓ Galvanized legs and undershelf offer durability and cost-effectiveness.
- ✓ Reinforced leg sockets made from die-cast for added stability.
- ✓ Leg diameter is 1 5/8".
- ✓ ABS bullet feet are adjustable to level on uneven floors.

Model	Shipping Demimions	Product Size	Width	Weight
WTS-2424-BK	27" L x 24" W x 7" H	24" D x 24" W x 34" H	24 inches	38 lbs
WTS-2430-BK	32" L x 27" W x 7" H	24" D x 30" W x 37" H	30 inches	43 lbs
WTS-2436-BK	38" L x 27" W x 7" H	24" D x 36" W x 37" H	36 inches	49 lbs
WTS-2448-BK	50" L x 27" W x 7" H	24" D x 48" W x 37" H	48 inches	59 lbs
WTS-2460-BK	62" L x 27" W x 7" H	24" D x 60" W x 37" H	60 inches	70 lbs
WTS-2472-BK	74" L x 27" W x 7" H	24" D x 72" W x 37" H	72 inches	80 lbs
WTS-3024-BK	32" L x 27" W x 7" H	30" D x 24" W x 37" H	24 inches	43 lbs
WTS-3030-BK	33" L x 33" W x 7" H	30" D x 30" W x 37" H	30 inches	49 lbs
WTS-3036-BK	38" L x 33" W x 7" H	30" D x 36" W x 37" H	36 inches	55 lbs
WTS-3048-BK	50" L x 33" W x 7" H	30" D x 48" W x 37" H	48 inches	67 lbs
WTS-3060-BK	62" L x 33" W x 7" H	30" D x 60" W x 37" H	60 inches	79 lbs
WTS-3072-BK	74" L x 33" W x 7" H	30" D x 72" W x 37" H	72 inches	92 lbs

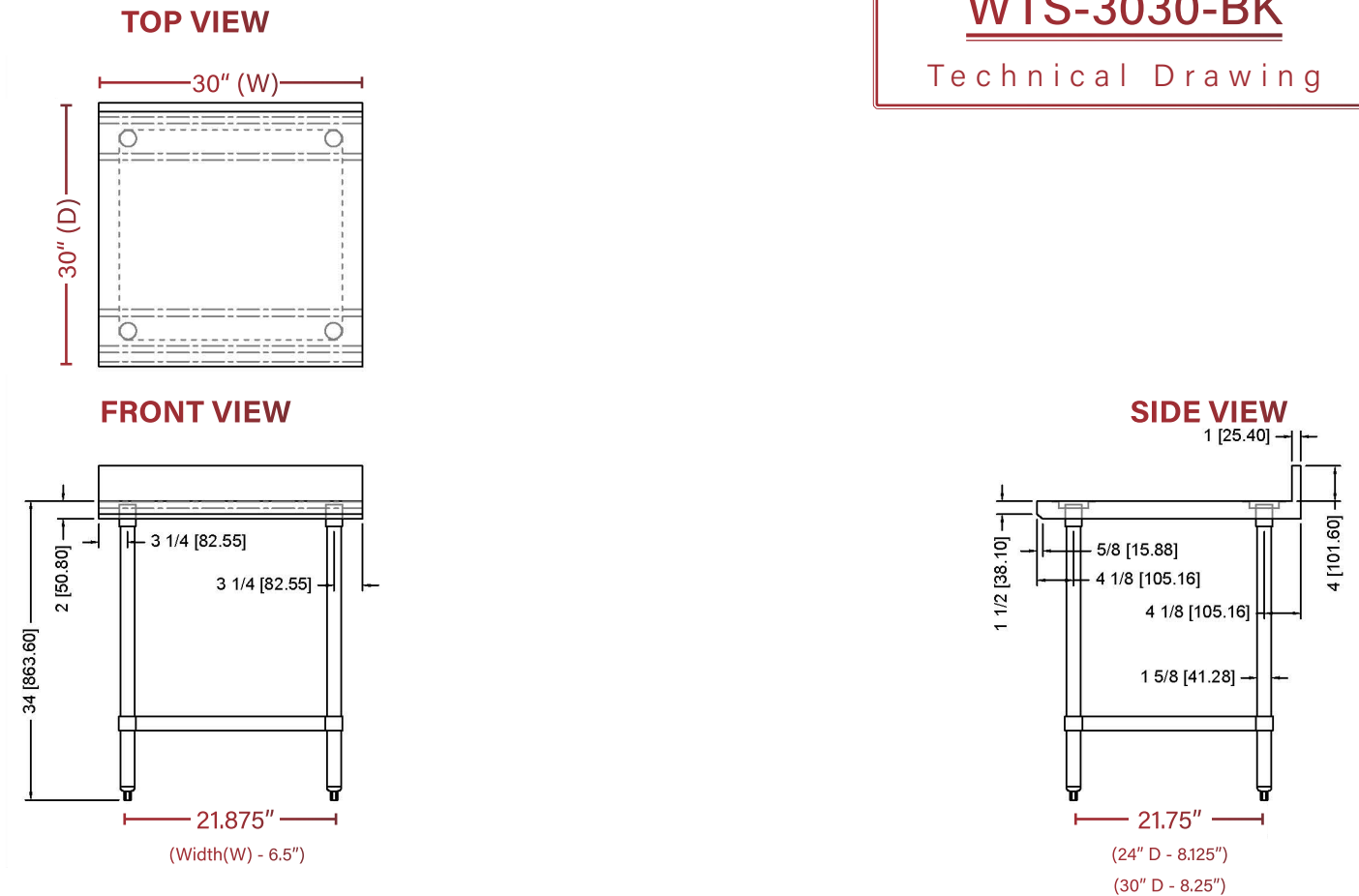


Stainless Steel Work Table

WTS-3030-BK

Size:	30" D x 30" W x 37" H
Weight	49 lbs
Width	30 inches
Shipping Size	33" L x 33" W x 7" H

WTS-3030-BK
Technical Drawing



Work Table with Backsplash, 30"x30"

Features



- ✓ Premium 18 Gauge Type 304 stainless steel for durability.
- ✓ TIG welding for the top.
- ✓ Entire top surface polished to a smooth satin finish.
- ✓ Built to surpass industry reinforcement standards.
- ✓ Galvanized hat channels attached with structural adhesive and weld studs.
- ✓ Gussets welded for hat section support.
- ✓ Edges are hemmed for added strength and safety.
- ✓ Worktables standard height is 34" with an additional 4" backsplash riser.
- ✓ Galvanized legs and undershelf offer durability and cost-effectiveness.
- ✓ Reinforced leg sockets made from die-cast for added stability.
- ✓ Leg diameter is 1 5/8".
- ✓ ABS bullet feet are adjustable to level on uneven floors.

Model	Shipping Demimensions	Product Size	Width	Weight
WTS-2424-BK	27" L x 24" W x 7" H	24" D x 24" W x 34" H	24 inches	38 lbs
WTS-2430-BK	32" L x 27" W x 7" H	24" D x 30" W x 37" H	30 inches	43 lbs
WTS-2436-BK	38" L x 27" W x 7" H	24" D x 36" W x 37" H	36 inches	49 lbs
WTS-2448-BK	50" L x 27" W x 7" H	24" D x 48" W x 37" H	48 inches	59 lbs
WTS-2460-BK	62" L x 27" W x 7" H	24" D x 60" W x 37" H	60 inches	70 lbs
WTS-2472-BK	74" L x 27" W x 7" H	24" D x 72" W x 37" H	72 inches	80 lbs
WTS-3024-BK	32" L x 27" W x 7" H	30" D x 24" W x 37" H	24 inches	43 lbs
WTS-3030-BK	33" L x 33" W x 7" H	30" D x 30" W x 37" H	30 inches	49 lbs
WTS-3036-BK	38" L x 33" W x 7" H	30" D x 36" W x 37" H	36 inches	55 lbs
WTS-3048-BK	50" L x 33" W x 7" H	30" D x 48" W x 37" H	48 inches	67 lbs
WTS-3060-BK	62" L x 33" W x 7" H	30" D x 60" W x 37" H	60 inches	79 lbs
WTS-3072-BK	74" L x 33" W x 7" H	30" D x 72" W x 37" H	72 inches	92 lbs

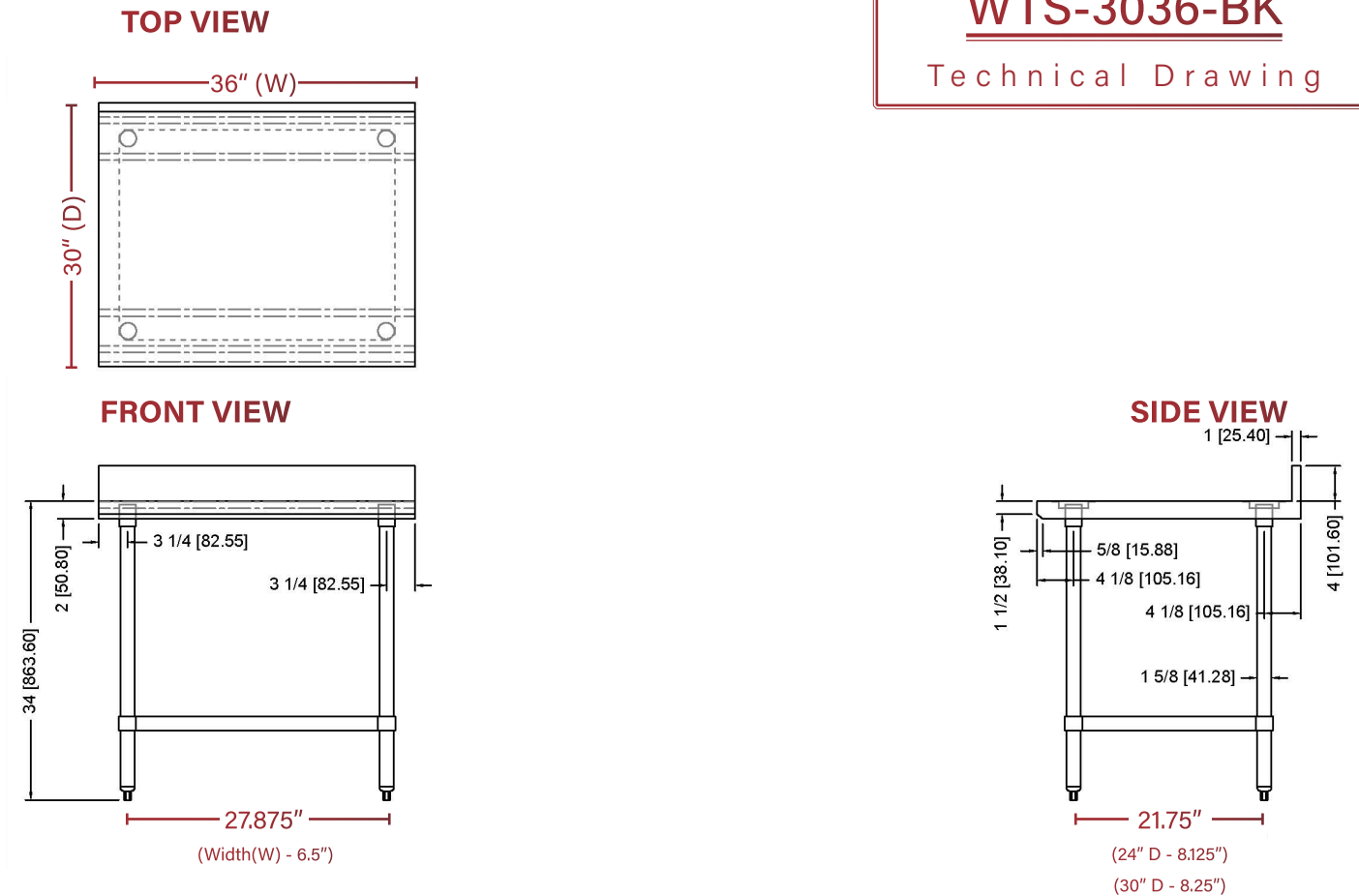


Stainless Steel Work Table

WTS-3036-BK

Size:	30" D x 36" W x 37" H
Weight	55 lbs
Width	36 inches
Shipping Size	38" L x 33" W x 7" H

WTS-3036-BK
Technical Drawing



Work Table with Backsplash, 30"x36"

Features



- ✓ Premium 18 Gauge Type 304 stainless steel for durability.
- ✓ TIG welding for the top.
- ✓ Entire top surface polished to a smooth satin finish.
- ✓ Built to surpass industry reinforcement standards.
- ✓ Galvanized hat channels attached with structural adhesive and weld studs.
- ✓ Gussets welded for hat section support.
- ✓ Edges are hemmed for added strength and safety.
- ✓ Worktables standard height is 34" with an additional 4" backsplash riser.
- ✓ Galvanized legs and undershelf offer durability and cost-effectiveness.
- ✓ Reinforced leg sockets made from die-cast for added stability.
- ✓ Leg diameter is 1 5/8".
- ✓ ABS bullet feet are adjustable to level on uneven floors.

Model	Shipping Demimensions	Product Size	Width	Weight
WTS-2424-BK	27" L x 24" W x 7" H	24" D x 24" W x 34" H	24 inches	38 lbs
WTS-2430-BK	32" L x 27" W x 7" H	24" D x 30" W x 37" H	30 inches	43 lbs
WTS-2436-BK	38" L x 27" W x 7" H	24" D x 36" W x 37" H	36 inches	49 lbs
WTS-2448-BK	50" L x 27" W x 7" H	24" D x 48" W x 37" H	48 inches	59 lbs
WTS-2460-BK	62" L x 27" W x 7" H	24" D x 60" W x 37" H	60 inches	70 lbs
WTS-2472-BK	74" L x 27" W x 7" H	24" D x 72" W x 37" H	72 inches	80 lbs
WTS-3024-BK	32" L x 27" W x 7" H	30" D x 24" W x 37" H	24 inches	43 lbs
WTS-3030-BK	33" L x 33" W x 7" H	30" D x 30" W x 37" H	30 inches	49 lbs
WTS-3036-BK	38" L x 33" W x 7" H	30" D x 36" W x 37" H	36 inches	55 lbs
WTS-3048-BK	50" L x 33" W x 7" H	30" D x 48" W x 37" H	48 inches	67 lbs
WTS-3060-BK	62" L x 33" W x 7" H	30" D x 60" W x 37" H	60 inches	79 lbs
WTS-3072-BK	74" L x 33" W x 7" H	30" D x 72" W x 37" H	72 inches	92 lbs

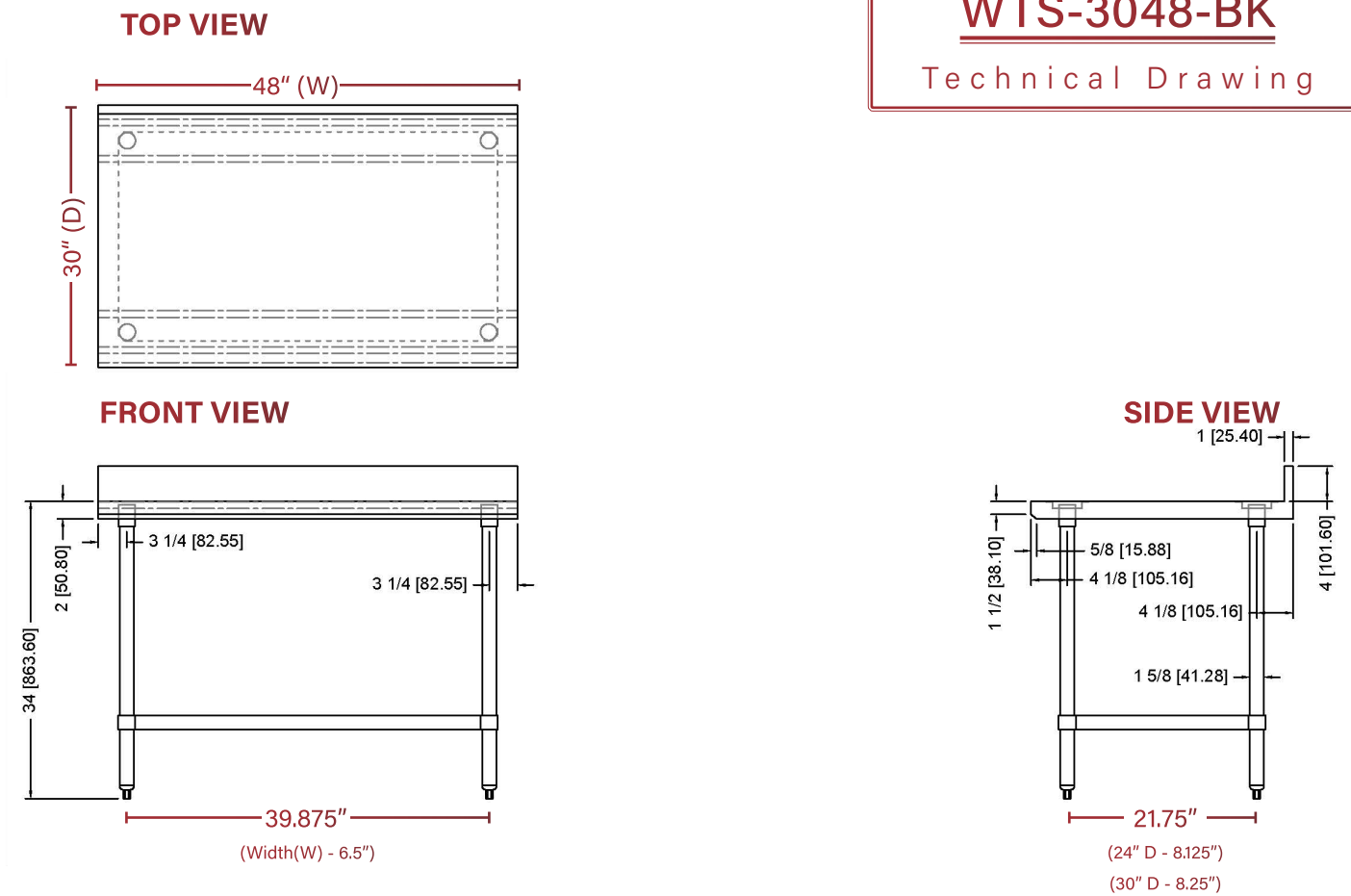


Stainless Steel Work Table

WTS-3048-BK

Size:	30" D x 48" W x 37" H
Weight	67 lbs
Width	48 inches
Shipping Size	50" L x 33" W x 7" H

WTS-3048-BK
Technical Drawing



Work Table with Backsplash, 30"x48"

Features



- ✓ Premium 18 Gauge Type 304 stainless steel for durability.
- ✓ TIG welding for the top.
- ✓ Entire top surface polished to a smooth satin finish.
- ✓ Built to surpass industry reinforcement standards.
- ✓ Galvanized hat channels attached with structural adhesive and weld studs.
- ✓ Gussets welded for hat section support.
- ✓ Edges are hemmed for added strength and safety.
- ✓ Worktables standard height is 34" with an additional 4" backsplash riser.
- ✓ Galvanized legs and undershelf offer durability and cost-effectiveness.
- ✓ Reinforced leg sockets made from die-cast for added stability.
- ✓ Leg diameter is 1 5/8".
- ✓ ABS bullet feet are adjustable to level on uneven floors.

Model	Shipping Demimensions	Product Size	Width	Weight
WTS-2424-BK	27" L x 24" W x 7" H	24" D x 24" W x 34" H	24 inches	38 lbs
WTS-2430-BK	32" L x 27" W x 7" H	24" D x 30" W x 37" H	30 inches	43 lbs
WTS-2436-BK	38" L x 27" W x 7" H	24" D x 36" W x 37" H	36 inches	49 lbs
WTS-2448-BK	50" L x 27" W x 7" H	24" D x 48" W x 37" H	48 inches	59 lbs
WTS-2460-BK	62" L x 27" W x 7" H	24" D x 60" W x 37" H	60 inches	70 lbs
WTS-2472-BK	74" L x 27" W x 7" H	24" D x 72" W x 37" H	72 inches	80 lbs
WTS-3024-BK	32" L x 27" W x 7" H	30" D x 24" W x 37" H	24 inches	43 lbs
WTS-3030-BK	33" L x 33" W x 7" H	30" D x 30" W x 37" H	30 inches	49 lbs
WTS-3036-BK	38" L x 33" W x 7" H	30" D x 36" W x 37" H	36 inches	55 lbs
WTS-3048-BK	50" L x 33" W x 7" H	30" D x 48" W x 37" H	48 inches	67 lbs
WTS-3060-BK	62" L x 33" W x 7" H	30" D x 60" W x 37" H	60 inches	79 lbs
WTS-3072-BK	74" L x 33" W x 7" H	30" D x 72" W x 37" H	72 inches	92 lbs

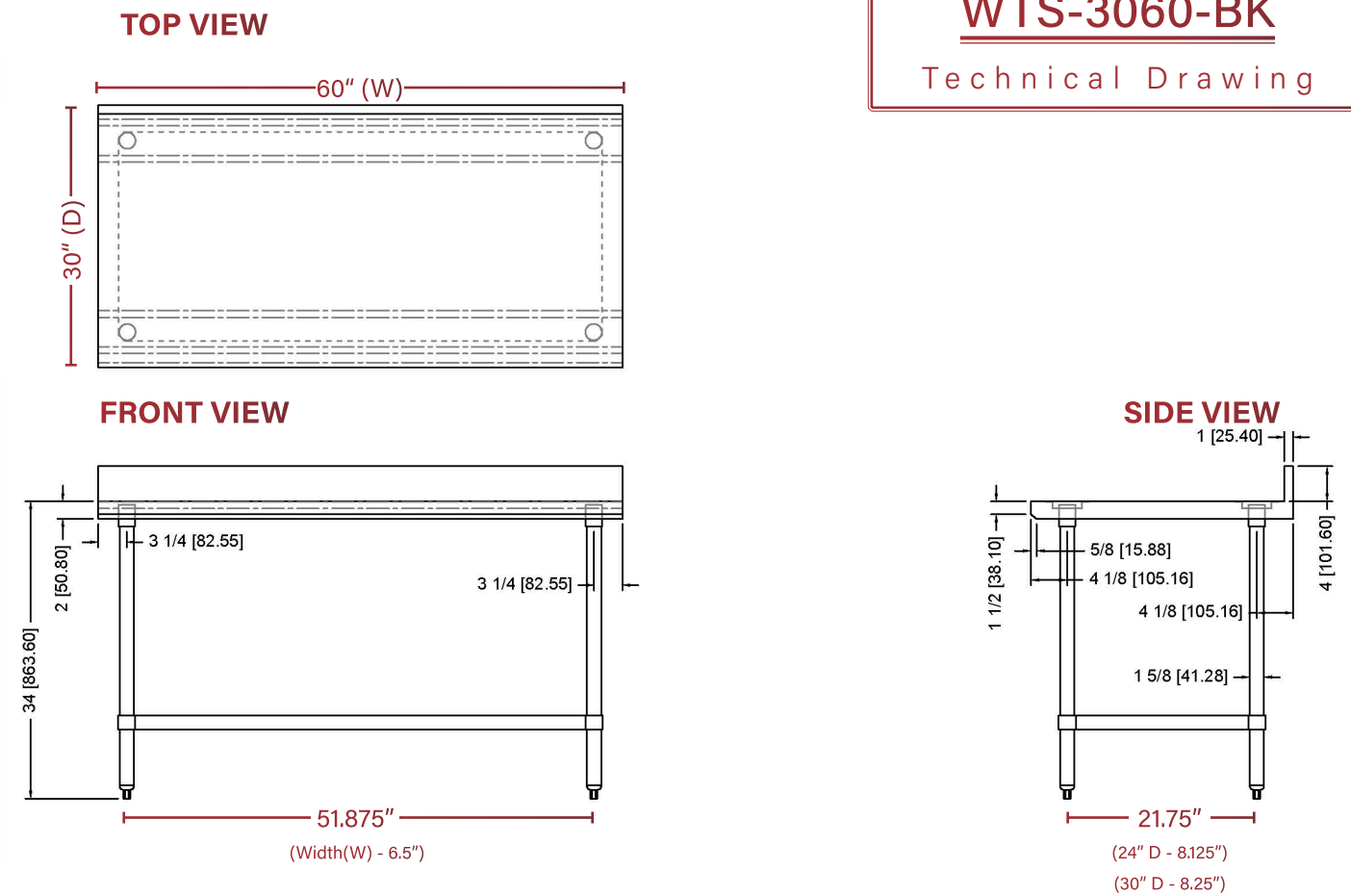


Stainless Steel Work Table

WTS-3060-BK

Size:	30" D x 60" W x 37" H
Weight	79 lbs
Width	60 inches
Shipping Size	62" L x 33" W x 7" H

WTS-3060-BK
Technical Drawing



Work Table with Backsplash, 30"x60"

Features



- ✓ Premium 18 Gauge Type 304 stainless steel for durability.
- ✓ TIG welding for the top.
- ✓ Entire top surface polished to a smooth satin finish.
- ✓ Built to surpass industry reinforcement standards.
- ✓ Galvanized hat channels attached with structural adhesive and weld studs.
- ✓ Gussets welded for hat section support.
- ✓ Edges are hemmed for added strength and safety.
- ✓ Worktables standard height is 34" with an additional 4" backsplash riser.
- ✓ Galvanized legs and undershelf offer durability and cost-effectiveness.
- ✓ Reinforced leg sockets made from die-cast for added stability.
- ✓ Leg diameter is 1 5/8".
- ✓ ABS bullet feet are adjustable to level on uneven floors.

Model	Shipping Demimensions	Product Size	Width	Weight
WTS-2424	26" L x 26" W x 3" H	24" D x 24" W x 34" H	24 inches	35 lbs
WTS-2430	32" L x 26" W x 3" H	24" D x 30" W x 34" H	30 inches	40 lbs
WTS-2436	38" L x 26" W x 3" H	24" D x 36" W x 34" H	36 inches	46 lbs
WTS-2448	50" L x 26" W x 3" H	24" D x 48" W x 34" H	48 inches	56 lbs
WTS-2460	62" L x 26" W x 3" H	24" D x 60" W x 34" H	60 inches	66 lbs
WTS-2472	74" L x 26" W x 3" H	24" D x 72" W x 34" H	72 inches	76 lbs
WTS-3015	32" L x 17" W x 3" H	30" D x 15" W x 34" H	30 inches	33 lbs
WTS-3024	32" L x 26" W x 3" H	30" D x 24" W x 34" H	30 inches	38 lbs
WTS-3030	32" L x 32" W x 3" H	30" D x 30" W x 34" H	30 inches	43 lbs
WTS-3036	38" L x 32" W x 3" H	30" D x 36" W x 34" H	36 inches	49 lbs
WTS-3048	50" L x 32" W x 3" H	30" D x 48" W x 34" H	48 inches	59 lbs
WTS-3060	62" L x 32" W x 3" H	30" D x 60" W x 34" H	60 inches	70 lbs
WTS-3072	74" L x 32" W x 3" H	30" D x 72" W x 34" H	72 inches	80 lbs

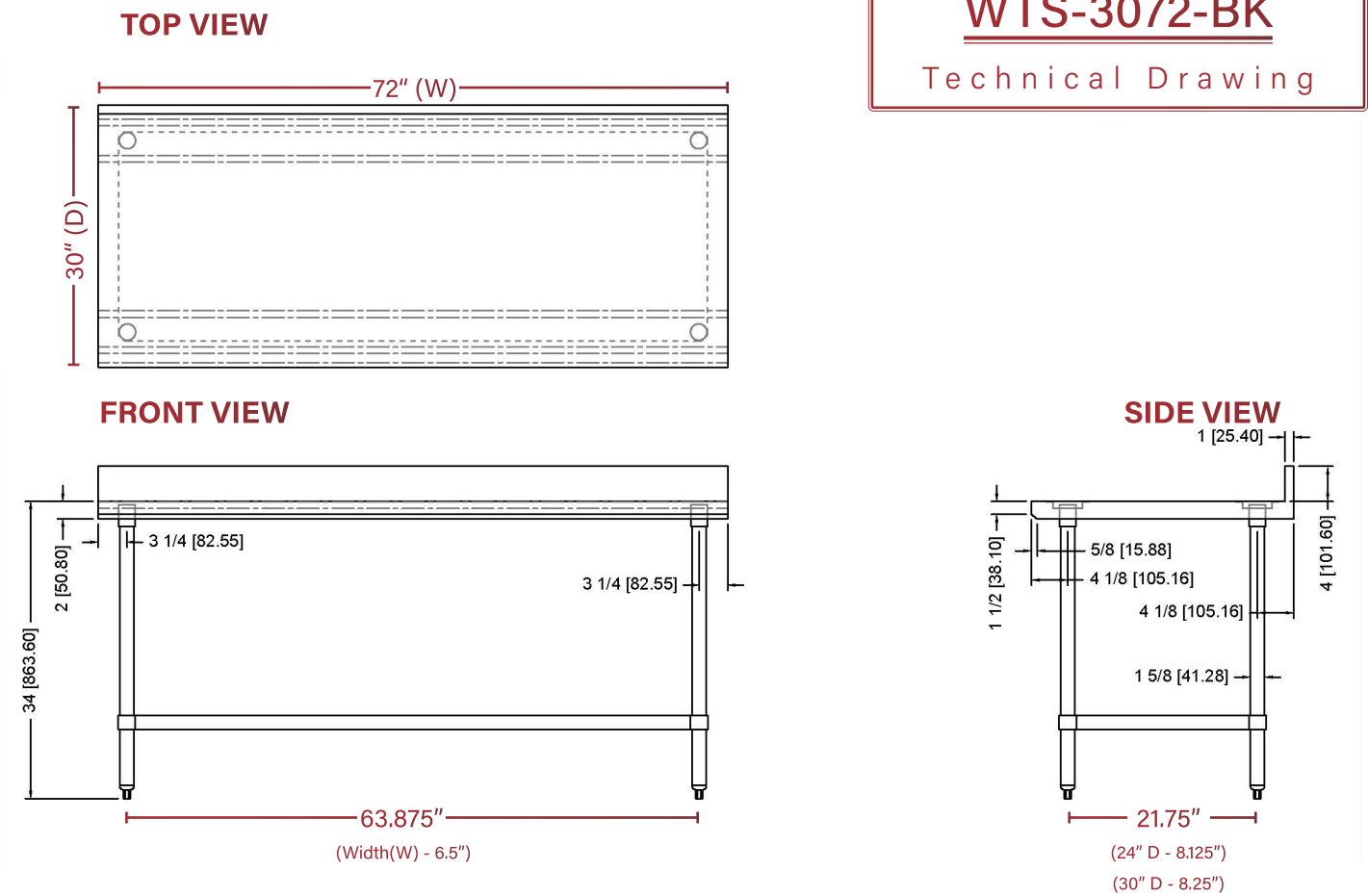


Stainless Steel Work Table

WTS-3072-BK

Size:	30" D x 72" W x 37" H
Weight	92 lbs
Width	72 inches
Shipping Size	74" L x 33" W x 7" H

WTS-3072-BK
Technical Drawing



Work Table with Backsplash, 30"x72"

Features



- ✓ Premium 18 Gauge Type 304 stainless steel for durability.
- ✓ TIG welding for the top.
- ✓ Entire top surface polished to a smooth satin finish.
- ✓ Built to surpass industry reinforcement standards.
- ✓ Galvanized hat channels attached with structural adhesive and weld studs.
- ✓ Gussets welded for hat section support.
- ✓ Edges are hemmed for added strength and safety.
- ✓ Worktables standard height is 34" with an additional 4" backsplash riser.
- ✓ Galvanized legs and undershelf offer durability and cost-effectiveness.
- ✓ Reinforced leg sockets made from die-cast for added stability.
- ✓ Leg diameter is 1 5/8".
- ✓ ABS bullet feet are adjustable to level on uneven floors.

Model	Shipping Demimensions	Product Size	Width	Weight
WTS-2424-BK	27" L x 24" W x 7" H	24" D x 24" W x 34" H	24 inches	38 lbs
WTS-2430-BK	32" L x 27" W x 7" H	24" D x 30" W x 37" H	30 inches	43 lbs
WTS-2436-BK	38" L x 27" W x 7" H	24" D x 36" W x 37" H	36 inches	49 lbs
WTS-2448-BK	50" L x 27" W x 7" H	24" D x 48" W x 37" H	48 inches	59 lbs
WTS-2460-BK	62" L x 27" W x 7" H	24" D x 60" W x 37" H	60 inches	70 lbs
WTS-2472-BK	74" L x 27" W x 7" H	24" D x 72" W x 37" H	72 inches	80 lbs
WTS-3024-BK	32" L x 27" W x 7" H	30" D x 24" W x 37" H	24 inches	43 lbs
WTS-3030-BK	33" L x 33" W x 7" H	30" D x 30" W x 37" H	30 inches	49 lbs
WTS-3036-BK	38" L x 33" W x 7" H	30" D x 36" W x 37" H	36 inches	55 lbs
WTS-3048-BK	50" L x 33" W x 7" H	30" D x 48" W x 37" H	48 inches	67 lbs
WTS-3060-BK	62" L x 33" W x 7" H	30" D x 60" W x 37" H	60 inches	79 lbs
WTS-3072-BK	74" L x 33" W x 7" H	30" D x 72" W x 37" H	72 inches	92 lbs