




# COMMERCIAL WIRE SHELVING

ICE AGE REFRIGERATION INC

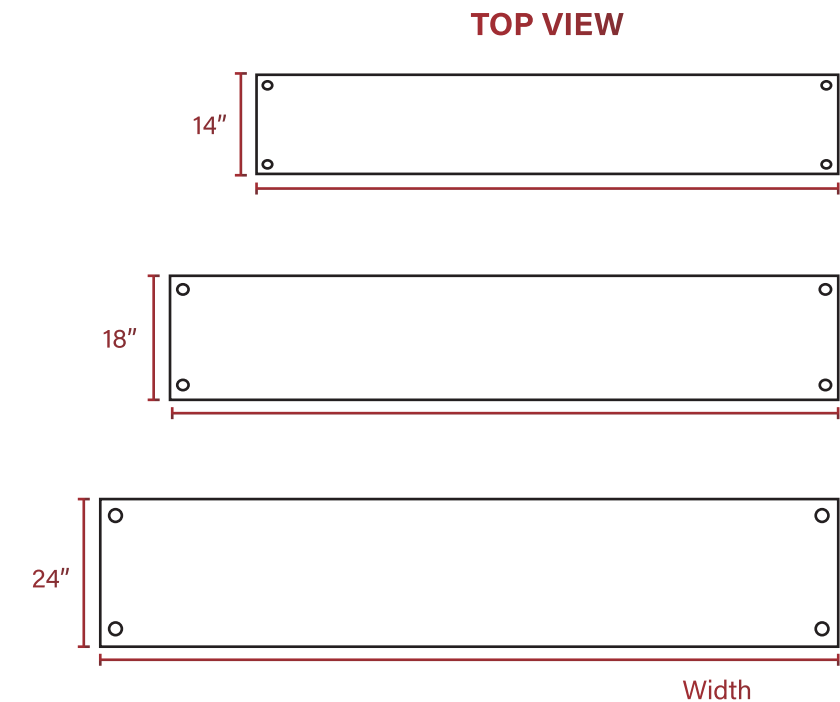
121 McLean Drive, Vancouver BC, Canada

 If the data and structure update, without notice, subject to material object.

# Chrome & Epoxy Wire Shelving

WS-####(EP/CH)

Depth:	14", 18", 24" deep
Weight:	24" to 72" lbs
Shelf Quantity:	4 shelves; 2 for 18" x 48" and up inches
Post Size:	4 posts



## Chrome & Epoxy Wire Shelving & Posts

### Features



- ✓ Provides long-lasting protection and extends shelf life.
- ✓ Chrome ideal for dry and showcase while epoxy is most suitable for wet applications.
- ✓ Suitable for various environments including coolers, freezers, and dry storage.
- ✓ Shelves up to 48" support 600 lbs; shelves 54" and longer support 400 lbs.
- ✓ Coverage against rust and corrosion for added peace of mind.
- ✓ Designed for quick and straightforward assembly without the need for tools.
- ✓ Shelves can be positioned at different heights to accommodate varying storage needs.
- ✓ All units are shipped unassembled to minimize shipping costs and packaging waste.
- ✓ Available in various sizes and configurations to fit specific storage requirements.

Height

### Chrome & Epoxy Wire Shelves

Model	EP = Epoxy CH = Chrome	Shipping Size	Product Size	Width	Weight
WS-1424	(EP/CH)	25"W x 15"D x 7"H	14"D x 24"W	24"	24 lbs
WS-1436	(EP/CH)	37"W x 15"D x 7"H	14"D x 36"W	36"	34 lbs
WS-1448	(EP/CH)	49"W x 15"D x 7"H	14"D x 48"W	48"	43 lbs
WS-1460	(EP/CH)	61"W x 15"D x 4"H	14"D x 60"W	60"	30 lbs
WS-1836	(EP/CH)	37"W x 19"D x 7"H	18"D x 36"W	36"	34 lbs
WS-1848	(EP/CH)	49"W x 19"D x 7"H	18"D x 48"W	48"	48 lbs
WS-1854	(EP/CH)	55"W x 19"D x 4"H	18"D x 54"W	54"	29 lbs
WS-1860	(EP/CH)	61"W x 19"D x 4"H	18"D x 60"W	60"	31 lbs
WS-1872	(EP/CH)	73"W x 19"D x 4"H	18"D x 72"W	72"	38 lbs
WS-2424	(EP/CH)	25"W x 25"D x 7"H	24"D x 24"W	24"	34 lbs
WS-2436	(EP/CH)	37"W x 25"D x 7"H	24"D x 36"W	36"	48 lbs
WS-2448	(EP/CH)	49"W x 25"D x 7"H	24"D x 48"W	48"	62 lbs
WS-2460	(EP/CH)	61"W x 25"D x 4"H	24"D x 60"W	60"	42 lbs
WS-2472	(EP/CH)	73"W x 25"D x 4"H	24"D x 72"W	72"	50 lbs

### Chrome & Epoxy Wire Posts

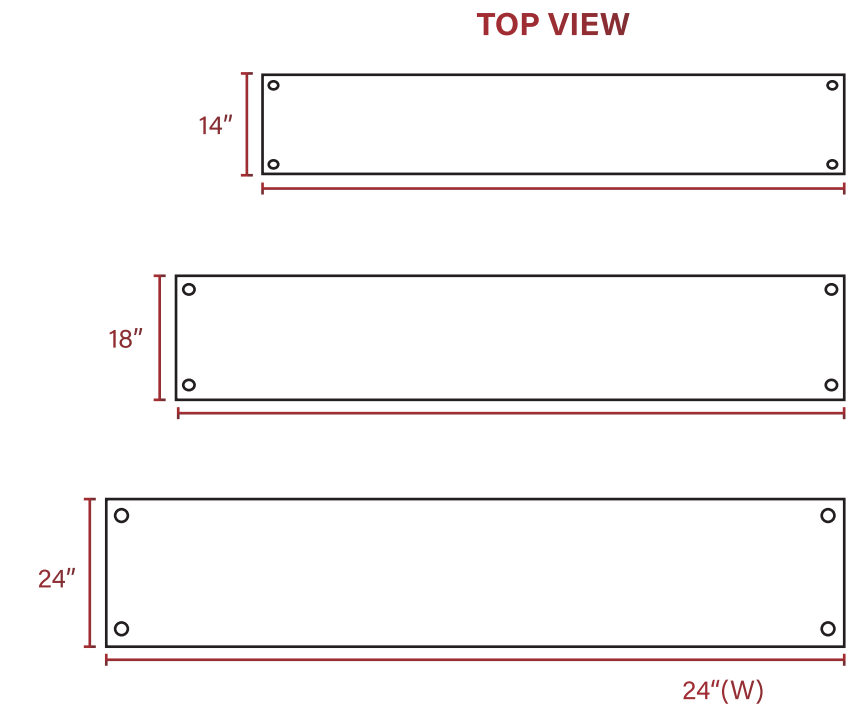
Model	EP = Epoxy CH = Chrome	Shipping Size	Product Size	Height	Weight
WP-64	(EP/CH)	25"W x 15"D x 7"H	14"D x 24"W	64"	15 lbs
WP-74	(EP/CH)	37"W x 15"D x 7"H	14"D x 36"W	74"	17 lbs
WP-86	(EP/CH)	49"W x 15"D x 7"H	14"D x 48"W	86"	20 lbs



# 14" Epoxy Wire Shelving & Posts

WS-1424EP

Size:	14"D x 24"W
Weight:	24 lbs
Width:	24 inches
Shipping Size:	25"W x 15"D x 7"H

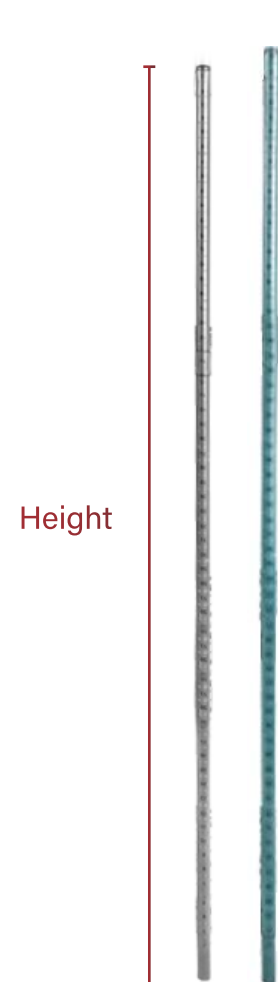


## 14" Epoxy Wire Shelving & Posts

### Features



- ✓ Provides long-lasting protection and extends shelf life.
- ✓ Inhibiting coating ideal for both wet and dry applications.
- ✓ Suitable for various environments including coolers, freezers, and dry storage.
- ✓ Shelves up to 48" support 600 lbs; shelves 54" and longer support 400 lbs.
- ✓ Coverage against rust and corrosion for added peace of mind.
- ✓ Designed for quick and straightforward assembly without the need for tools.
- ✓ Shelves can be positioned at different heights to accommodate varying storage needs.
- ✓ All units are shipped unassembled to minimize shipping costs and packaging waste.
- ✓ Available in various sizes and configurations to fit specific storage requirements.



### Chrome & Epoxy Wire Shelves

Model	EP = Epoxy CH = Chrome	Shipping Size	Product Size	Width	Weight
WS-1424	(EP/CH)	25"W x 15"D x 7"H	14"D x 24"W	24"	24 lbs
WS-1436	(EP/CH)	37"W x 15"D x 7"H	14"D x 36"W	36"	34 lbs
WS-1448	(EP/CH)	49"W x 15"D x 7"H	14"D x 48"W	48"	43 lbs
WS-1460	(EP/CH)	61"W x 15"D x 4"H	14"D x 60"W	60"	30 lbs
WS-1836	(EP/CH)	37"W x 19"D x 7"H	18"D x 36"W	36"	34 lbs
WS-1848	(EP/CH)	49"W x 19"D x 7"H	18"D x 48"W	48"	48 lbs
WS-1854	(EP/CH)	55"W x 19"D x 4"H	18"D x 54"W	54"	29 lbs
WS-1860	(EP/CH)	61"W x 19"D x 4"H	18"D x 60"W	60"	31 lbs
WS-1872	(EP/CH)	73"W x 19"D x 4"H	18"D x 72"W	72"	38 lbs
WS-2424	(EP/CH)	25"W x 25"D x 7"H	24"D x 24"W	24"	34 lbs
WS-2436	(EP/CH)	37"W x 25"D x 7"H	24"D x 36"W	36"	48 lbs
WS-2448	(EP/CH)	49"W x 25"D x 7"H	24"D x 48"W	48"	62 lbs
WS-2460	(EP/CH)	61"W x 25"D x 4"H	24"D x 60"W	60"	42 lbs
WS-2472	(EP/CH)	73"W x 25"D x 4"H	24"D x 72"W	72"	50 lbs

### Chrome & Epoxy Wire Posts

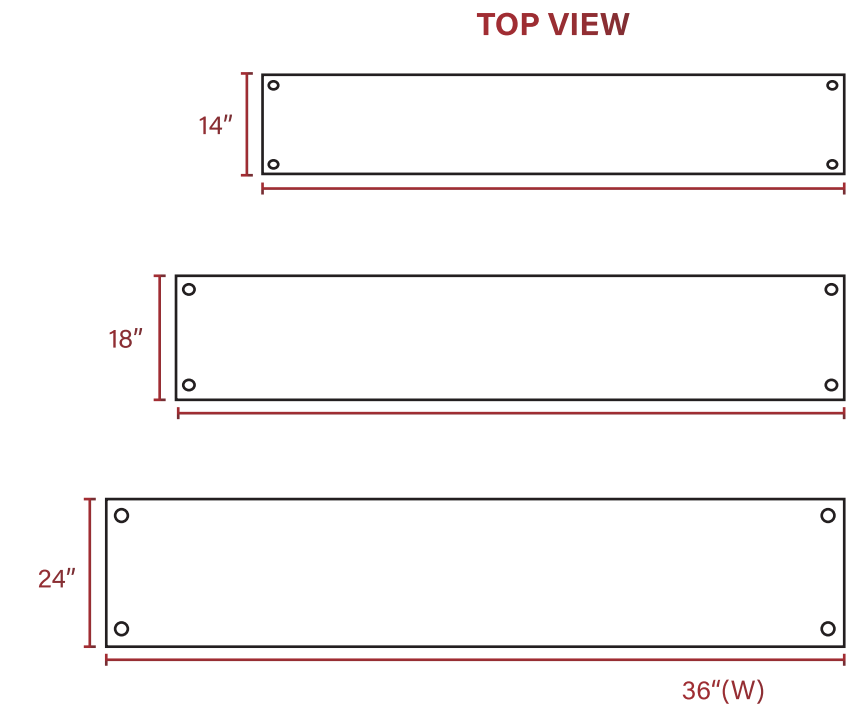
Model	EP = Epoxy CH = Chrome	Shipping Size	Product Size	Height	Weight
WP-64	(EP/CH)	25"W x 15"D x 7"H	14"D x 24"W	64"	15 lbs
WP-74	(EP/CH)	37"W x 15"D x 7"H	14"D x 36"W	74"	17 lbs
WP-86	(EP/CH)	49"W x 15"D x 7"H	14"D x 48"W	86"	20 lbs



# 14" Epoxy Wire Shelving & Posts

WS-1436EP

Size:	14"D x 36"W
Weight:	34 lbs
Width:	36 inches
Shipping Size:	37"W x 15"D x 7"H

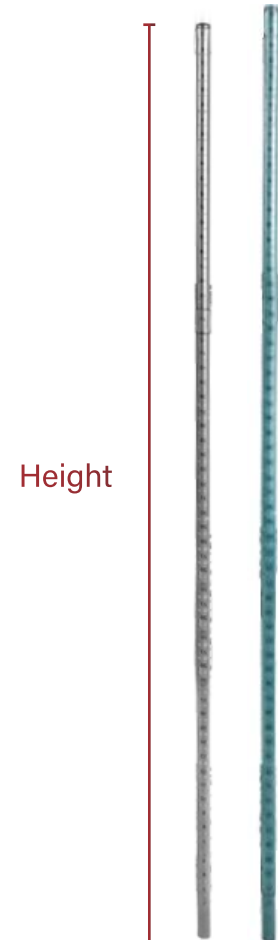


## 14" Epoxy Wire Shelving & Posts

### Features



- ✓ Provides long-lasting protection and extends shelf life.
- ✓ Inhibiting coating ideal for both wet and dry applications.
- ✓ Suitable for various environments including coolers, freezers, and dry storage.
- ✓ Shelves up to 48" support 600 lbs; shelves 54" and longer support 400 lbs.
- ✓ Coverage against rust and corrosion for added peace of mind.
- ✓ Designed for quick and straightforward assembly without the need for tools.
- ✓ Shelves can be positioned at different heights to accommodate varying storage needs.
- ✓ All units are shipped unassembled to minimize shipping costs and packaging waste.
- ✓ Available in various sizes and configurations to fit specific storage requirements.



### Chrome & Epoxy Wire Shelves

Model	EP = Epoxy CH = Chrome	Shipping Size	Product Size	Width	Weight
WS-1424	(EP/CH)	25"W x 15"D x 7"H	14"D x 24"W	24"	24 lbs
WS-1436	(EP/CH)	37"W x 15"D x 7"H	14"D x 36"W	36"	34 lbs
WS-1448	(EP/CH)	49"W x 15"D x 7"H	14"D x 48"W	48"	43 lbs
WS-1460	(EP/CH)	61"W x 15"D x 4"H	14"D x 60"W	60"	30 lbs
WS-1836	(EP/CH)	37"W x 19"D x 7"H	18"D x 36"W	36"	34 lbs
WS-1848	(EP/CH)	49"W x 19"D x 7"H	18"D x 48"W	48"	48 lbs
WS-1854	(EP/CH)	55"W x 19"D x 4"H	18"D x 54"W	54"	29 lbs
WS-1860	(EP/CH)	61"W x 19"D x 4"H	18"D x 60"W	60"	31 lbs
WS-1872	(EP/CH)	73"W x 19"D x 4"H	18"D x 72"W	72"	38 lbs
WS-2424	(EP/CH)	25"W x 25"D x 7"H	24"D x 24"W	24"	34 lbs
WS-2436	(EP/CH)	37"W x 25"D x 7"H	24"D x 36"W	36"	48 lbs
WS-2448	(EP/CH)	49"W x 25"D x 7"H	24"D x 48"W	48"	62 lbs
WS-2460	(EP/CH)	61"W x 25"D x 4"H	24"D x 60"W	60"	42 lbs
WS-2472	(EP/CH)	73"W x 25"D x 4"H	24"D x 72"W	72"	50 lbs

### Chrome & Epoxy Wire Posts

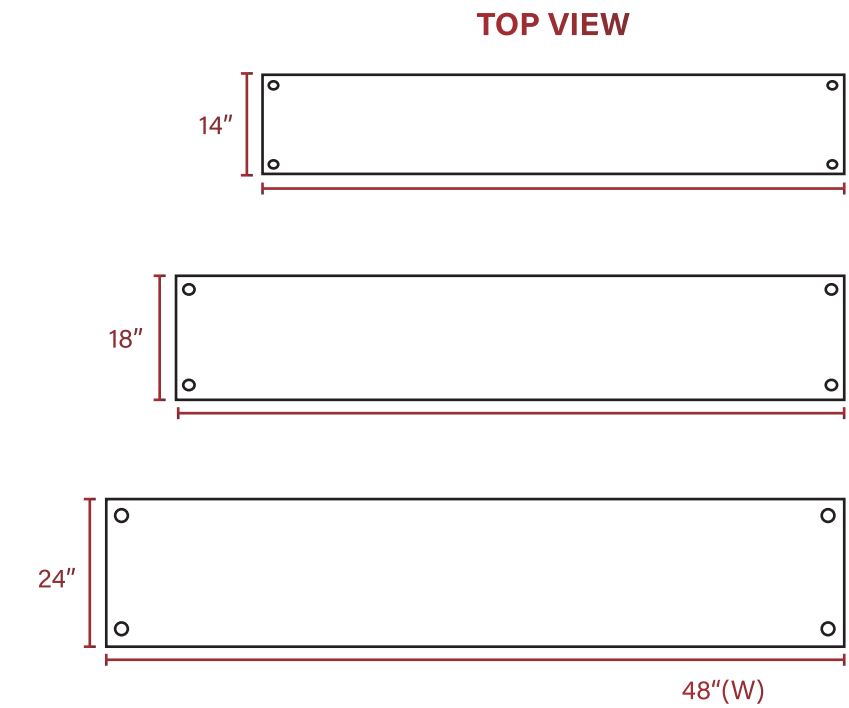
Model	EP = Epoxy CH = Chrome	Shipping Size	Product Size	Height	Weight
WP-64	(EP/CH)	25"W x 15"D x 7"H	14"D x 24"W	64"	15 lbs
WP-74	(EP/CH)	37"W x 15"D x 7"H	14"D x 36"W	74"	17 lbs
WP-86	(EP/CH)	49"W x 15"D x 7"H	14"D x 48"W	86"	20 lbs



# 14" Epoxy Wire Shelving & Posts

WS-1448EP

Size:	14"D x 48"W
Weight:	43 lbs
Width:	48 inches
Shipping Size:	49"W x 15"D x 7"H

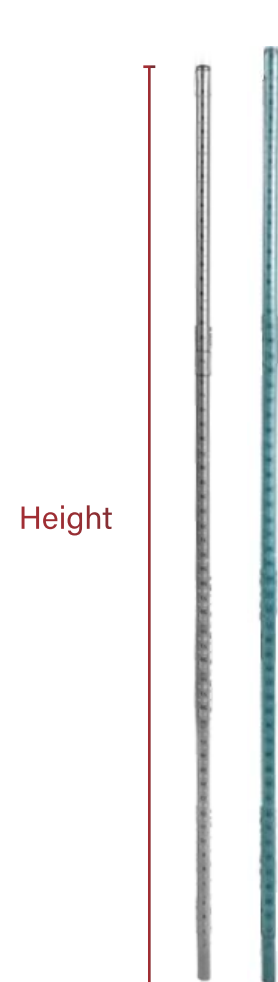


## 14" Epoxy Wire Shelving & Posts

### Features



- ✓ Provides long-lasting protection and extends shelf life.
- ✓ Inhibiting coating ideal for both wet and dry applications.
- ✓ Suitable for various environments including coolers, freezers, and dry storage.
- ✓ Shelves up to 48" support 600 lbs; shelves 54" and longer support 400 lbs.
- ✓ Coverage against rust and corrosion for added peace of mind.
- ✓ Designed for quick and straightforward assembly without the need for tools.
- ✓ Shelves can be positioned at different heights to accommodate varying storage needs.
- ✓ All units are shipped unassembled to minimize shipping costs and packaging waste.
- ✓ Available in various sizes and configurations to fit specific storage requirements.



### Chrome & Epoxy Wire Shelves

Model	EP = Epoxy CH = Chrome	Shipping Size	Product Size	Width	Weight
WS-1424	(EP/CH)	25"W x 15"D x 7"H	14"D x 24"W	24"	24 lbs
WS-1436	(EP/CH)	37"W x 15"D x 7"H	14"D x 36"W	36"	34 lbs
WS-1448	(EP/CH)	49"W x 15"D x 7"H	14"D x 48"W	48"	43 lbs
WS-1460	(EP/CH)	61"W x 15"D x 4"H	14"D x 60"W	60"	30 lbs
WS-1836	(EP/CH)	37"W x 19"D x 7"H	18"D x 36"W	36"	34 lbs
WS-1848	(EP/CH)	49"W x 19"D x 7"H	18"D x 48"W	48"	48 lbs
WS-1854	(EP/CH)	55"W x 19"D x 4"H	18"D x 54"W	54"	29 lbs
WS-1860	(EP/CH)	61"W x 19"D x 4"H	18"D x 60"W	60"	31 lbs
WS-1872	(EP/CH)	73"W x 19"D x 4"H	18"D x 72"W	72"	38 lbs
WS-2424	(EP/CH)	25"W x 25"D x 7"H	24"D x 24"W	24"	34 lbs
WS-2436	(EP/CH)	37"W x 25"D x 7"H	24"D x 36"W	36"	48 lbs
WS-2448	(EP/CH)	49"W x 25"D x 7"H	24"D x 48"W	48"	62 lbs
WS-2460	(EP/CH)	61"W x 25"D x 4"H	24"D x 60"W	60"	42 lbs
WS-2472	(EP/CH)	73"W x 25"D x 4"H	24"D x 72"W	72"	50 lbs

### Chrome & Epoxy Wire Posts

Model	EP = Epoxy CH = Chrome	Shipping Size	Product Size	Height	Weight
WP-64	(EP/CH)	25"W x 15"D x 7"H	14"D x 24"W	64"	15 lbs
WP-74	(EP/CH)	37"W x 15"D x 7"H	14"D x 36"W	74"	17 lbs
WP-86	(EP/CH)	49"W x 15"D x 7"H	14"D x 48"W	86"	20 lbs



## 14" Epoxy Wire Shelving & Posts

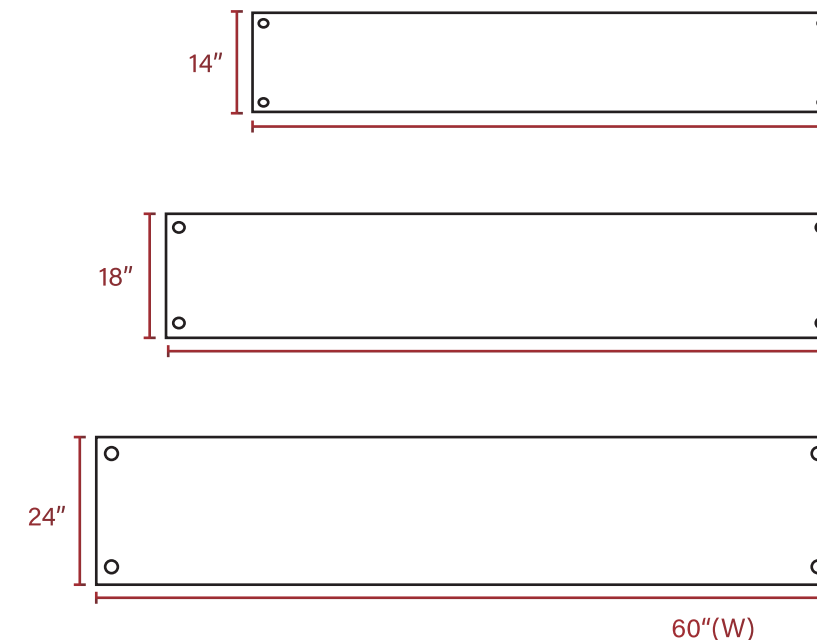
WS-1460EP

Size:	14"D x 60"W
Weight:	30 lbs
Width:	60 inches
Shipping Size:	61"W x 15"D x 4"H



### Wire Shelving

TOP VIEW



## 14" Epoxy Wire Shelving & Posts

### Features



- ✓ Provides long-lasting protection and extends shelf life.
- ✓ Inhibiting coating ideal for both wet and dry applications.
- ✓ Suitable for various environments including coolers, freezers, and dry storage.
- ✓ Shelves up to 48" support 600 lbs; shelves 54" and longer support 400 lbs.
- ✓ Coverage against rust and corrosion for added peace of mind.
- ✓ Designed for quick and straightforward assembly without the need for tools.
- ✓ Shelves can be positioned at different heights to accommodate varying storage needs.
- ✓ All units are shipped unassembled to minimize shipping costs and packaging waste.
- ✓ Available in various sizes and configurations to fit specific storage requirements.

Height

### Chrome & Epoxy Wire Shelves

Model	EP = Epoxy CH = Chrome	Shipping Size	Product Size	Width	Weight
WS-1424	(EP/CH)	25"W x 15"D x 7"H	14"D x 24"W	24"	24 lbs
WS-1436	(EP/CH)	37"W x 15"D x 7"H	14"D x 36"W	36"	34 lbs
WS-1448	(EP/CH)	49"W x 15"D x 7"H	14"D x 48"W	48"	43 lbs
WS-1460	(EP/CH)	61"W x 15"D x 4"H	14"D x 60"W	60"	30 lbs
WS-1836	(EP/CH)	37"W x 19"D x 7"H	18"D x 36"W	36"	34 lbs
WS-1848	(EP/CH)	49"W x 19"D x 7"H	18"D x 48"W	48"	48 lbs
WS-1854	(EP/CH)	55"W x 19"D x 4"H	18"D x 54"W	54"	29 lbs
WS-1860	(EP/CH)	61"W x 19"D x 4"H	18"D x 60"W	60"	31 lbs
WS-1872	(EP/CH)	73"W x 19"D x 4"H	18"D x 72"W	72"	38 lbs
WS-2424	(EP/CH)	25"W x 25"D x 7"H	24"D x 24"W	24"	34 lbs
WS-2436	(EP/CH)	37"W x 25"D x 7"H	24"D x 36"W	36"	48 lbs
WS-2448	(EP/CH)	49"W x 25"D x 7"H	24"D x 48"W	48"	62 lbs
WS-2460	(EP/CH)	61"W x 25"D x 4"H	24"D x 60"W	60"	42 lbs
WS-2472	(EP/CH)	73"W x 25"D x 4"H	24"D x 72"W	72"	50 lbs

### Chrome & Epoxy Wire Posts

Model	EP = Epoxy CH = Chrome	Shipping Size	Product Size	Height	Weight
WP-64	(EP/CH)	25"W x 15"D x 7"H	14"D x 24"W	64"	15 lbs
WP-74	(EP/CH)	37"W x 15"D x 7"H	14"D x 36"W	74"	17 lbs
WP-86	(EP/CH)	49"W x 15"D x 7"H	14"D x 48"W	86"	20 lbs



## 18" Epoxy Wire Shelving & Posts

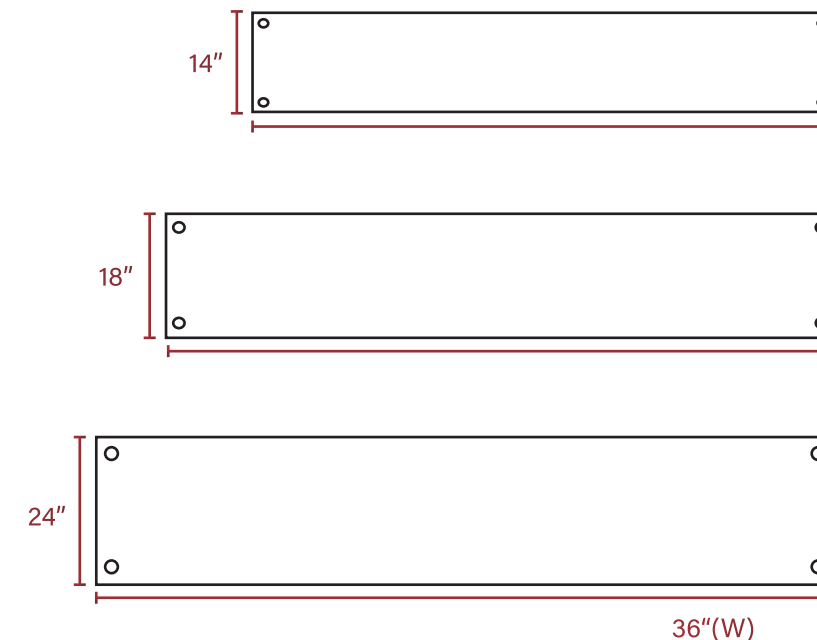
WS-1836EP

Size:	18"D x 36"W
Weight:	34 lbs
Width:	36 inches
Shipping Size:	37"W x 19"D x 7"H



### Wire Shelving

TOP VIEW



## 18" Epoxy Wire Shelving & Posts

### Features



- ✓ Provides long-lasting protection and extends shelf life.
- ✓ Inhibiting coating ideal for both wet and dry applications.
- ✓ Suitable for various environments including coolers, freezers, and dry storage.
- ✓ Shelves up to 48" support 600 lbs; shelves 54" and longer support 400 lbs.
- ✓ Coverage against rust and corrosion for added peace of mind.
- ✓ Designed for quick and straightforward assembly without the need for tools.
- ✓ Shelves can be positioned at different heights to accommodate varying storage needs.
- ✓ All units are shipped unassembled to minimize shipping costs and packaging waste.
- ✓ Available in various sizes and configurations to fit specific storage requirements.

Height

### Chrome & Epoxy Wire Shelves

Model	EP = Epoxy CH = Chrome	Shipping Size	Product Size	Width	Weight
WS-1424	(EP/CH)	25"W x 15"D x 7"H	14"D x 24"W	24"	24 lbs
WS-1436	(EP/CH)	37"W x 15"D x 7"H	14"D x 36"W	36"	34 lbs
WS-1448	(EP/CH)	49"W x 15"D x 7"H	14"D x 48"W	48"	43 lbs
WS-1460	(EP/CH)	61"W x 15"D x 4"H	14"D x 60"W	60"	30 lbs
WS-1836	(EP/CH)	37"W x 19"D x 7"H	18"D x 36"W	36"	34 lbs
WS-1848	(EP/CH)	49"W x 19"D x 7"H	18"D x 48"W	48"	48 lbs
WS-1854	(EP/CH)	55"W x 19"D x 4"H	18"D x 54"W	54"	29 lbs
WS-1860	(EP/CH)	61"W x 19"D x 4"H	18"D x 60"W	60"	31 lbs
WS-1872	(EP/CH)	73"W x 19"D x 4"H	18"D x 72"W	72"	38 lbs
WS-2424	(EP/CH)	25"W x 25"D x 7"H	24"D x 24"W	24"	34 lbs
WS-2436	(EP/CH)	37"W x 25"D x 7"H	24"D x 36"W	36"	48 lbs
WS-2448	(EP/CH)	49"W x 25"D x 7"H	24"D x 48"W	48"	62 lbs
WS-2460	(EP/CH)	61"W x 25"D x 4"H	24"D x 60"W	60"	42 lbs
WS-2472	(EP/CH)	73"W x 25"D x 4"H	24"D x 72"W	72"	50 lbs

### Chrome & Epoxy Wire Posts

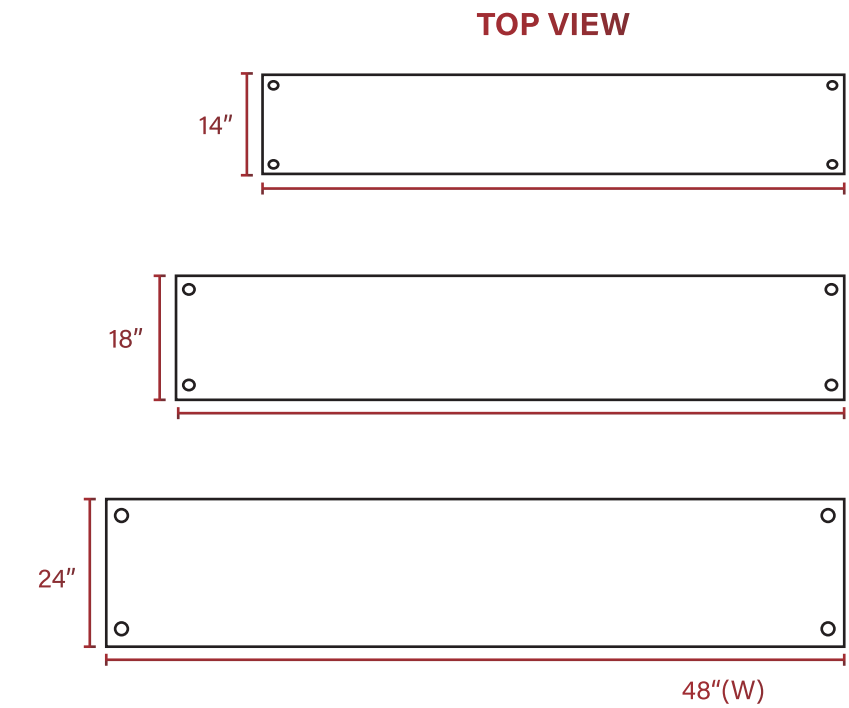
Model	EP = Epoxy CH = Chrome	Shipping Size	Product Size	Height	Weight
WP-64	(EP/CH)	25"W x 15"D x 7"H	14"D x 24"W	64"	15 lbs
WP-74	(EP/CH)	37"W x 15"D x 7"H	14"D x 36"W	74"	17 lbs
WP-86	(EP/CH)	49"W x 15"D x 7"H	14"D x 48"W	86"	20 lbs



## 18" Epoxy Wire Shelving & Posts

WS-1848EP

Size:	18"D x 48"W
Weight:	48 lbs
Width:	48 inches
Shipping Size:	49"W x 19"D x 7"H

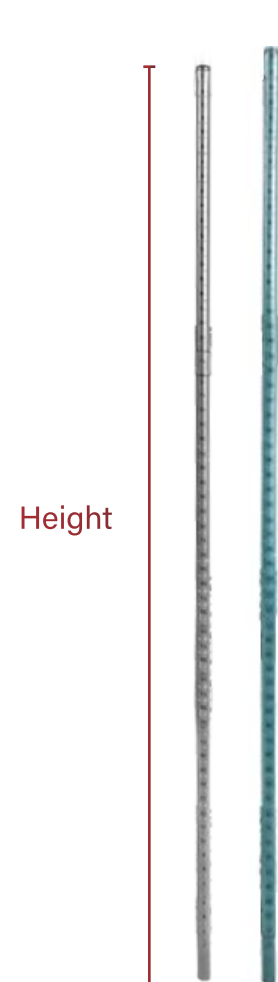


## 18" Epoxy Wire Shelving & Posts

### Features



- ✓ Provides long-lasting protection and extends shelf life.
- ✓ Inhibiting coating ideal for both wet and dry applications.
- ✓ Suitable for various environments including coolers, freezers, and dry storage.
- ✓ Shelves up to 48" support 600 lbs; shelves 54" and longer support 400 lbs.
- ✓ Coverage against rust and corrosion for added peace of mind.
- ✓ Designed for quick and straightforward assembly without the need for tools.
- ✓ Shelves can be positioned at different heights to accommodate varying storage needs.
- ✓ All units are shipped unassembled to minimize shipping costs and packaging waste.
- ✓ Available in various sizes and configurations to fit specific storage requirements.



### Chrome & Epoxy Wire Shelves

Model	EP = Epoxy CH = Chrome	Shipping Size	Product Size	Width	Weight
WS-1424	(EP/CH)	25"W x 15"D x 7"H	14"D x 24"W	24"	24 lbs
WS-1436	(EP/CH)	37"W x 15"D x 7"H	14"D x 36"W	36"	34 lbs
WS-1448	(EP/CH)	49"W x 15"D x 7"H	14"D x 48"W	48"	43 lbs
WS-1460	(EP/CH)	61"W x 15"D x 4"H	14"D x 60"W	60"	30 lbs
WS-1836	(EP/CH)	37"W x 19"D x 7"H	18"D x 36"W	36"	34 lbs
WS-1848	(EP/CH)	49"W x 19"D x 7"H	18"D x 48"W	48"	48 lbs
WS-1854	(EP/CH)	55"W x 19"D x 4"H	18"D x 54"W	54"	29 lbs
WS-1860	(EP/CH)	61"W x 19"D x 4"H	18"D x 60"W	60"	31 lbs
WS-1872	(EP/CH)	73"W x 19"D x 4"H	18"D x 72"W	72"	38 lbs
WS-2424	(EP/CH)	25"W x 25"D x 7"H	24"D x 24"W	24"	34 lbs
WS-2436	(EP/CH)	37"W x 25"D x 7"H	24"D x 36"W	36"	48 lbs
WS-2448	(EP/CH)	49"W x 25"D x 7"H	24"D x 48"W	48"	62 lbs
WS-2460	(EP/CH)	61"W x 25"D x 4"H	24"D x 60"W	60"	42 lbs
WS-2472	(EP/CH)	73"W x 25"D x 4"H	24"D x 72"W	72"	50 lbs

### Chrome & Epoxy Wire Posts

Model	EP = Epoxy CH = Chrome	Shipping Size	Product Size	Height	Weight
WP-64	(EP/CH)	25"W x 15"D x 7"H	14"D x 24"W	64"	15 lbs
WP-74	(EP/CH)	37"W x 15"D x 7"H	14"D x 36"W	74"	17 lbs
WP-86	(EP/CH)	49"W x 15"D x 7"H	14"D x 48"W	86"	20 lbs

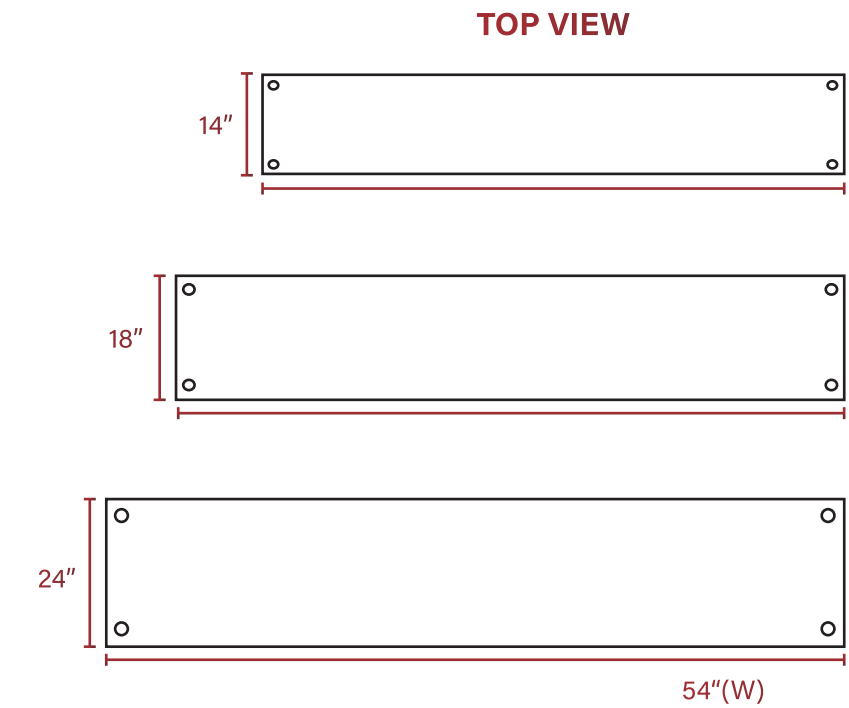




## 18" Epoxy Wire Shelving & Posts

WS-1854EP

Size:	18"D x 54"W
Weight:	29 lbs
Width:	54 inches
Shipping Size:	55"W x 19"D x 4"H



## 18" Epoxy Wire Shelving & Posts

### Features



- ✓ Provides long-lasting protection and extends shelf life.
- ✓ Inhibiting coating ideal for both wet and dry applications.
- ✓ Suitable for various environments including coolers, freezers, and dry storage.
- ✓ Shelves up to 48" support 600 lbs; shelves 54" and longer support 400 lbs.
- ✓ Coverage against rust and corrosion for added peace of mind.
- ✓ Designed for quick and straightforward assembly without the need for tools.
- ✓ Shelves can be positioned at different heights to accommodate varying storage needs.
- ✓ All units are shipped unassembled to minimize shipping costs and packaging waste.
- ✓ Available in various sizes and configurations to fit specific storage requirements.

Height

### Chrome & Epoxy Wire Shelves

Model	EP = Epoxy CH = Chrome	Shipping Size	Product Size	Width	Weight
WS-1424	(EP/CH)	25"W x 15"D x 7"H	14"D x 24"W	24"	24 lbs
WS-1436	(EP/CH)	37"W x 15"D x 7"H	14"D x 36"W	36"	34 lbs
WS-1448	(EP/CH)	49"W x 15"D x 7"H	14"D x 48"W	48"	43 lbs
WS-1460	(EP/CH)	61"W x 15"D x 4"H	14"D x 60"W	60"	30 lbs
WS-1836	(EP/CH)	37"W x 19"D x 7"H	18"D x 36"W	36"	34 lbs
WS-1848	(EP/CH)	49"W x 19"D x 7"H	18"D x 48"W	48"	48 lbs
WS-1854	(EP/CH)	55"W x 19"D x 4"H	18"D x 54"W	54"	29 lbs
WS-1860	(EP/CH)	61"W x 19"D x 4"H	18"D x 60"W	60"	31 lbs
WS-1872	(EP/CH)	73"W x 19"D x 4"H	18"D x 72"W	72"	38 lbs
WS-2424	(EP/CH)	25"W x 25"D x 7"H	24"D x 24"W	24"	34 lbs
WS-2436	(EP/CH)	37"W x 25"D x 7"H	24"D x 36"W	36"	48 lbs
WS-2448	(EP/CH)	49"W x 25"D x 7"H	24"D x 48"W	48"	62 lbs
WS-2460	(EP/CH)	61"W x 25"D x 4"H	24"D x 60"W	60"	42 lbs
WS-2472	(EP/CH)	73"W x 25"D x 4"H	24"D x 72"W	72"	50 lbs

### Chrome & Epoxy Wire Posts

Model	EP = Epoxy CH = Chrome	Shipping Size	Product Size	Height	Weight
WP-64	(EP/CH)	25"W x 15"D x 7"H	14"D x 24"W	64"	15 lbs
WP-74	(EP/CH)	37"W x 15"D x 7"H	14"D x 36"W	74"	17 lbs
WP-86	(EP/CH)	49"W x 15"D x 7"H	14"D x 48"W	86"	20 lbs



## 18" Epoxy Wire Shelving & Posts

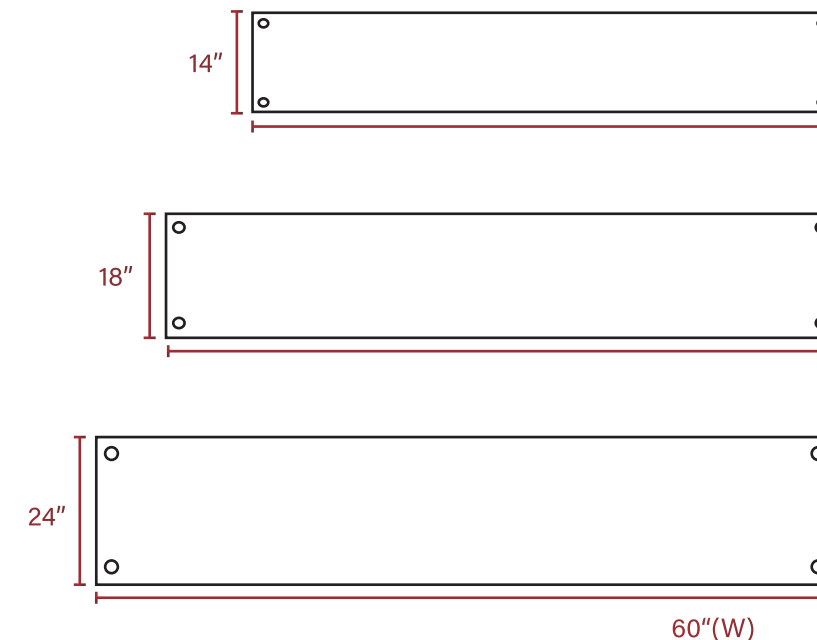
WS-1860EP

Size:	18"D x 60"W
Weight:	31 lbs
Width:	60 inches
Shipping Size:	61"W x 19"D x 4"H



### Wire Shelving

TOP VIEW



## 18" Epoxy Wire Shelving & Posts

### Features



- ✓ Provides long-lasting protection and extends shelf life.
- ✓ Inhibiting coating ideal for both wet and dry applications.
- ✓ Suitable for various environments including coolers, freezers, and dry storage.
- ✓ Shelves up to 48" support 600 lbs; shelves 54" and longer support 400 lbs.
- ✓ Coverage against rust and corrosion for added peace of mind.
- ✓ Designed for quick and straightforward assembly without the need for tools.
- ✓ Shelves can be positioned at different heights to accommodate varying storage needs.
- ✓ All units are shipped unassembled to minimize shipping costs and packaging waste.
- ✓ Available in various sizes and configurations to fit specific storage requirements.

Height

### Chrome & Epoxy Wire Shelves

Model	EP = Epoxy CH = Chrome	Shipping Size	Product Size	Width	Weight
WS-1424	(EP/CH)	25"W x 15"D x 7"H	14"D x 24"W	24"	24 lbs
WS-1436	(EP/CH)	37"W x 15"D x 7"H	14"D x 36"W	36"	34 lbs
WS-1448	(EP/CH)	49"W x 15"D x 7"H	14"D x 48"W	48"	43 lbs
WS-1460	(EP/CH)	61"W x 15"D x 4"H	14"D x 60"W	60"	30 lbs
WS-1836	(EP/CH)	37"W x 19"D x 7"H	18"D x 36"W	36"	34 lbs
WS-1848	(EP/CH)	49"W x 19"D x 7"H	18"D x 48"W	48"	48 lbs
WS-1854	(EP/CH)	55"W x 19"D x 4"H	18"D x 54"W	54"	29 lbs
WS-1860	(EP/CH)	61"W x 19"D x 4"H	18"D x 60"W	60"	31 lbs
WS-1872	(EP/CH)	73"W x 19"D x 4"H	18"D x 72"W	72"	38 lbs
WS-2424	(EP/CH)	25"W x 25"D x 7"H	24"D x 24"W	24"	34 lbs
WS-2436	(EP/CH)	37"W x 25"D x 7"H	24"D x 36"W	36"	48 lbs
WS-2448	(EP/CH)	49"W x 25"D x 7"H	24"D x 48"W	48"	62 lbs
WS-2460	(EP/CH)	61"W x 25"D x 4"H	24"D x 60"W	60"	42 lbs
WS-2472	(EP/CH)	73"W x 25"D x 4"H	24"D x 72"W	72"	50 lbs

### Chrome & Epoxy Wire Posts

Model	EP = Epoxy CH = Chrome	Shipping Size	Product Size	Height	Weight
WP-64	(EP/CH)	25"W x 15"D x 7"H	14"D x 24"W	64"	15 lbs
WP-74	(EP/CH)	37"W x 15"D x 7"H	14"D x 36"W	74"	17 lbs
WP-86	(EP/CH)	49"W x 15"D x 7"H	14"D x 48"W	86"	20 lbs



## 18" Epoxy Wire Shelving & Posts

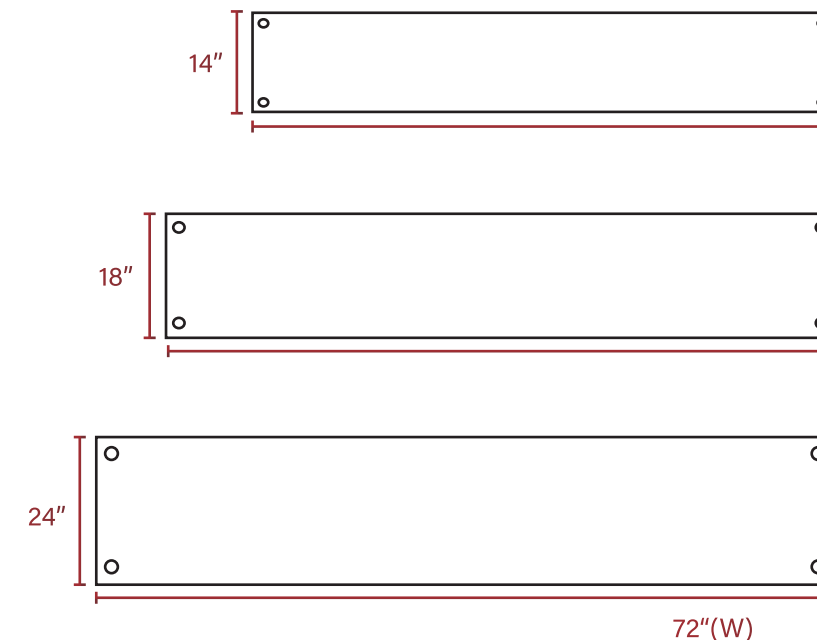
WS-1872-EP

Size:	18"D x 72"W
Weight:	38 lbs
Width:	72 inches
Shipping Size:	73"W x 19"D x 4"H



### Wire Shelving

TOP VIEW



## 18" Epoxy Wire Shelving & Posts

### Features



- ✓ Provides long-lasting protection and extends shelf life.
- ✓ Inhibiting coating ideal for both wet and dry applications.
- ✓ Suitable for various environments including coolers, freezers, and dry storage.
- ✓ Shelves up to 48" support 600 lbs; shelves 54" and longer support 400 lbs.
- ✓ Coverage against rust and corrosion for added peace of mind.
- ✓ Designed for quick and straightforward assembly without the need for tools.
- ✓ Shelves can be positioned at different heights to accommodate varying storage needs.
- ✓ All units are shipped unassembled to minimize shipping costs and packaging waste.
- ✓ Available in various sizes and configurations to fit specific storage requirements.

Height

### Chrome & Epoxy Wire Shelves

Model	EP = Epoxy CH = Chrome	Shipping Size	Product Size	Width	Weight
WS-1424	(EP/CH)	25"W x 15"D x 7"H	14"D x 24"W	24"	24 lbs
WS-1436	(EP/CH)	37"W x 15"D x 7"H	14"D x 36"W	36"	34 lbs
WS-1448	(EP/CH)	49"W x 15"D x 7"H	14"D x 48"W	48"	43 lbs
WS-1460	(EP/CH)	61"W x 15"D x 4"H	14"D x 60"W	60"	30 lbs
WS-1836	(EP/CH)	37"W x 19"D x 7"H	18"D x 36"W	36"	34 lbs
WS-1848	(EP/CH)	49"W x 19"D x 7"H	18"D x 48"W	48"	48 lbs
WS-1854	(EP/CH)	55"W x 19"D x 4"H	18"D x 54"W	54"	29 lbs
WS-1860	(EP/CH)	61"W x 19"D x 4"H	18"D x 60"W	60"	31 lbs
WS-1872	(EP/CH)	73"W x 19"D x 4"H	18"D x 72"W	72"	38 lbs
WS-2424	(EP/CH)	25"W x 25"D x 7"H	24"D x 24"W	24"	34 lbs
WS-2436	(EP/CH)	37"W x 25"D x 7"H	24"D x 36"W	36"	48 lbs
WS-2448	(EP/CH)	49"W x 25"D x 7"H	24"D x 48"W	48"	62 lbs
WS-2460	(EP/CH)	61"W x 25"D x 4"H	24"D x 60"W	60"	42 lbs
WS-2472	(EP/CH)	73"W x 25"D x 4"H	24"D x 72"W	72"	50 lbs

### Chrome & Epoxy Wire Posts

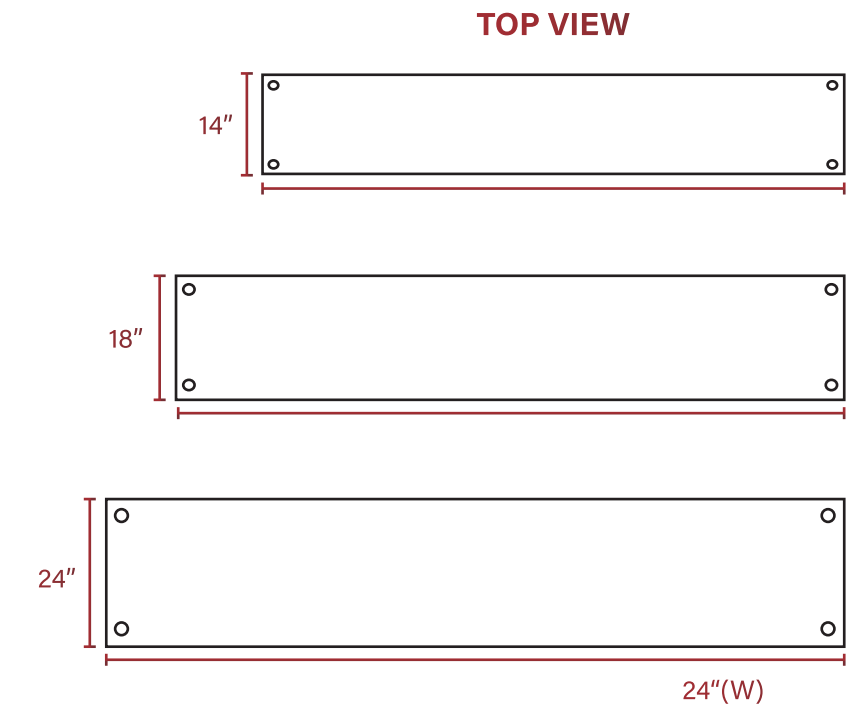
Model	EP = Epoxy CH = Chrome	Shipping Size	Product Size	Height	Weight
WP-64	(EP/CH)	25"W x 15"D x 7"H	14"D x 24"W	64"	15 lbs
WP-74	(EP/CH)	37"W x 15"D x 7"H	14"D x 36"W	74"	17 lbs
WP-86	(EP/CH)	49"W x 15"D x 7"H	14"D x 48"W	86"	20 lbs



## 24" Epoxy Wire Shelving & Posts

WS-2424-EP

Size:	24"D x 24"W
Weight:	34 lbs
Width:	24 inches
Shipping Size:	25"W x 25"D x 7"H

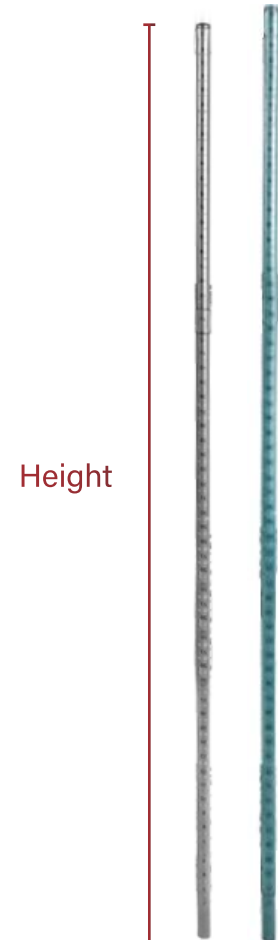


## 24" Epoxy Wire Shelving & Posts

### Features



- ✓ Provides long-lasting protection and extends shelf life.
- ✓ Inhibiting coating ideal for both wet and dry applications.
- ✓ Suitable for various environments including coolers, freezers, and dry storage.
- ✓ Shelves up to 48" support 600 lbs; shelves 54" and longer support 400 lbs.
- ✓ Coverage against rust and corrosion for added peace of mind.
- ✓ Designed for quick and straightforward assembly without the need for tools.
- ✓ Shelves can be positioned at different heights to accommodate varying storage needs.
- ✓ All units are shipped unassembled to minimize shipping costs and packaging waste.
- ✓ Available in various sizes and configurations to fit specific storage requirements.



### Chrome & Epoxy Wire Shelves

Model	EP = Epoxy CH = Chrome	Shipping Size	Product Size	Width	Weight
WS-1424	(EP/CH)	25"W x 15"D x 7"H	14"D x 24"W	24"	24 lbs
WS-1436	(EP/CH)	37"W x 15"D x 7"H	14"D x 36"W	36"	34 lbs
WS-1448	(EP/CH)	49"W x 15"D x 7"H	14"D x 48"W	48"	43 lbs
WS-1460	(EP/CH)	61"W x 15"D x 4"H	14"D x 60"W	60"	30 lbs
WS-1836	(EP/CH)	37"W x 19"D x 7"H	18"D x 36"W	36"	34 lbs
WS-1848	(EP/CH)	49"W x 19"D x 7"H	18"D x 48"W	48"	48 lbs
WS-1854	(EP/CH)	55"W x 19"D x 4"H	18"D x 54"W	54"	29 lbs
WS-1860	(EP/CH)	61"W x 19"D x 4"H	18"D x 60"W	60"	31 lbs
WS-1872	(EP/CH)	73"W x 19"D x 4"H	18"D x 72"W	72"	38 lbs
WS-2424	(EP/CH)	25"W x 25"D x 7"H	24"D x 24"W	24"	34 lbs
WS-2436	(EP/CH)	37"W x 25"D x 7"H	24"D x 36"W	36"	48 lbs
WS-2448	(EP/CH)	49"W x 25"D x 7"H	24"D x 48"W	48"	62 lbs
WS-2460	(EP/CH)	61"W x 25"D x 4"H	24"D x 60"W	60"	42 lbs
WS-2472	(EP/CH)	73"W x 25"D x 4"H	24"D x 72"W	72"	50 lbs

### Chrome & Epoxy Wire Posts

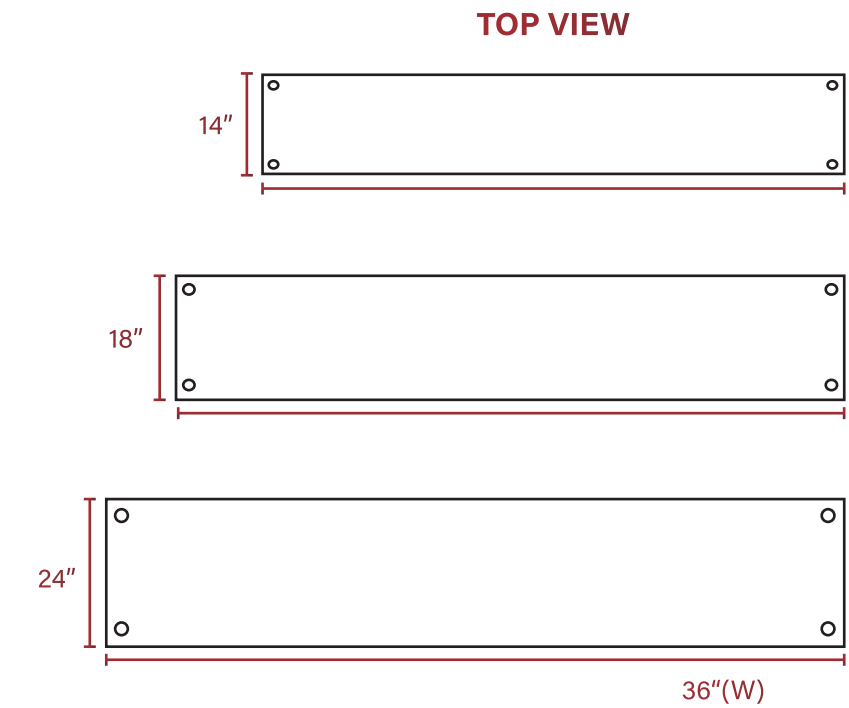
Model	EP = Epoxy CH = Chrome	Shipping Size	Product Size	Height	Weight
WP-64	(EP/CH)	25"W x 15"D x 7"H	14"D x 24"W	64"	15 lbs
WP-74	(EP/CH)	37"W x 15"D x 7"H	14"D x 36"W	74"	17 lbs
WP-86	(EP/CH)	49"W x 15"D x 7"H	14"D x 48"W	86"	20 lbs



## 24" Epoxy Wire Shelving & Posts

WS-2436-EP

Size:	24"D x 36"W
Weight:	48 lbs
Width:	36 inches
Shipping Size:	37"W x 25"D x 7"H



## 24" Epoxy Wire Shelving & Posts

### Features



- ✓ Provides long-lasting protection and extends shelf life.
- ✓ Inhibiting coating ideal for both wet and dry applications.
- ✓ Suitable for various environments including coolers, freezers, and dry storage.
- ✓ Shelves up to 48" support 600 lbs; shelves 54" and longer support 400 lbs.
- ✓ Coverage against rust and corrosion for added peace of mind.
- ✓ Designed for quick and straightforward assembly without the need for tools.
- ✓ Shelves can be positioned at different heights to accommodate varying storage needs.
- ✓ All units are shipped unassembled to minimize shipping costs and packaging waste.
- ✓ Available in various sizes and configurations to fit specific storage requirements.

Height

### Chrome & Epoxy Wire Shelves

Model	EP = Epoxy CH = Chrome	Shipping Size	Product Size	Width	Weight
WS-1424	(EP/CH)	25"W x 15"D x 7"H	14"D x 24"W	24"	24 lbs
WS-1436	(EP/CH)	37"W x 15"D x 7"H	14"D x 36"W	36"	34 lbs
WS-1448	(EP/CH)	49"W x 15"D x 7"H	14"D x 48"W	48"	43 lbs
WS-1460	(EP/CH)	61"W x 15"D x 4"H	14"D x 60"W	60"	30 lbs
WS-1836	(EP/CH)	37"W x 19"D x 7"H	18"D x 36"W	36"	34 lbs
WS-1848	(EP/CH)	49"W x 19"D x 7"H	18"D x 48"W	48"	48 lbs
WS-1854	(EP/CH)	55"W x 19"D x 4"H	18"D x 54"W	54"	29 lbs
WS-1860	(EP/CH)	61"W x 19"D x 4"H	18"D x 60"W	60"	31 lbs
WS-1872	(EP/CH)	73"W x 19"D x 4"H	18"D x 72"W	72"	38 lbs
WS-2424	(EP/CH)	25"W x 25"D x 7"H	24"D x 24"W	24"	34 lbs
WS-2436	(EP/CH)	37"W x 25"D x 7"H	24"D x 36"W	36"	48 lbs
WS-2448	(EP/CH)	49"W x 25"D x 7"H	24"D x 48"W	48"	62 lbs
WS-2460	(EP/CH)	61"W x 25"D x 4"H	24"D x 60"W	60"	42 lbs
WS-2472	(EP/CH)	73"W x 25"D x 4"H	24"D x 72"W	72"	50 lbs

### Chrome & Epoxy Wire Posts

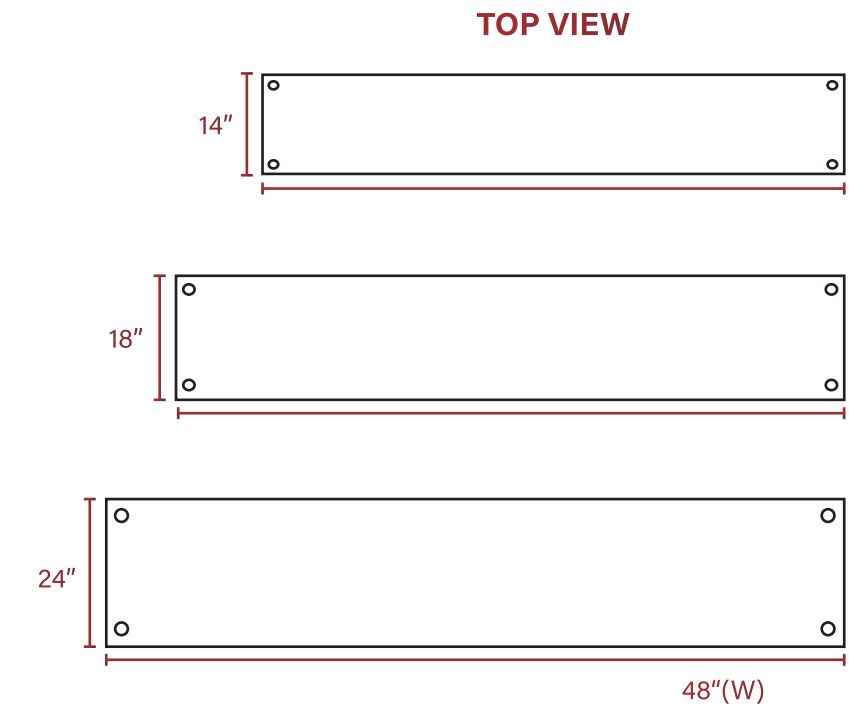
Model	EP = Epoxy CH = Chrome	Shipping Size	Product Size	Height	Weight
WP-64	(EP/CH)	25"W x 15"D x 7"H	14"D x 24"W	64"	15 lbs
WP-74	(EP/CH)	37"W x 15"D x 7"H	14"D x 36"W	74"	17 lbs
WP-86	(EP/CH)	49"W x 15"D x 7"H	14"D x 48"W	86"	20 lbs



## 24" Epoxy Wire Shelving & Posts

WS-2448EP

Size:	24"D x 48"W
Weight:	62 lbs
Width:	48 inches
Shipping Size:	49"W x 25"D x 7"H



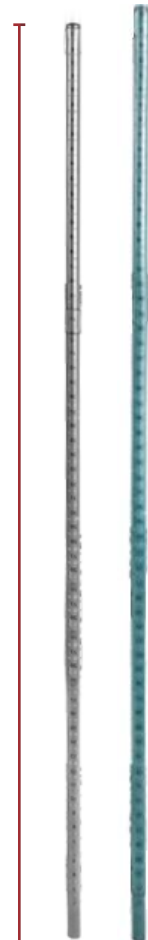
## 24" Epoxy Wire Shelving & Posts

### Features



- ✓ Provides long-lasting protection and extends shelf life.
- ✓ Inhibiting coating ideal for both wet and dry applications.
- ✓ Suitable for various environments including coolers, freezers, and dry storage.
- ✓ Shelves up to 48" support 600 lbs; shelves 54" and longer support 400 lbs.
- ✓ Coverage against rust and corrosion for added peace of mind.
- ✓ Designed for quick and straightforward assembly without the need for tools.
- ✓ Shelves can be positioned at different heights to accommodate varying storage needs.
- ✓ All units are shipped unassembled to minimize shipping costs and packaging waste.
- ✓ Available in various sizes and configurations to fit specific storage requirements.

Height



### Chrome & Epoxy Wire Shelves

Model	EP = Epoxy CH = Chrome	Shipping Size	Product Size	Width	Weight
WS-1424	(EP/CH)	25"W x 15"D x 7"H	14"D x 24"W	24"	24 lbs
WS-1436	(EP/CH)	37"W x 15"D x 7"H	14"D x 36"W	36"	34 lbs
WS-1448	(EP/CH)	49"W x 15"D x 7"H	14"D x 48"W	48"	43 lbs
WS-1460	(EP/CH)	61"W x 15"D x 4"H	14"D x 60"W	60"	30 lbs
WS-1836	(EP/CH)	37"W x 19"D x 7"H	18"D x 36"W	36"	34 lbs
WS-1848	(EP/CH)	49"W x 19"D x 7"H	18"D x 48"W	48"	48 lbs
WS-1854	(EP/CH)	55"W x 19"D x 4"H	18"D x 54"W	54"	29 lbs
WS-1860	(EP/CH)	61"W x 19"D x 4"H	18"D x 60"W	60"	31 lbs
WS-1872	(EP/CH)	73"W x 19"D x 4"H	18"D x 72"W	72"	38 lbs
WS-2424	(EP/CH)	25"W x 25"D x 7"H	24"D x 24"W	24"	34 lbs
WS-2436	(EP/CH)	37"W x 25"D x 7"H	24"D x 36"W	36"	48 lbs
WS-2448	(EP/CH)	49"W x 25"D x 7"H	24"D x 48"W	48"	62 lbs
WS-2460	(EP/CH)	61"W x 25"D x 4"H	24"D x 60"W	60"	42 lbs
WS-2472	(EP/CH)	73"W x 25"D x 4"H	24"D x 72"W	72"	50 lbs

### Chrome & Epoxy Wire Posts

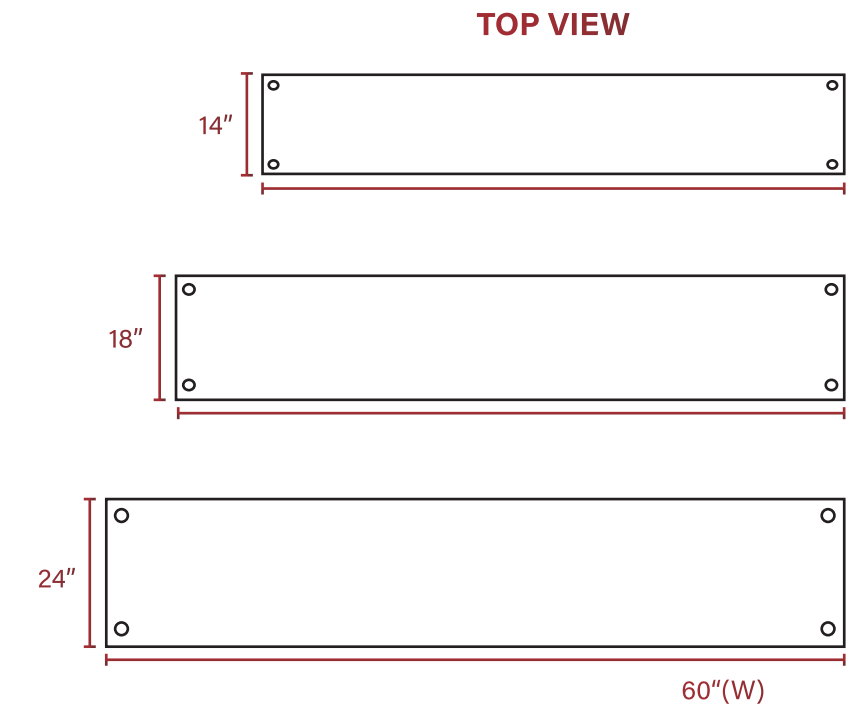
Model	EP = Epoxy CH = Chrome	Shipping Size	Product Size	Height	Weight
WP-64	(EP/CH)	25"W x 15"D x 7"H	14"D x 24"W	64"	15 lbs
WP-74	(EP/CH)	37"W x 15"D x 7"H	14"D x 36"W	74"	17 lbs
WP-86	(EP/CH)	49"W x 15"D x 7"H	14"D x 48"W	86"	20 lbs



## 24" Epoxy Wire Shelving & Posts

WS-2460EP

Size:	24"D x 60"W
Weight:	42 lbs
Width:	60 inches
Shipping Size:	61"W x 25"D x 4"H

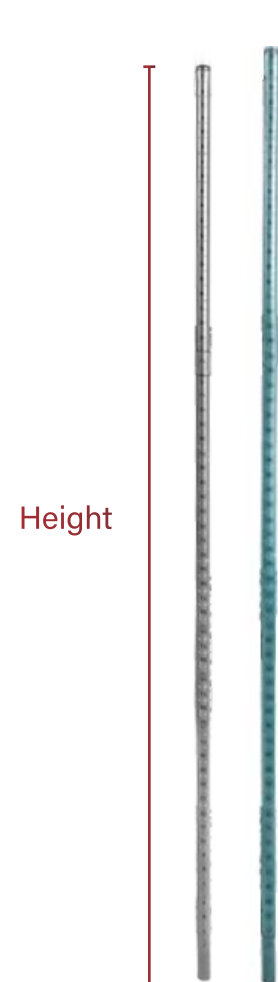


## 24" Epoxy Wire Shelving & Posts

### Features



- ✓ Provides long-lasting protection and extends shelf life.
- ✓ Inhibiting coating ideal for both wet and dry applications.
- ✓ Suitable for various environments including coolers, freezers, and dry storage.
- ✓ Shelves up to 48" support 600 lbs; shelves 54" and longer support 400 lbs.
- ✓ Coverage against rust and corrosion for added peace of mind.
- ✓ Designed for quick and straightforward assembly without the need for tools.
- ✓ Shelves can be positioned at different heights to accommodate varying storage needs.
- ✓ All units are shipped unassembled to minimize shipping costs and packaging waste.
- ✓ Available in various sizes and configurations to fit specific storage requirements.



### Chrome & Epoxy Wire Shelves

Model	EP = Epoxy CH = Chrome	Shipping Size	Product Size	Width	Weight
WS-1424	(EP/CH)	25"W x 15"D x 7"H	14"D x 24"W	24"	24 lbs
WS-1436	(EP/CH)	37"W x 15"D x 7"H	14"D x 36"W	36"	34 lbs
WS-1448	(EP/CH)	49"W x 15"D x 7"H	14"D x 48"W	48"	43 lbs
WS-1460	(EP/CH)	61"W x 15"D x 4"H	14"D x 60"W	60"	30 lbs
WS-1836	(EP/CH)	37"W x 19"D x 7"H	18"D x 36"W	36"	34 lbs
WS-1848	(EP/CH)	49"W x 19"D x 7"H	18"D x 48"W	48"	48 lbs
WS-1854	(EP/CH)	55"W x 19"D x 4"H	18"D x 54"W	54"	29 lbs
WS-1860	(EP/CH)	61"W x 19"D x 4"H	18"D x 60"W	60"	31 lbs
WS-1872	(EP/CH)	73"W x 19"D x 4"H	18"D x 72"W	72"	38 lbs
WS-2424	(EP/CH)	25"W x 25"D x 7"H	24"D x 24"W	24"	34 lbs
WS-2436	(EP/CH)	37"W x 25"D x 7"H	24"D x 36"W	36"	48 lbs
WS-2448	(EP/CH)	49"W x 25"D x 7"H	24"D x 48"W	48"	62 lbs
WS-2460	(EP/CH)	61"W x 25"D x 4"H	24"D x 60"W	60"	42 lbs
WS-2472	(EP/CH)	73"W x 25"D x 4"H	24"D x 72"W	72"	50 lbs

### Chrome & Epoxy Wire Posts

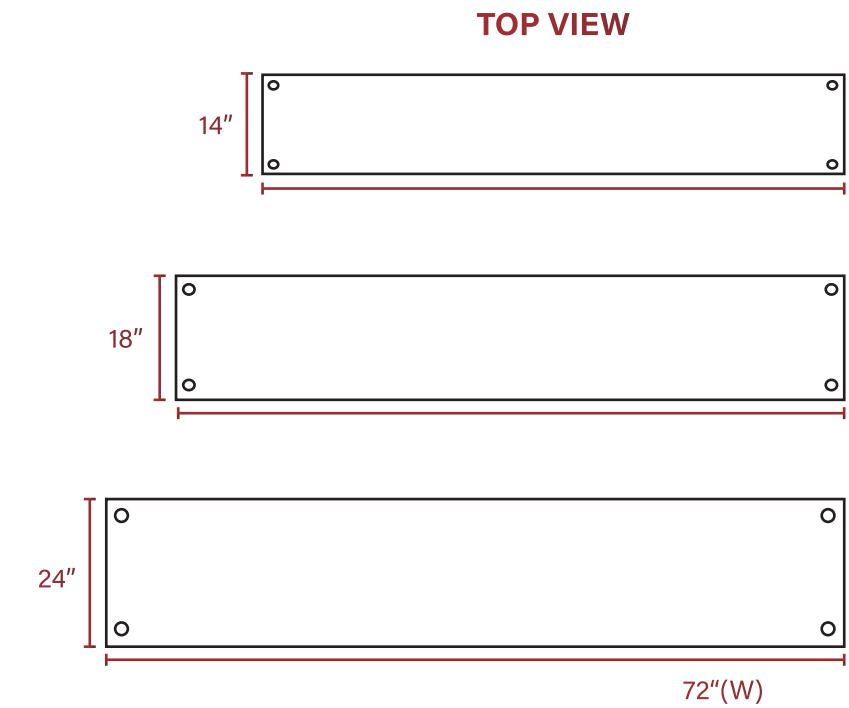
Model	EP = Epoxy CH = Chrome	Shipping Size	Product Size	Height	Weight
WP-64	(EP/CH)	25"W x 15"D x 7"H	14"D x 24"W	64"	15 lbs
WP-74	(EP/CH)	37"W x 15"D x 7"H	14"D x 36"W	74"	17 lbs
WP-86	(EP/CH)	49"W x 15"D x 7"H	14"D x 48"W	86"	20 lbs



## 24" Epoxy Wire Shelving & Posts

WS-2472EP

Size:	24"D x 72"W
Weight:	50 lbs
Width:	72 inches
Shipping Size:	73"W x 25"D x 4"H

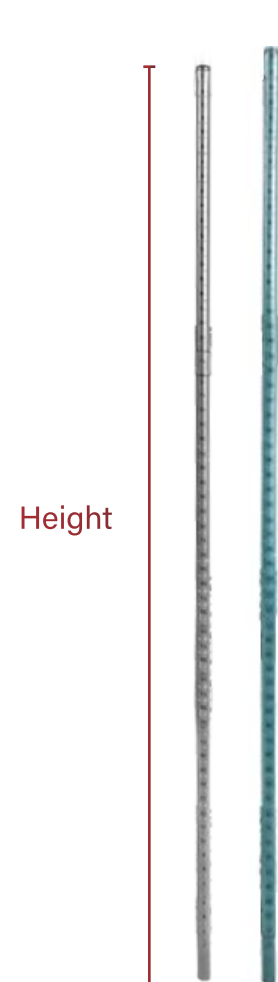


## 24" Epoxy Wire Shelving & Posts

### Features



- ✓ Provides long-lasting protection and extends shelf life.
- ✓ Inhibiting coating ideal for both wet and dry applications.
- ✓ Suitable for various environments including coolers, freezers, and dry storage.
- ✓ Shelves up to 48" support 600 lbs; shelves 54" and longer support 400 lbs.
- ✓ Coverage against rust and corrosion for added peace of mind.
- ✓ Designed for quick and straightforward assembly without the need for tools.
- ✓ Shelves can be positioned at different heights to accommodate varying storage needs.
- ✓ All units are shipped unassembled to minimize shipping costs and packaging waste.
- ✓ Available in various sizes and configurations to fit specific storage requirements.



Height

### Chrome & Epoxy Wire Shelves

Model	Shipping Size	Product Size	Width	Weight
WS-1424(EP/CH)	25"W x 15"D x 7"H	14"D x 24"W	24"	24 lbs
WS-1436(EP/CH)	37"W x 15"D x 7"H	14"D x 36"W	36"	34 lbs
WS-1448(EP/CH)	49"W x 15"D x 7"H	14"D x 48"W	48"	43 lbs
WS-1460(EP/CH)	61"W x 15"D x 4"H	14"D x 60"W	60"	30 lbs
WS-1836(EP/CH)	37"W x 19"D x 7"H	18"D x 36"W	36"	34 lbs
WS-1848(EP/CH)	49"W x 19"D x 7"H	18"D x 48"W	48"	48 lbs
WS-1854(EP/CH)	55"W x 19"D x 4"H	18"D x 54"W	54"	29 lbs
WS-1860(EP/CH)	61"W x 19"D x 4"H	18"D x 60"W	60"	31 lbs
WS-1872(EP/CH)	73"W x 19"D x 4"H	18"D x 72"W	72"	38 lbs
WS-2424(EP/CH)	25"W x 25"D x 7"H	24"D x 24"W	24"	34 lbs
WS-2436(EP/CH)	37"W x 25"D x 7"H	24"D x 36"W	36"	48 lbs
WS-2448(EP/CH)	49"W x 25"D x 7"H	24"D x 48"W	48"	62 lbs
WS-2460(EP/CH)	61"W x 25"D x 4"H	24"D x 60"W	60"	42 lbs
WS-2472(EP/CH)	73"W x 25"D x 4"H	24"D x 72"W	72"	50 lbs

### Chrome & Epoxy Wire Posts

Model	Shipping Size	Product Size	Height	Weight
WP-64(EP/CH)	25"W x 15"D x 7"H	14"D x 24"W	64"	15 lbs
WP-74(EP/CH)	37"W x 15"D x 7"H	14"D x 36"W	74"	17 lbs
WP-86(EP/CH)	49"W x 15"D x 7"H	14"D x 48"W	86"	20 lbs

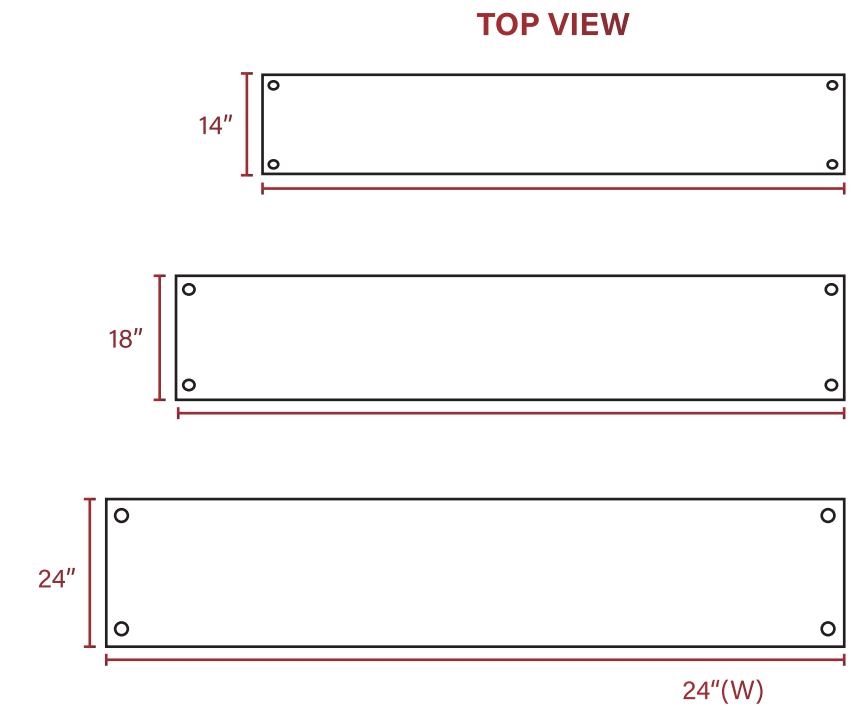




## 14" Chrome Wire Shelving & Posts

WS-1424CH

Size:	14"D x 24"W
Weight:	24 lbs
Width:	24 inches
Shipping Size:	25"W x 15"D x 7"H



## 14" Chrome Wire Shelving & Posts

### Features



- ✓ Provides long-lasting protection and extends shelf life.
- ✓ Ideal for showcasing and non-wet environments
- ✓ Suitable for various environments including coolers, freezers, and dry storage.
- ✓ Shelves up to 48" support 600 lbs; shelves 54" and longer support 400 lbs.
- ✓ Coverage against rust and corrosion for added peace of mind.
- ✓ Designed for quick and straightforward assembly without the need for tools.
- ✓ Shelves can be positioned at different heights to accommodate varying storage needs.
- ✓ All units are shipped unassembled to minimize shipping costs and packaging waste.
- ✓ Available in various sizes and configurations to fit specific storage requirements.

Height

### Chrome & Epoxy Wire Shelves

Model	EP = Epoxy CH = Chrome	Shipping Size	Product Size	Width	Weight
WS-1424	(EP/CH)	25"W x 15"D x 7"H	14"D x 24"W	24"	24 lbs
WS-1436	(EP/CH)	37"W x 15"D x 7"H	14"D x 36"W	36"	34 lbs
WS-1448	(EP/CH)	49"W x 15"D x 7"H	14"D x 48"W	48"	43 lbs
WS-1460	(EP/CH)	61"W x 15"D x 4"H	14"D x 60"W	60"	30 lbs
WS-1836	(EP/CH)	37"W x 19"D x 7"H	18"D x 36"W	36"	34 lbs
WS-1848	(EP/CH)	49"W x 19"D x 7"H	18"D x 48"W	48"	48 lbs
WS-1854	(EP/CH)	55"W x 19"D x 4"H	18"D x 54"W	54"	29 lbs
WS-1860	(EP/CH)	61"W x 19"D x 4"H	18"D x 60"W	60"	31 lbs
WS-1872	(EP/CH)	73"W x 19"D x 4"H	18"D x 72"W	72"	38 lbs
WS-2424	(EP/CH)	25"W x 25"D x 7"H	24"D x 24"W	24"	34 lbs
WS-2436	(EP/CH)	37"W x 25"D x 7"H	24"D x 36"W	36"	48 lbs
WS-2448	(EP/CH)	49"W x 25"D x 7"H	24"D x 48"W	48"	62 lbs
WS-2460	(EP/CH)	61"W x 25"D x 4"H	24"D x 60"W	60"	42 lbs
WS-2472	(EP/CH)	73"W x 25"D x 4"H	24"D x 72"W	72"	50 lbs

### Chrome & Epoxy Wire Posts

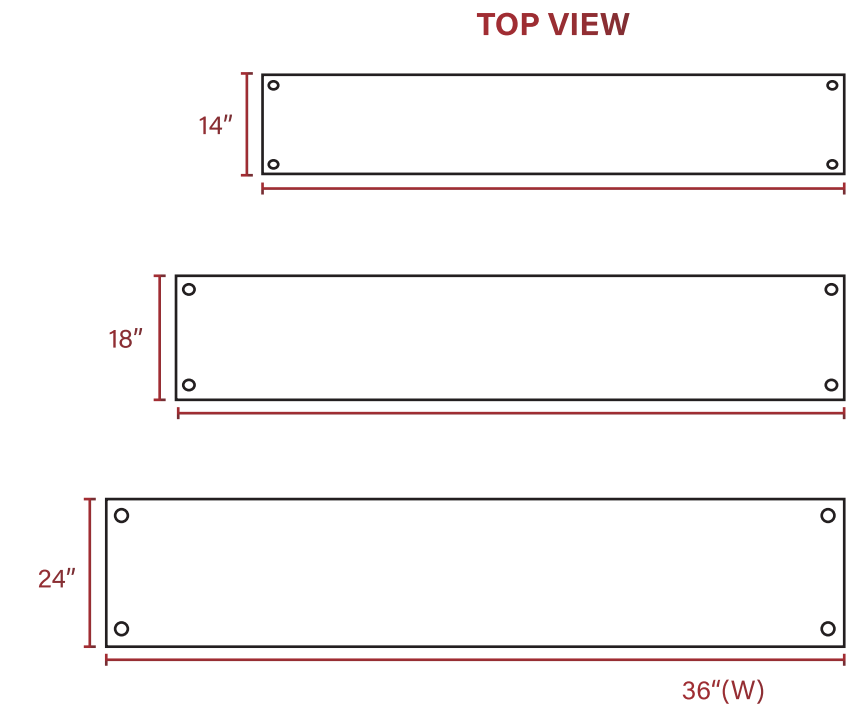
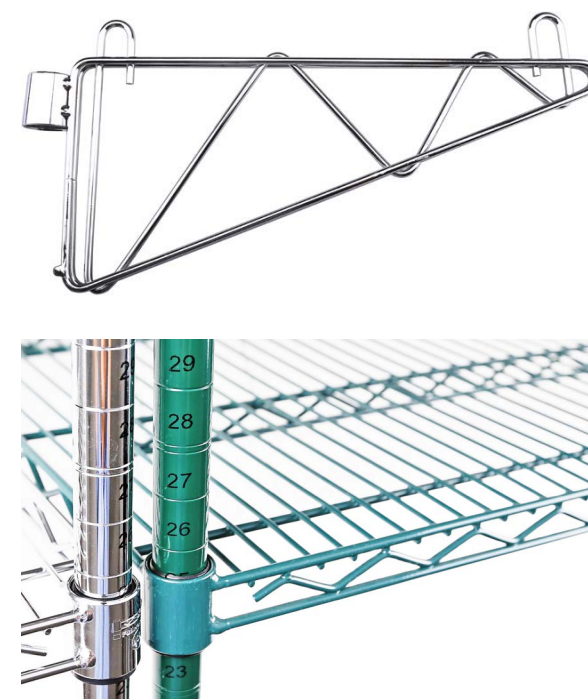
Model	EP = Epoxy CH = Chrome	Shipping Size	Product Size	Height	Weight
WP-64	(EP/CH)	25"W x 15"D x 7"H	14"D x 24"W	64"	15 lbs
WP-74	(EP/CH)	37"W x 15"D x 7"H	14"D x 36"W	74"	17 lbs
WP-86	(EP/CH)	49"W x 15"D x 7"H	14"D x 48"W	86"	20 lbs



# 14" Chrome Wire Shelving & Posts

WS-1436CH

Size:	14"D x 36"W
Weight:	34 lbs
Width:	36 inches
Shipping Size:	37"W x 15"D x 7"H

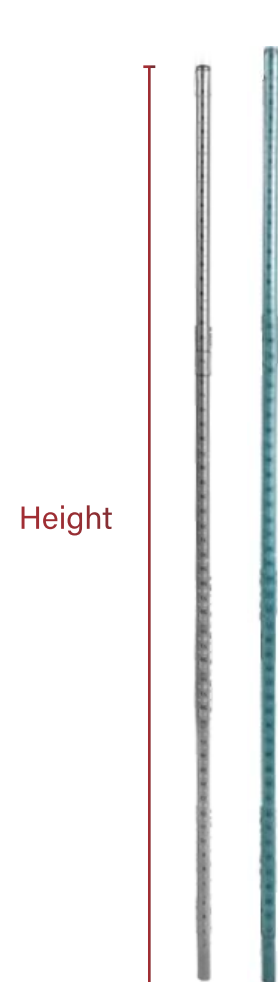


## 14" Chrome Wire Shelving & Posts

### Features



- ✓ Provides long-lasting protection and extends shelf life.
- ✓ Ideal for showcasing and non-wet environments
- ✓ Suitable for various environments including coolers, freezers, and dry storage.
- ✓ Shelves up to 48" support 600 lbs; shelves 54" and longer support 400 lbs.
- ✓ Coverage against rust and corrosion for added peace of mind.
- ✓ Designed for quick and straightforward assembly without the need for tools.
- ✓ Shelves can be positioned at different heights to accommodate varying storage needs.
- ✓ All units are shipped unassembled to minimize shipping costs and packaging waste.
- ✓ Available in various sizes and configurations to fit specific storage requirements.



Height

### Chrome & Epoxy Wire Shelves

Model	Shipping Size	Product Size	Width	Weight
WS-1424(EP/CH)	25"W x 15"D x 7"H	14"D x 24"W	24"	24 lbs
WS-1436(EP/CH)	37"W x 15"D x 7"H	14"D x 36"W	36"	34 lbs
WS-1448(EP/CH)	49"W x 15"D x 7"H	14"D x 48"W	48"	43 lbs
WS-1460(EP/CH)	61"W x 15"D x 4"H	14"D x 60"W	60"	30 lbs
WS-1836(EP/CH)	37"W x 19"D x 7"H	18"D x 36"W	36"	34 lbs
WS-1848(EP/CH)	49"W x 19"D x 7"H	18"D x 48"W	48"	48 lbs
WS-1854(EP/CH)	55"W x 19"D x 4"H	18"D x 54"W	54"	29 lbs
WS-1860(EP/CH)	61"W x 19"D x 4"H	18"D x 60"W	60"	31 lbs
WS-1872(EP/CH)	73"W x 19"D x 4"H	18"D x 72"W	72"	38 lbs
WS-2424(EP/CH)	25"W x 25"D x 7"H	24"D x 24"W	24"	34 lbs
WS-2436(EP/CH)	37"W x 25"D x 7"H	24"D x 36"W	36"	48 lbs
WS-2448(EP/CH)	49"W x 25"D x 7"H	24"D x 48"W	48"	62 lbs
WS-2460(EP/CH)	61"W x 25"D x 4"H	24"D x 60"W	60"	42 lbs
WS-2472(EP/CH)	73"W x 25"D x 4"H	24"D x 72"W	72"	50 lbs

### Chrome & Epoxy Wire Posts

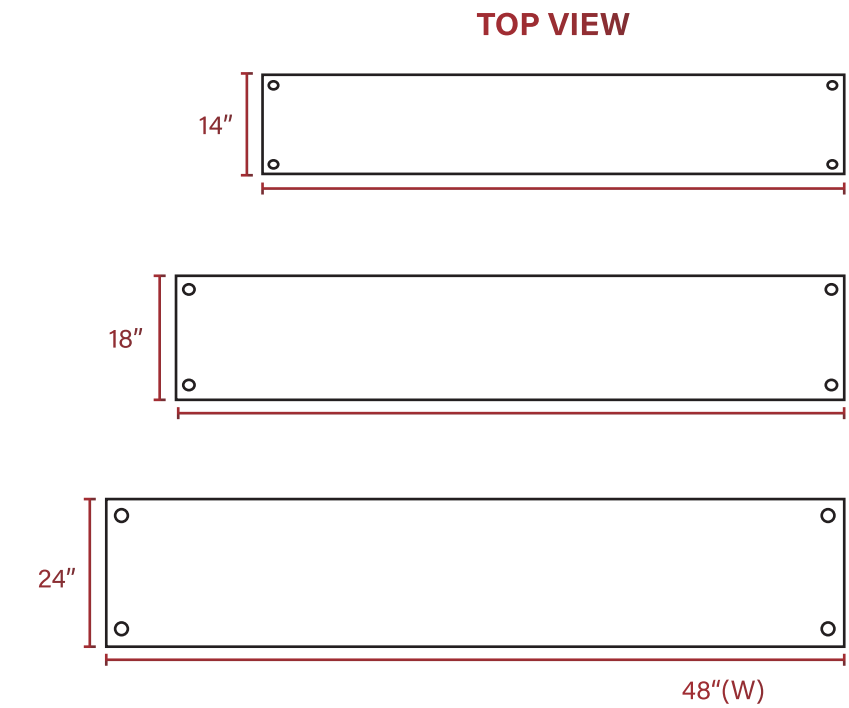
Model	Shipping Size	Product Size	Height	Weight
WP-64(EP/CH)	25"W x 15"D x 7"H	14"D x 24"W	64"	15 lbs
WP-74(EP/CH)	37"W x 15"D x 7"H	14"D x 36"W	74"	17 lbs
WP-86(EP/CH)	49"W x 15"D x 7"H	14"D x 48"W	86"	20 lbs



## 14" Chrome Wire Shelving & Posts

WS-1448CH

Size:	14"D x 48"W
Weight:	43 lbs
Width:	48 inches
Shipping Size:	49"W x 15"D x 7"H



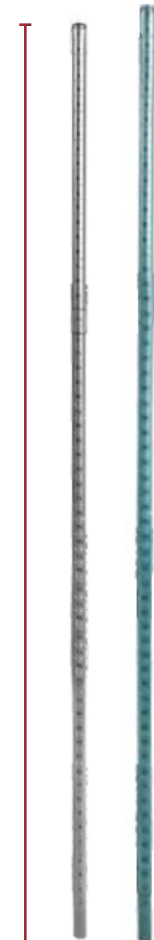
### 14" Chrome Wire Shelving & Posts

#### Features



- ✓ Provides long-lasting protection and extends shelf life.
- ✓ Ideal for showcasing and non-wet environments
- ✓ Suitable for various environments including coolers, freezers, and dry storage.
- ✓ Shelves up to 48" support 600 lbs; shelves 54" and longer support 400 lbs.
- ✓ Coverage against rust and corrosion for added peace of mind.
- ✓ Designed for quick and straightforward assembly without the need for tools.
- ✓ Shelves can be positioned at different heights to accommodate varying storage needs.
- ✓ All units are shipped unassembled to minimize shipping costs and packaging waste.
- ✓ Available in various sizes and configurations to fit specific storage requirements.

Height



#### Chrome & Epoxy Wire Shelves

Model	EP = Epoxy CH = Chrome	Shipping Size	Product Size	Width	Weight
WS-1424	(EP/CH)	25"W x 15"D x 7"H	14"D x 24"W	24"	24 lbs
WS-1436	(EP/CH)	37"W x 15"D x 7"H	14"D x 36"W	36"	34 lbs
WS-1448	(EP/CH)	49"W x 15"D x 7"H	14"D x 48"W	48"	43 lbs
WS-1460	(EP/CH)	61"W x 15"D x 4"H	14"D x 60"W	60"	30 lbs
WS-1836	(EP/CH)	37"W x 19"D x 7"H	18"D x 36"W	36"	34 lbs
WS-1848	(EP/CH)	49"W x 19"D x 7"H	18"D x 48"W	48"	48 lbs
WS-1854	(EP/CH)	55"W x 19"D x 4"H	18"D x 54"W	54"	29 lbs
WS-1860	(EP/CH)	61"W x 19"D x 4"H	18"D x 60"W	60"	31 lbs
WS-1872	(EP/CH)	73"W x 19"D x 4"H	18"D x 72"W	72"	38 lbs
WS-2424	(EP/CH)	25"W x 25"D x 7"H	24"D x 24"W	24"	34 lbs
WS-2436	(EP/CH)	37"W x 25"D x 7"H	24"D x 36"W	36"	48 lbs
WS-2448	(EP/CH)	49"W x 25"D x 7"H	24"D x 48"W	48"	62 lbs
WS-2460	(EP/CH)	61"W x 25"D x 4"H	24"D x 60"W	60"	42 lbs
WS-2472	(EP/CH)	73"W x 25"D x 4"H	24"D x 72"W	72"	50 lbs

#### Chrome & Epoxy Wire Posts

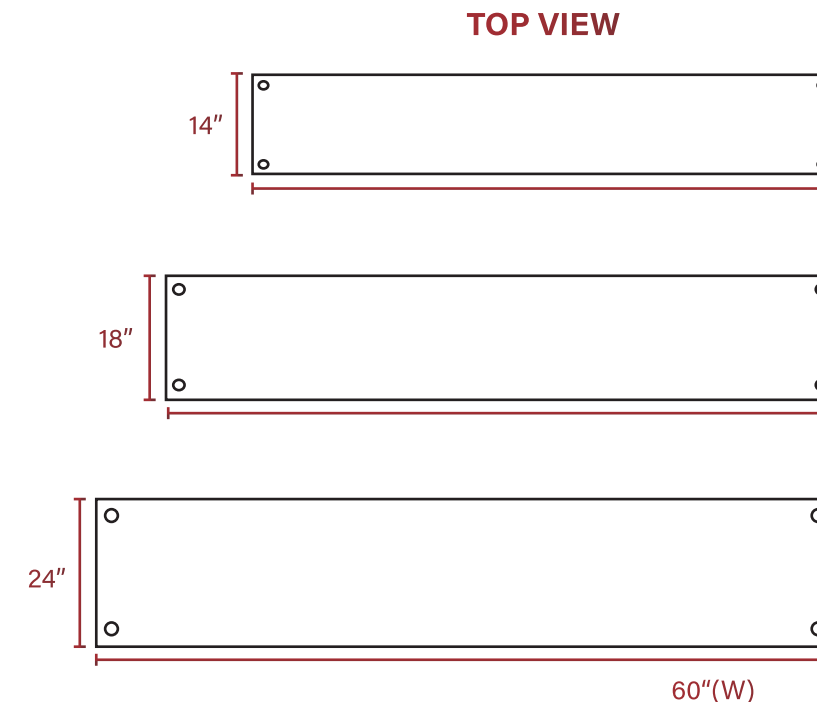
Model	EP = Epoxy CH = Chrome	Shipping Size	Product Size	Height	Weight
WP-64	(EP/CH)	25"W x 15"D x 7"H	14"D x 24"W	64"	15 lbs
WP-74	(EP/CH)	37"W x 15"D x 7"H	14"D x 36"W	74"	17 lbs
WP-86	(EP/CH)	49"W x 15"D x 7"H	14"D x 48"W	86"	20 lbs



## 14" Chrome Wire Shelving & Posts

WS-1460CH

Size:	14"D x 60"W
Weight:	30 lbs
Width:	60 inches
Shipping Size:	61"W x 15"D x 4"H



## 14" Chrome Wire Shelving & Posts

### Features



- ✓ Provides long-lasting protection and extends shelf life.
- ✓ Ideal for showcasing and non-wet environments
- ✓ Suitable for various environments including coolers, freezers, and dry storage.
- ✓ Shelves up to 48" support 600 lbs; shelves 54" and longer support 400 lbs.
- ✓ Coverage against rust and corrosion for added peace of mind.
- ✓ Designed for quick and straightforward assembly without the need for tools.
- ✓ Shelves can be positioned at different heights to accommodate varying storage needs.
- ✓ All units are shipped unassembled to minimize shipping costs and packaging waste.
- ✓ Available in various sizes and configurations to fit specific storage requirements.

Height

### Chrome & Epoxy Wire Shelves

Model	EP = Epoxy CH = Chrome	Shipping Size	Product Size	Width	Weight
WS-1424	(EP/CH)	25"W x 15"D x 7"H	14"D x 24"W	24"	24 lbs
WS-1436	(EP/CH)	37"W x 15"D x 7"H	14"D x 36"W	36"	34 lbs
WS-1448	(EP/CH)	49"W x 15"D x 7"H	14"D x 48"W	48"	43 lbs
WS-1460	(EP/CH)	61"W x 15"D x 4"H	14"D x 60"W	60"	30 lbs
WS-1836	(EP/CH)	37"W x 19"D x 7"H	18"D x 36"W	36"	34 lbs
WS-1848	(EP/CH)	49"W x 19"D x 7"H	18"D x 48"W	48"	48 lbs
WS-1854	(EP/CH)	55"W x 19"D x 4"H	18"D x 54"W	54"	29 lbs
WS-1860	(EP/CH)	61"W x 19"D x 4"H	18"D x 60"W	60"	31 lbs
WS-1872	(EP/CH)	73"W x 19"D x 4"H	18"D x 72"W	72"	38 lbs
WS-2424	(EP/CH)	25"W x 25"D x 7"H	24"D x 24"W	24"	34 lbs
WS-2436	(EP/CH)	37"W x 25"D x 7"H	24"D x 36"W	36"	48 lbs
WS-2448	(EP/CH)	49"W x 25"D x 7"H	24"D x 48"W	48"	62 lbs
WS-2460	(EP/CH)	61"W x 25"D x 4"H	24"D x 60"W	60"	42 lbs
WS-2472	(EP/CH)	73"W x 25"D x 4"H	24"D x 72"W	72"	50 lbs

### Chrome & Epoxy Wire Posts

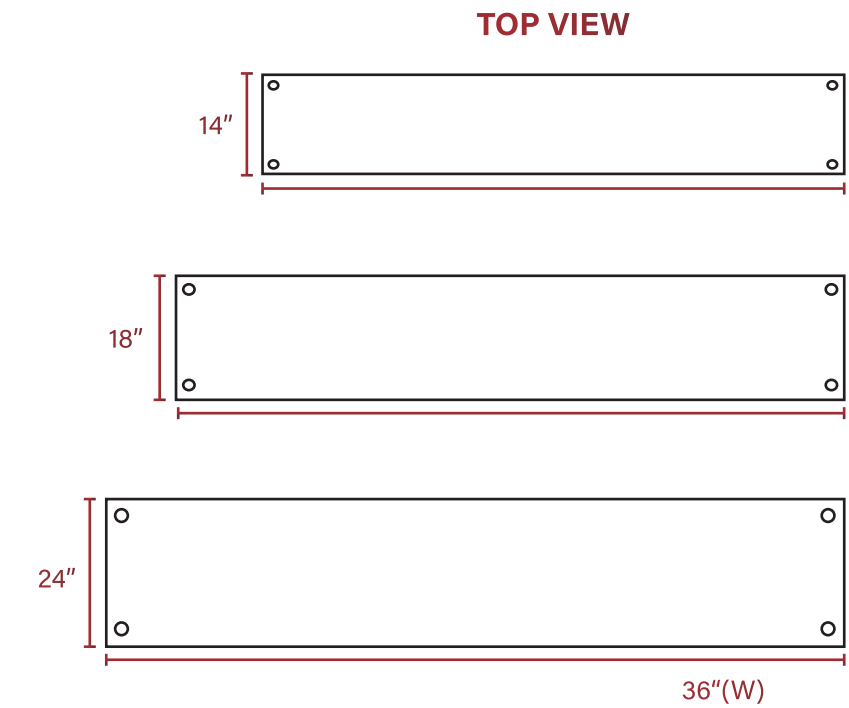
Model	EP = Epoxy CH = Chrome	Shipping Size	Product Size	Height	Weight
WP-64	(EP/CH)	25"W x 15"D x 7"H	14"D x 24"W	64"	15 lbs
WP-74	(EP/CH)	37"W x 15"D x 7"H	14"D x 36"W	74"	17 lbs
WP-86	(EP/CH)	49"W x 15"D x 7"H	14"D x 48"W	86"	20 lbs



## 18" Chrome Wire Shelving & Posts

WS-1836CH

Size:	18"D x 36"W
Weight:	34 lbs
Width:	36 inches
Shipping Size:	37"W x 19"D x 7"H



### 18" Chrome Wire Shelving & Posts

#### Features



- ✓ Provides long-lasting protection and extends shelf life.
- ✓ Ideal for showcasing and non-wet environments
- ✓ Suitable for various environments including coolers, freezers, and dry storage.
- ✓ Shelves up to 48" support 600 lbs; shelves 54" and longer support 400 lbs.
- ✓ Coverage against rust and corrosion for added peace of mind.
- ✓ Designed for quick and straightforward assembly without the need for tools.
- ✓ Shelves can be positioned at different heights to accommodate varying storage needs.
- ✓ All units are shipped unassembled to minimize shipping costs and packaging waste.
- ✓ Available in various sizes and configurations to fit specific storage requirements.

Height

#### Chrome & Epoxy Wire Shelves

Model	EP = Epoxy CH = Chrome	Shipping Size	Product Size	Width	Weight
WS-1424	(EP/CH)	25"W x 15"D x 7"H	14"D x 24"W	24"	24 lbs
WS-1436	(EP/CH)	37"W x 15"D x 7"H	14"D x 36"W	36"	34 lbs
WS-1448	(EP/CH)	49"W x 15"D x 7"H	14"D x 48"W	48"	43 lbs
WS-1460	(EP/CH)	61"W x 15"D x 4"H	14"D x 60"W	60"	30 lbs
WS-1836	(EP/CH)	37"W x 19"D x 7"H	18"D x 36"W	36"	34 lbs
WS-1848	(EP/CH)	49"W x 19"D x 7"H	18"D x 48"W	48"	48 lbs
WS-1854	(EP/CH)	55"W x 19"D x 4"H	18"D x 54"W	54"	29 lbs
WS-1860	(EP/CH)	61"W x 19"D x 4"H	18"D x 60"W	60"	31 lbs
WS-1872	(EP/CH)	73"W x 19"D x 4"H	18"D x 72"W	72"	38 lbs
WS-2424	(EP/CH)	25"W x 25"D x 7"H	24"D x 24"W	24"	34 lbs
WS-2436	(EP/CH)	37"W x 25"D x 7"H	24"D x 36"W	36"	48 lbs
WS-2448	(EP/CH)	49"W x 25"D x 7"H	24"D x 48"W	48"	62 lbs
WS-2460	(EP/CH)	61"W x 25"D x 4"H	24"D x 60"W	60"	42 lbs
WS-2472	(EP/CH)	73"W x 25"D x 4"H	24"D x 72"W	72"	50 lbs

#### Chrome & Epoxy Wire Posts

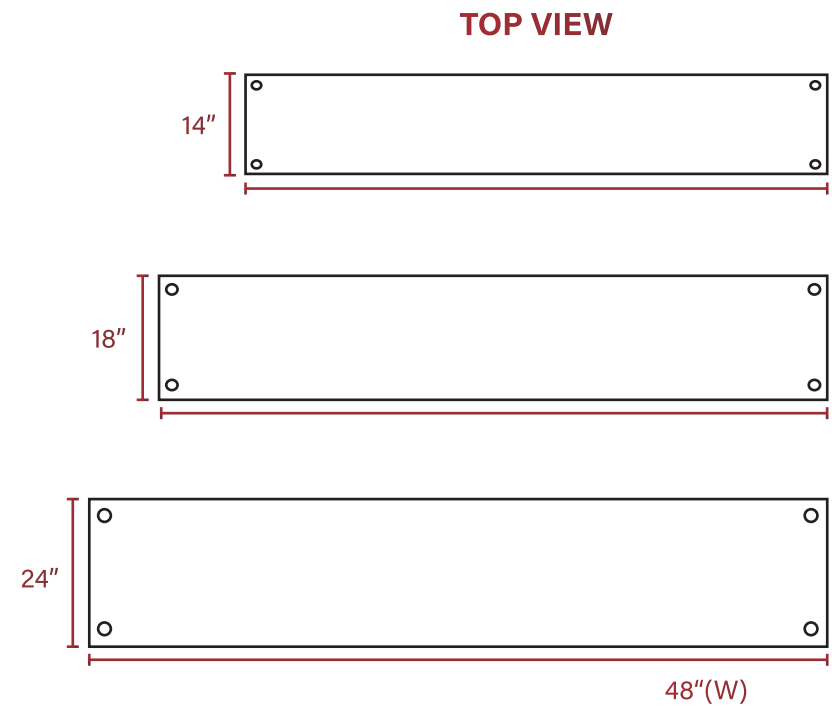
Model	EP = Epoxy CH = Chrome	Shipping Size	Product Size	Height	Weight
WP-64	(EP/CH)	25"W x 15"D x 7"H	14"D x 24"W	64"	15 lbs
WP-74	(EP/CH)	37"W x 15"D x 7"H	14"D x 36"W	74"	17 lbs
WP-86	(EP/CH)	49"W x 15"D x 7"H	14"D x 48"W	86"	20 lbs



# 18" Chrome Wire Shelving & Posts

WS-1848CH

Size:	18"D x 48"W
Weight:	48 lbs
Width:	48 inches
Shipping Size:	49"W x 19"D x 7"H



## 18" Chrome Wire Shelving & Posts

### Features



- ✓ Provides long-lasting protection and extends shelf life.
- ✓ Ideal for showcasing and non-wet environments
- ✓ Suitable for various environments including coolers, freezers, and dry storage.
- ✓ Shelves up to 48" support 600 lbs; shelves 54" and longer support 400 lbs.
- ✓ Coverage against rust and corrosion for added peace of mind.
- ✓ Designed for quick and straightforward assembly without the need for tools.
- ✓ Shelves can be positioned at different heights to accommodate varying storage needs.
- ✓ All units are shipped unassembled to minimize shipping costs and packaging waste.
- ✓ Available in various sizes and configurations to fit specific storage requirements.

Height

### Chrome & Epoxy Wire Shelves

Model	Shipping Size	Product Size	Width	Weight
WS-1424(EP/CH)	25"W x 15"D x 7"H	14"D x 24"W	24"	24 lbs
WS-1436(EP/CH)	37"W x 15"D x 7"H	14"D x 36"W	36"	34 lbs
WS-1448(EP/CH)	49"W x 15"D x 7"H	14"D x 48"W	48"	43 lbs
WS-1460(EP/CH)	61"W x 15"D x 4"H	14"D x 60"W	60"	30 lbs
WS-1836(EP/CH)	37"W x 19"D x 7"H	18"D x 36"W	36"	34 lbs
WS-1848(EP/CH)	49"W x 19"D x 7"H	18"D x 48"W	48"	48 lbs
WS-1854(EP/CH)	55"W x 19"D x 4"H	18"D x 54"W	54"	29 lbs
WS-1860(EP/CH)	61"W x 19"D x 4"H	18"D x 60"W	60"	31 lbs
WS-1872(EP/CH)	73"W x 19"D x 4"H	18"D x 72"W	72"	38 lbs
WS-2424(EP/CH)	25"W x 25"D x 7"H	24"D x 24"W	24"	34 lbs
WS-2436(EP/CH)	37"W x 25"D x 7"H	24"D x 36"W	36"	48 lbs
WS-2448(EP/CH)	49"W x 25"D x 7"H	24"D x 48"W	48"	62 lbs
WS-2460(EP/CH)	61"W x 25"D x 4"H	24"D x 60"W	60"	42 lbs
WS-2472(EP/CH)	73"W x 25"D x 4"H	24"D x 72"W	72"	50 lbs

### Chrome & Epoxy Wire Posts

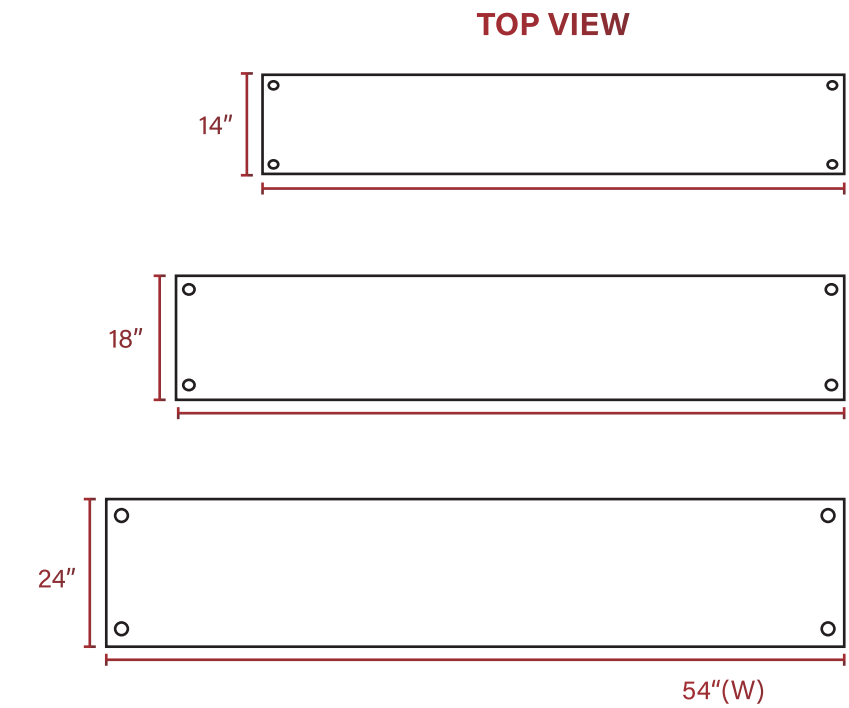
Model	Shipping Size	Product Size	Height	Weight
WP-64(EP/CH)	25"W x 15"D x 7"H	14"D x 24"W	64"	15 lbs
WP-74(EP/CH)	37"W x 15"D x 7"H	14"D x 36"W	74"	17 lbs
WP-86(EP/CH)	49"W x 15"D x 7"H	14"D x 48"W	86"	20 lbs



## 18" Chrome Wire Shelving & Posts

WS-1854CH

Size:	18"D x 54"W
Weight:	29 lbs
Width:	54 inches
Shipping Size:	55"W x 19"D x 4"H



### 18" Chrome Wire Shelving & Posts

#### Features



- ✓ Provides long-lasting protection and extends shelf life.
- ✓ Ideal for showcasing and non-wet environments
- ✓ Suitable for various environments including coolers, freezers, and dry storage.
- ✓ Shelves up to 48" support 600 lbs; shelves 54" and longer support 400 lbs.
- ✓ Coverage against rust and corrosion for added peace of mind.
- ✓ Designed for quick and straightforward assembly without the need for tools.
- ✓ Shelves can be positioned at different heights to accommodate varying storage needs.
- ✓ All units are shipped unassembled to minimize shipping costs and packaging waste.
- ✓ Available in various sizes and configurations to fit specific storage requirements.

Height

#### Chrome & Epoxy Wire Shelves

Model	EP = Epoxy CH = Chrome	Shipping Size	Product Size	Width	Weight
WS-1424	(EP/CH)	25"W x 15"D x 7"H	14"D x 24"W	24"	24 lbs
WS-1436	(EP/CH)	37"W x 15"D x 7"H	14"D x 36"W	36"	34 lbs
WS-1448	(EP/CH)	49"W x 15"D x 7"H	14"D x 48"W	48"	43 lbs
WS-1460	(EP/CH)	61"W x 15"D x 4"H	14"D x 60"W	60"	30 lbs
WS-1836	(EP/CH)	37"W x 19"D x 7"H	18"D x 36"W	36"	34 lbs
WS-1848	(EP/CH)	49"W x 19"D x 7"H	18"D x 48"W	48"	48 lbs
WS-1854	(EP/CH)	55"W x 19"D x 4"H	18"D x 54"W	54"	29 lbs
WS-1860	(EP/CH)	61"W x 19"D x 4"H	18"D x 60"W	60"	31 lbs
WS-1872	(EP/CH)	73"W x 19"D x 4"H	18"D x 72"W	72"	38 lbs
WS-2424	(EP/CH)	25"W x 25"D x 7"H	24"D x 24"W	24"	34 lbs
WS-2436	(EP/CH)	37"W x 25"D x 7"H	24"D x 36"W	36"	48 lbs
WS-2448	(EP/CH)	49"W x 25"D x 7"H	24"D x 48"W	48"	62 lbs
WS-2460	(EP/CH)	61"W x 25"D x 4"H	24"D x 60"W	60"	42 lbs
WS-2472	(EP/CH)	73"W x 25"D x 4"H	24"D x 72"W	72"	50 lbs

#### Chrome & Epoxy Wire Posts

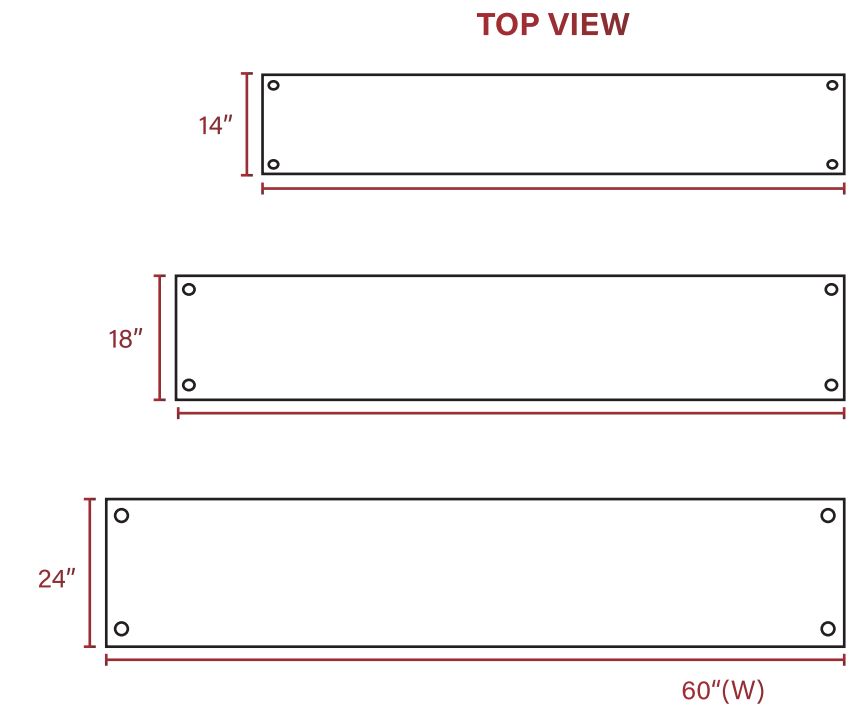
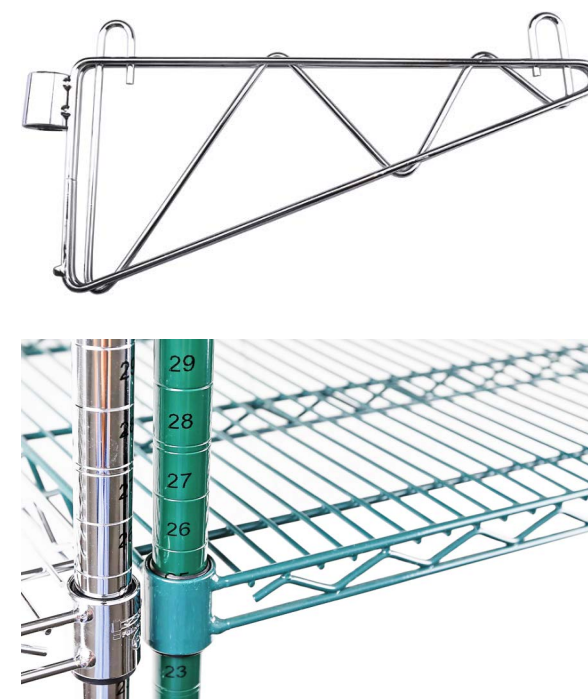
Model	EP = Epoxy CH = Chrome	Shipping Size	Product Size	Height	Weight
WP-64	(EP/CH)	25"W x 15"D x 7"H	14"D x 24"W	64"	15 lbs
WP-74	(EP/CH)	37"W x 15"D x 7"H	14"D x 36"W	74"	17 lbs
WP-86	(EP/CH)	49"W x 15"D x 7"H	14"D x 48"W	86"	20 lbs



## 18" Chrome Wire Shelving & Posts

WS-1860CH

Size:	18"D x 60"W
Weight:	31 lbs
Width:	60 inches
Shipping Size:	61"W x 19"D x 4"H

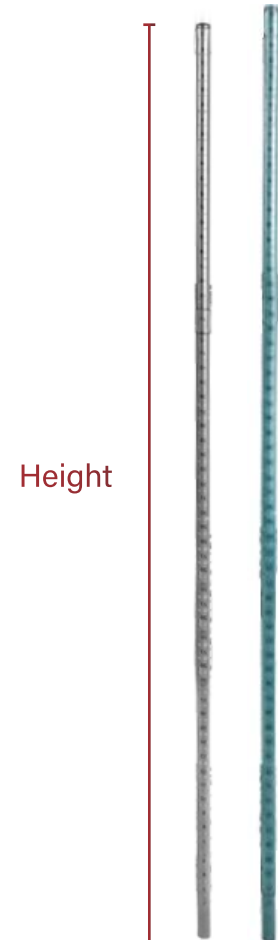


### 18" Chrome Wire Shelving & Posts

#### Features



- ✓ Provides long-lasting protection and extends shelf life.
- ✓ Ideal for showcasing and non-wet environments
- ✓ Suitable for various environments including coolers, freezers, and dry storage.
- ✓ Shelves up to 48" support 600 lbs; shelves 54" and longer support 400 lbs.
- ✓ Coverage against rust and corrosion for added peace of mind.
- ✓ Designed for quick and straightforward assembly without the need for tools.
- ✓ Shelves can be positioned at different heights to accommodate varying storage needs.
- ✓ All units are shipped unassembled to minimize shipping costs and packaging waste.
- ✓ Available in various sizes and configurations to fit specific storage requirements.



#### Chrome & Epoxy Wire Shelves

Model	EP = Epoxy CH = Chrome	Shipping Size	Product Size	Width	Weight
WS-1424	(EP/CH)	25"W x 15"D x 7"H	14"D x 24"W	24"	24 lbs
WS-1436	(EP/CH)	37"W x 15"D x 7"H	14"D x 36"W	36"	34 lbs
WS-1448	(EP/CH)	49"W x 15"D x 7"H	14"D x 48"W	48"	43 lbs
WS-1460	(EP/CH)	61"W x 15"D x 4"H	14"D x 60"W	60"	30 lbs
WS-1836	(EP/CH)	37"W x 19"D x 7"H	18"D x 36"W	36"	34 lbs
WS-1848	(EP/CH)	49"W x 19"D x 7"H	18"D x 48"W	48"	48 lbs
WS-1854	(EP/CH)	55"W x 19"D x 4"H	18"D x 54"W	54"	29 lbs
WS-1860	(EP/CH)	61"W x 19"D x 4"H	18"D x 60"W	60"	31 lbs
WS-1872	(EP/CH)	73"W x 19"D x 4"H	18"D x 72"W	72"	38 lbs
WS-2424	(EP/CH)	25"W x 25"D x 7"H	24"D x 24"W	24"	34 lbs
WS-2436	(EP/CH)	37"W x 25"D x 7"H	24"D x 36"W	36"	48 lbs
WS-2448	(EP/CH)	49"W x 25"D x 7"H	24"D x 48"W	48"	62 lbs
WS-2460	(EP/CH)	61"W x 25"D x 4"H	24"D x 60"W	60"	42 lbs
WS-2472	(EP/CH)	73"W x 25"D x 4"H	24"D x 72"W	72"	50 lbs

#### Chrome & Epoxy Wire Posts

Model	EP = Epoxy CH = Chrome	Shipping Size	Product Size	Height	Weight
WP-64	(EP/CH)	25"W x 15"D x 7"H	14"D x 24"W	64"	15 lbs
WP-74	(EP/CH)	37"W x 15"D x 7"H	14"D x 36"W	74"	17 lbs
WP-86	(EP/CH)	49"W x 15"D x 7"H	14"D x 48"W	86"	20 lbs





## 18" Chrome Wire Shelving & Posts

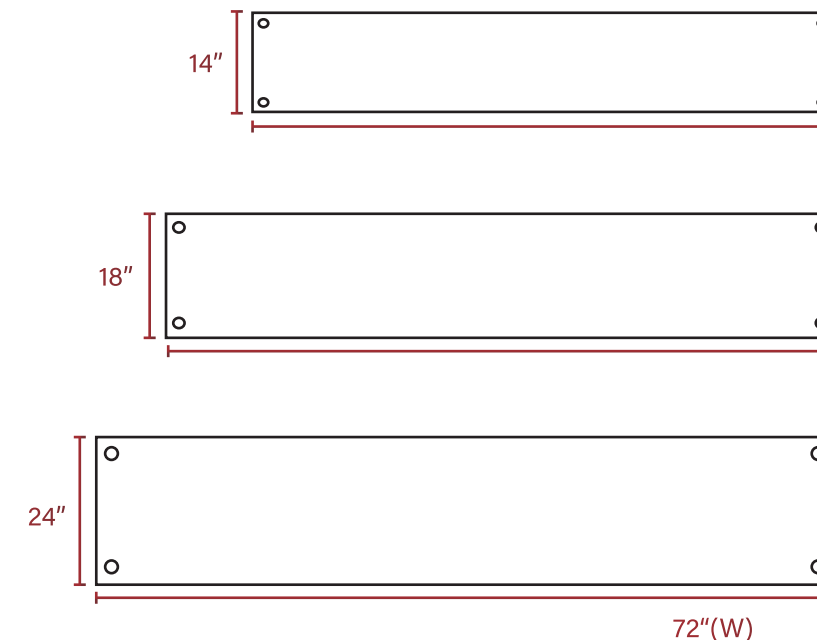
WS-1872CH

Size:	18"D x 72"W
Weight:	38 lbs
Width:	72 inches
Shipping Size:	73"W x 19"D x 4"H



### Wire Shelving

TOP VIEW



## 18" Chrome Wire Shelving & Posts

### Features



- ✓ Provides long-lasting protection and extends shelf life.
- ✓ Ideal for showcasing and non-wet environments
- ✓ Suitable for various environments including coolers, freezers, and dry storage.
- ✓ Shelves up to 48" support 600 lbs; shelves 54" and longer support 400 lbs.
- ✓ Coverage against rust and corrosion for added peace of mind.
- ✓ Designed for quick and straightforward assembly without the need for tools.
- ✓ Shelves can be positioned at different heights to accommodate varying storage needs.
- ✓ All units are shipped unassembled to minimize shipping costs and packaging waste.
- ✓ Available in various sizes and configurations to fit specific storage requirements.

Height

### Chrome & Epoxy Wire Shelves

Model	EP = Epoxy CH = Chrome	Shipping Size	Product Size	Width	Weight
WS-1424	(EP/CH)	25"W x 15"D x 7"H	14"D x 24"W	24"	24 lbs
WS-1436	(EP/CH)	37"W x 15"D x 7"H	14"D x 36"W	36"	34 lbs
WS-1448	(EP/CH)	49"W x 15"D x 7"H	14"D x 48"W	48"	43 lbs
WS-1460	(EP/CH)	61"W x 15"D x 4"H	14"D x 60"W	60"	30 lbs
WS-1836	(EP/CH)	37"W x 19"D x 7"H	18"D x 36"W	36"	34 lbs
WS-1848	(EP/CH)	49"W x 19"D x 7"H	18"D x 48"W	48"	48 lbs
WS-1854	(EP/CH)	55"W x 19"D x 4"H	18"D x 54"W	54"	29 lbs
WS-1860	(EP/CH)	61"W x 19"D x 4"H	18"D x 60"W	60"	31 lbs
WS-1872	(EP/CH)	73"W x 19"D x 4"H	18"D x 72"W	72"	38 lbs
WS-2424	(EP/CH)	25"W x 25"D x 7"H	24"D x 24"W	24"	34 lbs
WS-2436	(EP/CH)	37"W x 25"D x 7"H	24"D x 36"W	36"	48 lbs
WS-2448	(EP/CH)	49"W x 25"D x 7"H	24"D x 48"W	48"	62 lbs
WS-2460	(EP/CH)	61"W x 25"D x 4"H	24"D x 60"W	60"	42 lbs
WS-2472	(EP/CH)	73"W x 25"D x 4"H	24"D x 72"W	72"	50 lbs

### Chrome & Epoxy Wire Posts

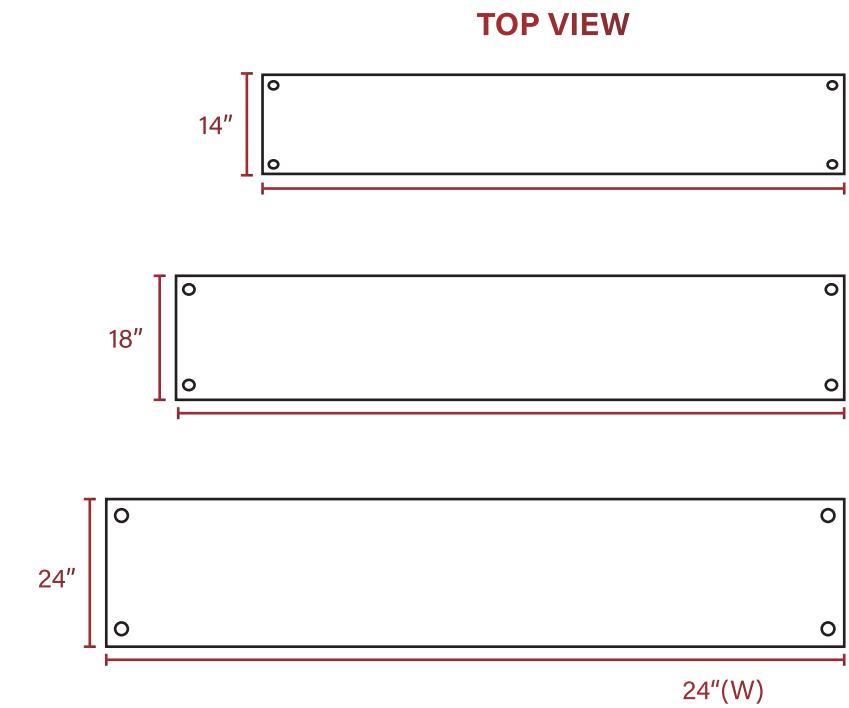
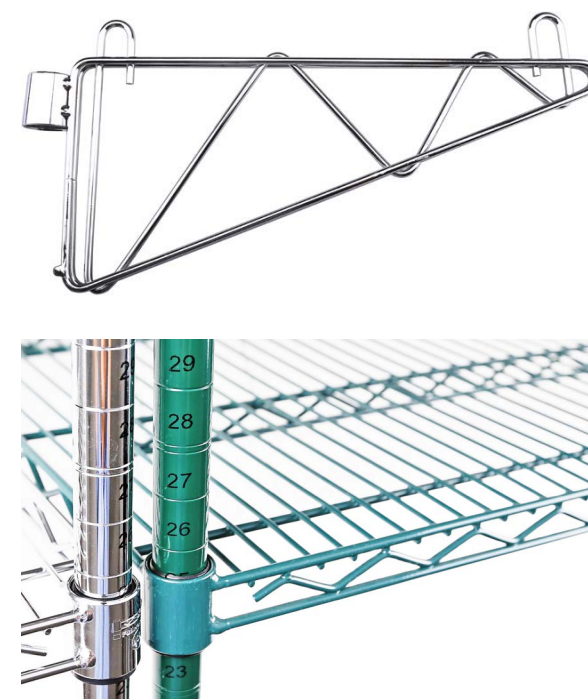
Model	EP = Epoxy CH = Chrome	Shipping Size	Product Size	Height	Weight
WP-64	(EP/CH)	25"W x 15"D x 7"H	14"D x 24"W	64"	15 lbs
WP-74	(EP/CH)	37"W x 15"D x 7"H	14"D x 36"W	74"	17 lbs
WP-86	(EP/CH)	49"W x 15"D x 7"H	14"D x 48"W	86"	20 lbs



## 24" Chrome Wire Shelving & Posts

WS-2424CH

Size:	24"D x 24"W
Weight:	34 lbs
Width:	24 inches
Shipping Size:	25"W x 25"D x 7"H

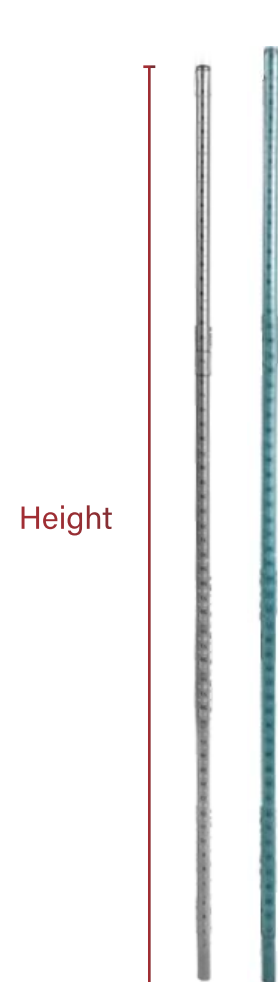


### 24" Chrome Wire Shelving & Posts

#### Features



- ✓ Provides long-lasting protection and extends shelf life.
- ✓ Ideal for showcasing and non-wet environments
- ✓ Suitable for various environments including coolers, freezers, and dry storage.
- ✓ Shelves up to 48" support 600 lbs; shelves 54" and longer support 400 lbs.
- ✓ Coverage against rust and corrosion for added peace of mind.
- ✓ Designed for quick and straightforward assembly without the need for tools.
- ✓ Shelves can be positioned at different heights to accommodate varying storage needs.
- ✓ All units are shipped unassembled to minimize shipping costs and packaging waste.
- ✓ Available in various sizes and configurations to fit specific storage requirements.



#### Chrome & Epoxy Wire Shelves

Model	EP = Epoxy CH = Chrome	Shipping Size	Product Size	Width	Weight
WS-1424	(EP/CH)	25"W x 15"D x 7"H	14"D x 24"W	24"	24 lbs
WS-1436	(EP/CH)	37"W x 15"D x 7"H	14"D x 36"W	36"	34 lbs
WS-1448	(EP/CH)	49"W x 15"D x 7"H	14"D x 48"W	48"	43 lbs
WS-1460	(EP/CH)	61"W x 15"D x 4"H	14"D x 60"W	60"	30 lbs
WS-1836	(EP/CH)	37"W x 19"D x 7"H	18"D x 36"W	36"	34 lbs
WS-1848	(EP/CH)	49"W x 19"D x 7"H	18"D x 48"W	48"	48 lbs
WS-1854	(EP/CH)	55"W x 19"D x 4"H	18"D x 54"W	54"	29 lbs
WS-1860	(EP/CH)	61"W x 19"D x 4"H	18"D x 60"W	60"	31 lbs
WS-1872	(EP/CH)	73"W x 19"D x 4"H	18"D x 72"W	72"	38 lbs
WS-2424	(EP/CH)	25"W x 25"D x 7"H	24"D x 24"W	24"	34 lbs
WS-2436	(EP/CH)	37"W x 25"D x 7"H	24"D x 36"W	36"	48 lbs
WS-2448	(EP/CH)	49"W x 25"D x 7"H	24"D x 48"W	48"	62 lbs
WS-2460	(EP/CH)	61"W x 25"D x 4"H	24"D x 60"W	60"	42 lbs
WS-2472	(EP/CH)	73"W x 25"D x 4"H	24"D x 72"W	72"	50 lbs

#### Chrome & Epoxy Wire Posts

Model	EP = Epoxy CH = Chrome	Shipping Size	Product Size	Height	Weight
WP-64	(EP/CH)	25"W x 15"D x 7"H	14"D x 24"W	64"	15 lbs
WP-74	(EP/CH)	37"W x 15"D x 7"H	14"D x 36"W	74"	17 lbs
WP-86	(EP/CH)	49"W x 15"D x 7"H	14"D x 48"W	86"	20 lbs



## 24" Chrome Wire Shelving & Posts

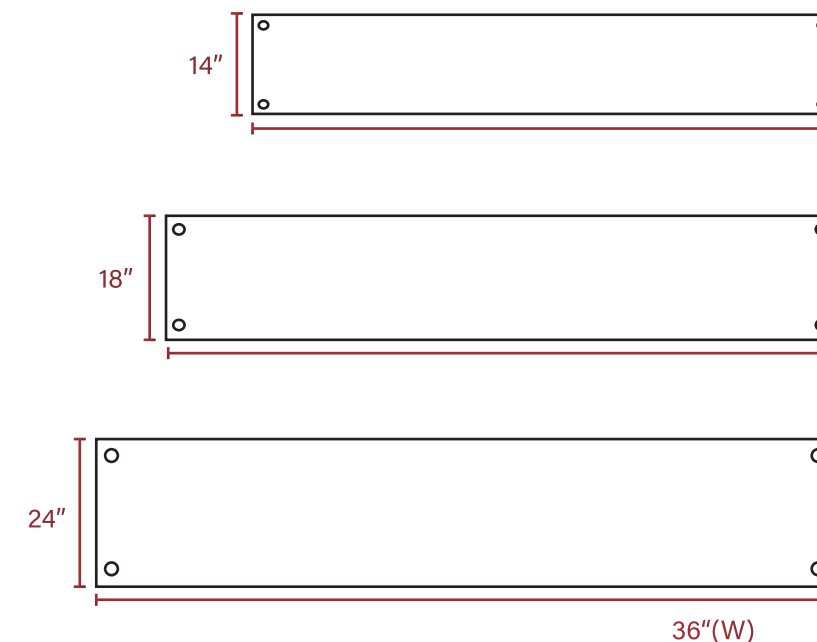
WS-2436CH

Size:	24"D x 36"W
Weight:	48 lbs
Width:	36 inches
Shipping Size:	37"W x 25"D x 7"H



### Wire Shelving

TOP VIEW



## 24" Chrome Wire Shelving & Posts

### Features



- ✓ Provides long-lasting protection and extends shelf life.
- ✓ Ideal for showcasing and non-wet environments
- ✓ Suitable for various environments including coolers, freezers, and dry storage.
- ✓ Shelves up to 48" support 600 lbs; shelves 54" and longer support 400 lbs.
- ✓ Coverage against rust and corrosion for added peace of mind.
- ✓ Designed for quick and straightforward assembly without the need for tools.
- ✓ Shelves can be positioned at different heights to accommodate varying storage needs.
- ✓ All units are shipped unassembled to minimize shipping costs and packaging waste.
- ✓ Available in various sizes and configurations to fit specific storage requirements.

Height

### Chrome & Epoxy Wire Shelves

Model	EP = Epoxy CH = Chrome	Shipping Size	Product Size	Width	Weight
WS-1424	(EP/CH)	25"W x 15"D x 7"H	14"D x 24"W	24"	24 lbs
WS-1436	(EP/CH)	37"W x 15"D x 7"H	14"D x 36"W	36"	34 lbs
WS-1448	(EP/CH)	49"W x 15"D x 7"H	14"D x 48"W	48"	43 lbs
WS-1460	(EP/CH)	61"W x 15"D x 4"H	14"D x 60"W	60"	30 lbs
WS-1836	(EP/CH)	37"W x 19"D x 7"H	18"D x 36"W	36"	34 lbs
WS-1848	(EP/CH)	49"W x 19"D x 7"H	18"D x 48"W	48"	48 lbs
WS-1854	(EP/CH)	55"W x 19"D x 4"H	18"D x 54"W	54"	29 lbs
WS-1860	(EP/CH)	61"W x 19"D x 4"H	18"D x 60"W	60"	31 lbs
WS-1872	(EP/CH)	73"W x 19"D x 4"H	18"D x 72"W	72"	38 lbs
WS-2424	(EP/CH)	25"W x 25"D x 7"H	24"D x 24"W	24"	34 lbs
WS-2436	(EP/CH)	37"W x 25"D x 7"H	24"D x 36"W	36"	48 lbs
WS-2448	(EP/CH)	49"W x 25"D x 7"H	24"D x 48"W	48"	62 lbs
WS-2460	(EP/CH)	61"W x 25"D x 4"H	24"D x 60"W	60"	42 lbs
WS-2472	(EP/CH)	73"W x 25"D x 4"H	24"D x 72"W	72"	50 lbs

### Chrome & Epoxy Wire Posts

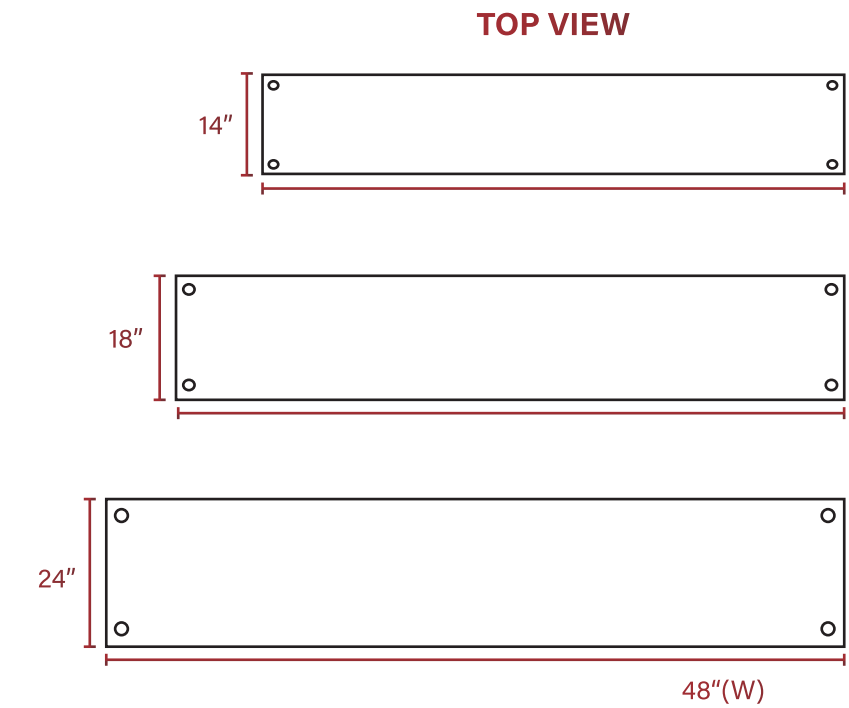
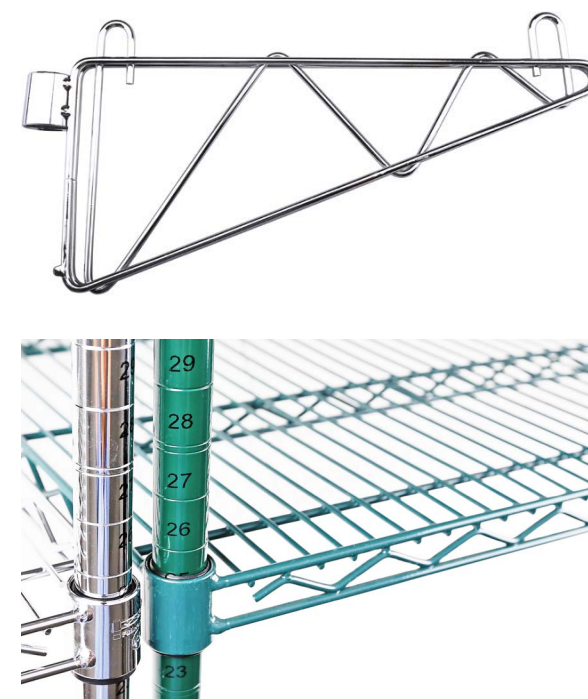
Model	EP = Epoxy CH = Chrome	Shipping Size	Product Size	Height	Weight
WP-64	(EP/CH)	25"W x 15"D x 7"H	14"D x 24"W	64"	15 lbs
WP-74	(EP/CH)	37"W x 15"D x 7"H	14"D x 36"W	74"	17 lbs
WP-86	(EP/CH)	49"W x 15"D x 7"H	14"D x 48"W	86"	20 lbs



## 24" Chrome Wire Shelving & Posts

WS2448CH

Size:	24"D x 48"W
Weight:	62 lbs
Width:	48 inches
Shipping Size:	49"W x 25"D x 7"H

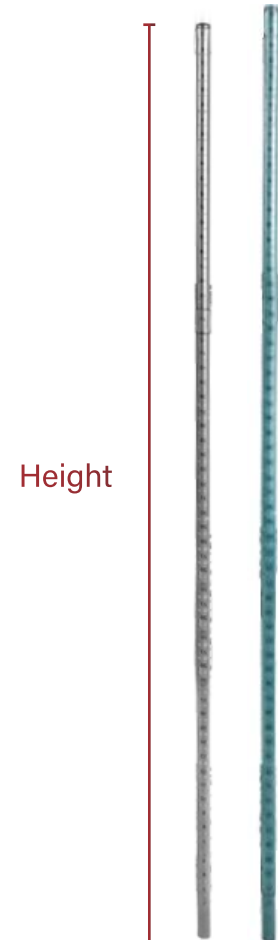


### 24" Chrome Wire Shelving & Posts

#### Features



- ✓ Provides long-lasting protection and extends shelf life.
- ✓ Ideal for showcasing and non-wet environments
- ✓ Suitable for various environments including coolers, freezers, and dry storage.
- ✓ Shelves up to 48" support 600 lbs; shelves 54" and longer support 400 lbs.
- ✓ Coverage against rust and corrosion for added peace of mind.
- ✓ Designed for quick and straightforward assembly without the need for tools.
- ✓ Shelves can be positioned at different heights to accommodate varying storage needs.
- ✓ All units are shipped unassembled to minimize shipping costs and packaging waste.
- ✓ Available in various sizes and configurations to fit specific storage requirements.



#### Chrome & Epoxy Wire Shelves

Model	Shipping Size	Product Size	Width	Weight
WS-1424(EP/CH)	25"W x 15"D x 7"H	14"D x 24"W	24"	24 lbs
WS-1436(EP/CH)	37"W x 15"D x 7"H	14"D x 36"W	36"	34 lbs
WS-1448(EP/CH)	49"W x 15"D x 7"H	14"D x 48"W	48"	43 lbs
WS-1460(EP/CH)	61"W x 15"D x 4"H	14"D x 60"W	60"	30 lbs
WS-1836(EP/CH)	37"W x 19"D x 7"H	18"D x 36"W	36"	34 lbs
WS-1848(EP/CH)	49"W x 19"D x 7"H	18"D x 48"W	48"	48 lbs
WS-1854(EP/CH)	55"W x 19"D x 4"H	18"D x 54"W	54"	29 lbs
WS-1860(EP/CH)	61"W x 19"D x 4"H	18"D x 60"W	60"	31 lbs
WS-1872(EP/CH)	73"W x 19"D x 4"H	18"D x 72"W	72"	38 lbs
WS-2424(EP/CH)	25"W x 25"D x 7"H	24"D x 24"W	24"	34 lbs
WS-2436(EP/CH)	37"W x 25"D x 7"H	24"D x 36"W	36"	48 lbs
WS-2448(EP/CH)	49"W x 25"D x 7"H	24"D x 48"W	48"	62 lbs
WS-2460(EP/CH)	61"W x 25"D x 4"H	24"D x 60"W	60"	42 lbs
WS-2472(EP/CH)	73"W x 25"D x 4"H	24"D x 72"W	72"	50 lbs

#### Chrome & Epoxy Wire Posts

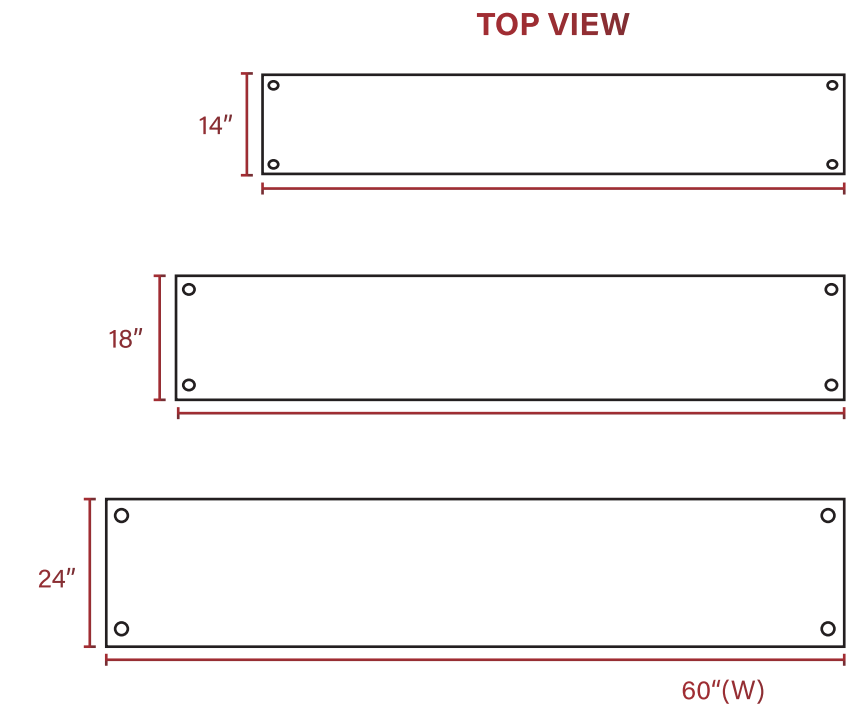
Model	Shipping Size	Product Size	Height	Weight
WP-64(EP/CH)	25"W x 15"D x 7"H	14"D x 24"W	64"	15 lbs
WP-74(EP/CH)	37"W x 15"D x 7"H	14"D x 36"W	74"	17 lbs
WP-86(EP/CH)	49"W x 15"D x 7"H	14"D x 48"W	86"	20 lbs



## 24" Chrome Wire Shelving & Posts

WS-2460CH

Size:	24"D x 60"W
Weight:	42 lbs
Width:	60 inches
Shipping Size:	61"W x 25"D x 4"H



## 24" Chrome Wire Shelving & Posts

### Features



- ✓ Provides long-lasting protection and extends shelf life.
- ✓ Ideal for showcasing and non-wet environments
- ✓ Suitable for various environments including coolers, freezers, and dry storage.
- ✓ Shelves up to 48" support 600 lbs; shelves 54" and longer support 400 lbs.
- ✓ Coverage against rust and corrosion for added peace of mind.
- ✓ Designed for quick and straightforward assembly without the need for tools.
- ✓ Shelves can be positioned at different heights to accommodate varying storage needs.
- ✓ All units are shipped unassembled to minimize shipping costs and packaging waste.
- ✓ Available in various sizes and configurations to fit specific storage requirements.

Height

### Chrome & Epoxy Wire Shelves

Model	Shipping Size	Product Size	Width	Weight
WS-1424(EP/CH)	25"W x 15"D x 7"H	14"D x 24"W	24"	24 lbs
WS-1436(EP/CH)	37"W x 15"D x 7"H	14"D x 36"W	36"	34 lbs
WS-1448(EP/CH)	49"W x 15"D x 7"H	14"D x 48"W	48"	43 lbs
WS-1460(EP/CH)	61"W x 15"D x 4"H	14"D x 60"W	60"	30 lbs
WS-1836(EP/CH)	37"W x 19"D x 7"H	18"D x 36"W	36"	34 lbs
WS-1848(EP/CH)	49"W x 19"D x 7"H	18"D x 48"W	48"	48 lbs
WS-1854(EP/CH)	55"W x 19"D x 4"H	18"D x 54"W	54"	29 lbs
WS-1860(EP/CH)	61"W x 19"D x 4"H	18"D x 60"W	60"	31 lbs
WS-1872(EP/CH)	73"W x 19"D x 4"H	18"D x 72"W	72"	38 lbs
WS-2424(EP/CH)	25"W x 25"D x 7"H	24"D x 24"W	24"	34 lbs
WS-2436(EP/CH)	37"W x 25"D x 7"H	24"D x 36"W	36"	48 lbs
WS-2448(EP/CH)	49"W x 25"D x 7"H	24"D x 48"W	48"	62 lbs
WS-2460(EP/CH)	61"W x 25"D x 4"H	24"D x 60"W	60"	42 lbs
WS-2472(EP/CH)	73"W x 25"D x 4"H	24"D x 72"W	72"	50 lbs

### Chrome & Epoxy Wire Posts

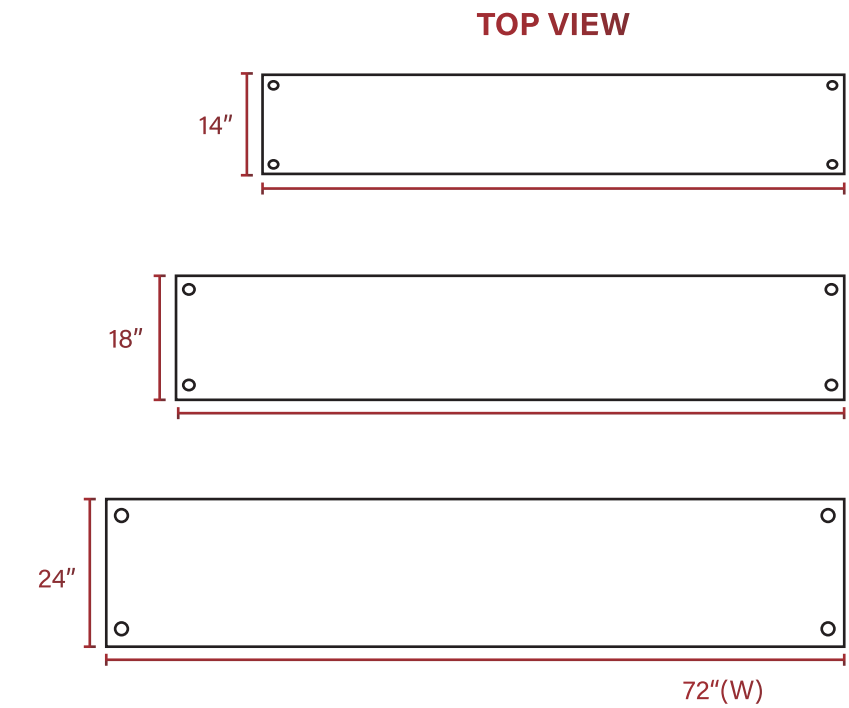
Model	Shipping Size	Product Size	Height	Weight
WP-64(EP/CH)	25"W x 15"D x 7"H	14"D x 24"W	64"	15 lbs
WP-74(EP/CH)	37"W x 15"D x 7"H	14"D x 36"W	74"	17 lbs
WP-86(EP/CH)	49"W x 15"D x 7"H	14"D x 48"W	86"	20 lbs



## 24" Chrome Wire Shelving & Posts

WS-2472CH

Size:	24"D x 72"W
Weight:	50 lbs
Width:	72 inches
Shipping Size:	73"W x 25"D x 4"H

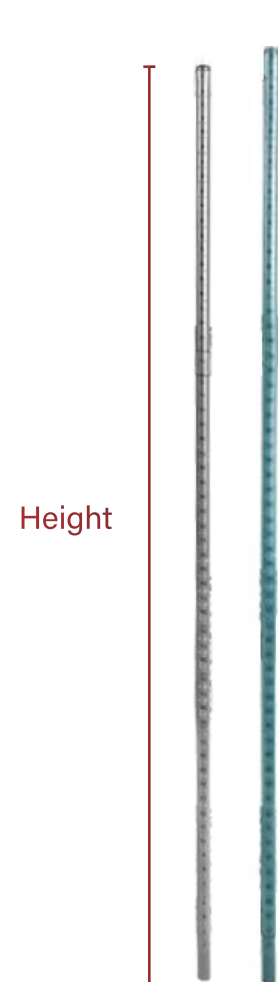


## 24" Chrome Wire Shelving & Posts

### Features



- ✓ Provides long-lasting protection and extends shelf life.
- ✓ Ideal for showcasing and non-wet environments
- ✓ Suitable for various environments including coolers, freezers, and dry storage.
- ✓ Shelves up to 48" support 600 lbs; shelves 54" and longer support 400 lbs.
- ✓ Coverage against rust and corrosion for added peace of mind.
- ✓ Designed for quick and straightforward assembly without the need for tools.
- ✓ Shelves can be positioned at different heights to accommodate varying storage needs.
- ✓ All units are shipped unassembled to minimize shipping costs and packaging waste.
- ✓ Available in various sizes and configurations to fit specific storage requirements.



### Chrome & Epoxy Wire Shelves

Model	Shipping Size	Product Size	Width	Weight
WS-1424(EP/CH)	25"W x 15"D x 7"H	14"D x 24"W	24"	24 lbs
WS-1436(EP/CH)	37"W x 15"D x 7"H	14"D x 36"W	36"	34 lbs
WS-1448(EP/CH)	49"W x 15"D x 7"H	14"D x 48"W	48"	43 lbs
WS-1460(EP/CH)	61"W x 15"D x 4"H	14"D x 60"W	60"	30 lbs
WS-1836(EP/CH)	37"W x 19"D x 7"H	18"D x 36"W	36"	34 lbs
WS-1848(EP/CH)	49"W x 19"D x 7"H	18"D x 48"W	48"	48 lbs
WS-1854(EP/CH)	55"W x 19"D x 4"H	18"D x 54"W	54"	29 lbs
WS-1860(EP/CH)	61"W x 19"D x 4"H	18"D x 60"W	60"	31 lbs
WS-1872(EP/CH)	73"W x 19"D x 4"H	18"D x 72"W	72"	38 lbs
WS-2424(EP/CH)	25"W x 25"D x 7"H	24"D x 24"W	24"	34 lbs
WS-2436(EP/CH)	37"W x 25"D x 7"H	24"D x 36"W	36"	48 lbs
WS-2448(EP/CH)	49"W x 25"D x 7"H	24"D x 48"W	48"	62 lbs
WS-2460(EP/CH)	61"W x 25"D x 4"H	24"D x 60"W	60"	42 lbs
WS-2472(EP/CH)	73"W x 25"D x 4"H	24"D x 72"W	72"	50 lbs

### Chrome & Epoxy Wire Posts

Model	Shipping Size	Product Size	Height	Weight
WP-64(EP/CH)	25"W x 15"D x 7"H	14"D x 24"W	64"	15 lbs
WP-74(EP/CH)	37"W x 15"D x 7"H	14"D x 36"W	74"	17 lbs
WP-86(EP/CH)	49"W x 15"D x 7"H	14"D x 48"W	86"	20 lbs