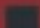




# STAINLESS STEEL COMPARTMENT SINKS

ICE AGE REFRIGERATION INC

121 McLean Drive, Vancouver BC, Canada

 If the data and structure update, without notice, subject to material object.

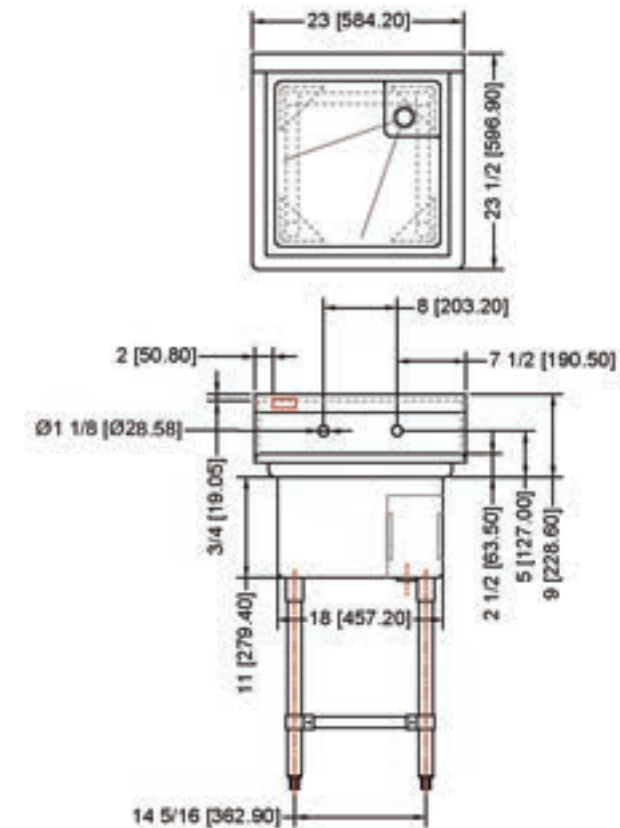
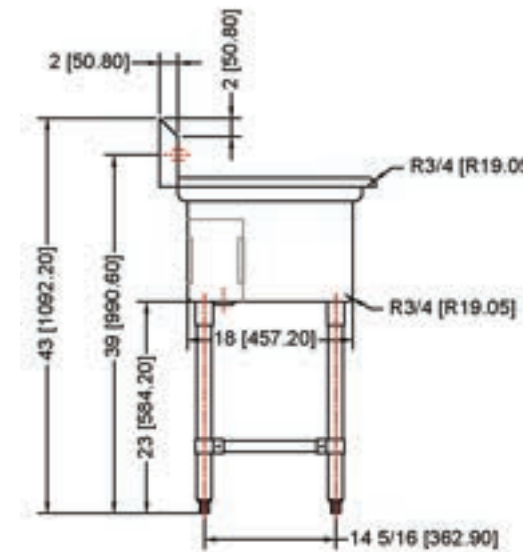
**SS1818-0**  
Technical Drawing



**Stainless Steel  
Compartment Sinks**

**SS1818-0**

Size:	23.5"D x 23"W x 43"H
Drain Location:	Corner
No. of Bowls:	One
Drainboards:	None
Bowl Size:	18"
Weight:	58 lbs
Shipping Size:	24" W x 27" D x 27" H



18" One Compartment Sink No Drainboard

**Features**



- ✓ Premium 18 Gauge Type 304 stainless steel for durability.
- ✓ Stamped drain boards and bottoms for optimal water flow.
- ✓ 11" deep bowls with center or corner drain options.
- ✓ Pre-cut 8" center holes for wall mount faucets.
- ✓ Corner drains with 1 7/8" holes and a 10" overflow pipe, including a drain basket.
- ✓ 36" tall from floor to rim, 43" to top of backsplash.
- ✓ Single piece with 5/8" radius corners for easy cleaning.
- ✓ Polished welded joints for a sleek appearance.
- ✓ Gussets attached to reinforced plate for strength.
- ✓ U shape leg braces included for maximum support.
- ✓ Entirely TIG welded for superior strength and finish.

Model	Shipping Size	Product Size	Sink Width	Drain Area	Sink Bowls	Boards	Weight
SS1818-0	24" W x 27" D x 27" H	23.5"D x 23"W x 43"H	18"	Corner	1	None	58 lbs
SS1818-L	45" W x 27" D x 27" H	23.5"D x 38.5"W x 43"H	18"	Corner	1	Left	68 lbs
SS1818-R	45" W x 27" D x 27" H	23.5"D x 38.5"W x 43"H	18"	Corner	1	Right	68 lbs
SS1818-RL	66" W x 27" D x 27" H	23.5"D x 54"W x 43"H	18"	Corner	1	Both	79 lbs
DS1818-0	42" W x 27" D x 27" H	23.5"D x 41"W x 43"H	18"	Corner	2	None	83 lbs
DS1818-L	63" W x 27" D x 27" H	23.5"D x 56.5"W x 43"H	18"	Corner	2	Left	94 lbs
DS1818-R	63" W x 27" D x 27" H	23.5"D x 56.5"W x 43"H	18"	Corner	2	Right	94 lbs
DS1818-RL	84" W x 27" D x 27" H	23.5"D x 72"W x 43"H	18"	Corner	2	Both	106 lbs
TS1818-0	59" W x 27" D x 27" H	23.5"D x 59"W x 43"H	18"	Corner	3	None	110 lbs
TS1818-L	81" W x 27" D x 27" H	23.5"D x 74.5"W x 43"H	18"	Corner	3	Left	121 lbs
TS1818-R	81" W x 27" D x 27" H	23.5"D x 74.5"W x 43"H	18"	Corner	3	Right	121 lbs
TS1818-RL	103" W x 27" D x 27" H	23.5"D x 90"W x 43"H	18"	Corner	3	Both	133 lbs

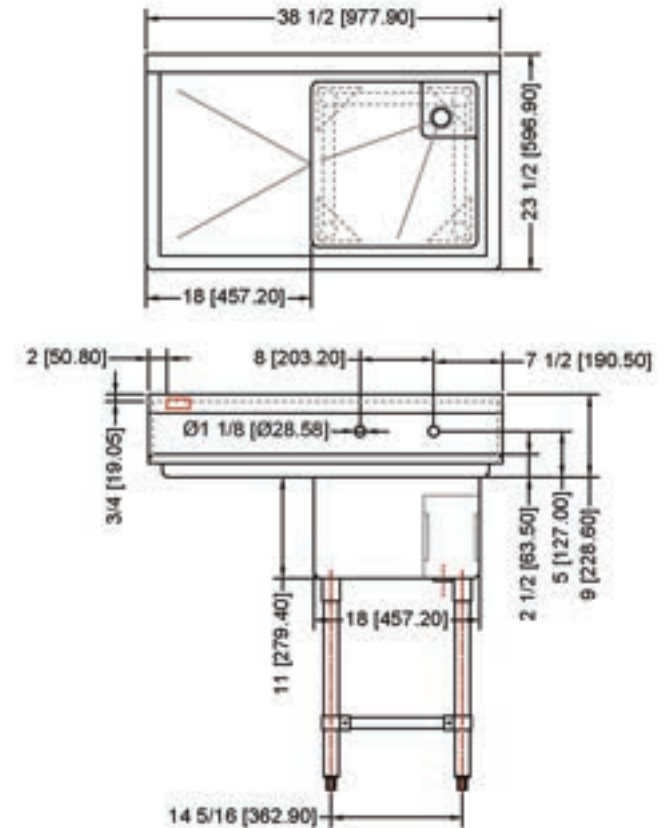
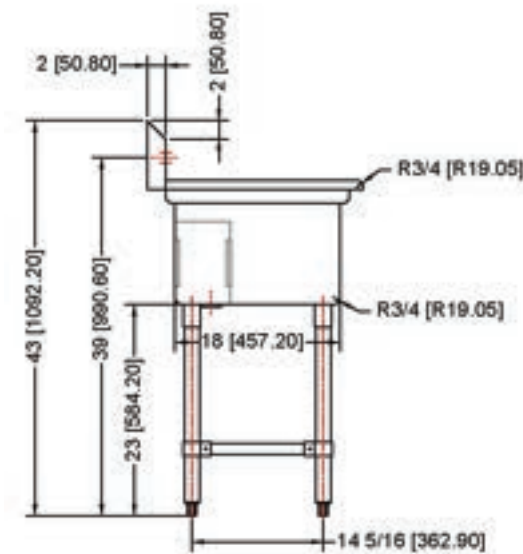
**SS1818-L**  
Technical Drawing

**Stainless Steel  
Compartment Sinks**

**SS1818-L**



Size:	23.5"D x 38.5"W x 43"H
Drain Location:	Corner
No. of Bowls:	One
Drainboards:	Left
Bowl Size:	18"
Weight:	68 lbs
Shipping Size:	45" W x 27" D x 27" H



18" One Compartment Sink Left Drainboard

**Features**



- ✓ Premium 18 Gauge Type 304 stainless steel for durability.
- ✓ Stamped drain boards and bottoms for optimal water flow.
- ✓ 11" deep bowls with center or corner drain options.
- ✓ Pre-cut 8" center holes for wall mount faucets.
- ✓ Corner drains with 1 7/8" holes and a 10" overflow pipe, including a drain basket.
- ✓ 36" tall from floor to rim, 43" to top of backsplash.
- ✓ Single piece with 5/8" radius corners for easy cleaning.
- ✓ Polished welded joints for a sleek appearance.
- ✓ Gussets attached to reinforced plate for strength.
- ✓ U shape leg braces included for maximum support.
- ✓ Entirely TIG welded for superior strength and finish.

Model	Shipping Size	Product Size	Sink Width	Drain Area	Sink Bowls	Boards	Weight
SS1818-0	24" W x 27" D x 27" H	23.5"D x 23"W x 43"H	18"	Corner	1	None	58 lbs
SS1818-L	45" W x 27" D x 27" H	23.5"D x 38.5"W x 43"H	18"	Corner	1	Left	68 lbs
SS1818-R	45" W x 27" D x 27" H	23.5"D x 38.5"W x 43"H	18"	Corner	1	Right	68 lbs
SS1818-RL	66" W x 27" D x 27" H	23.5"D x 54"W x 43"H	18"	Corner	1	Both	79 lbs
DS1818-0	42" W x 27" D x 27" H	23.5"D x 41"W x 43"H	18"	Corner	2	None	83 lbs
DS1818-L	63" W x 27" D x 27" H	23.5"D x 56.5"W x 43"H	18"	Corner	2	Left	94 lbs
DS1818-R	63" W x 27" D x 27" H	23.5"D x 56.5"W x 43"H	18"	Corner	2	Right	94 lbs
DS1818-RL	84" W x 27" D x 27" H	23.5"D x 72"W x 43"H	18"	Corner	2	Both	106 lbs
TS1818-0	59" W x 27" D x 27" H	23.5"D x 59"W x 43"H	18"	Corner	3	None	110 lbs
TS1818-L	81" W x 27" D x 27" H	23.5"D x 74.5"W x 43"H	18"	Corner	3	Left	121 lbs
TS1818-R	81" W x 27" D x 27" H	23.5"D x 74.5"W x 43"H	18"	Corner	3	Right	121 lbs
TS1818-RL	103" W x 27" D x 27" H	23.5"D x 90"W x 43"H	18"	Corner	3	Both	133 lbs



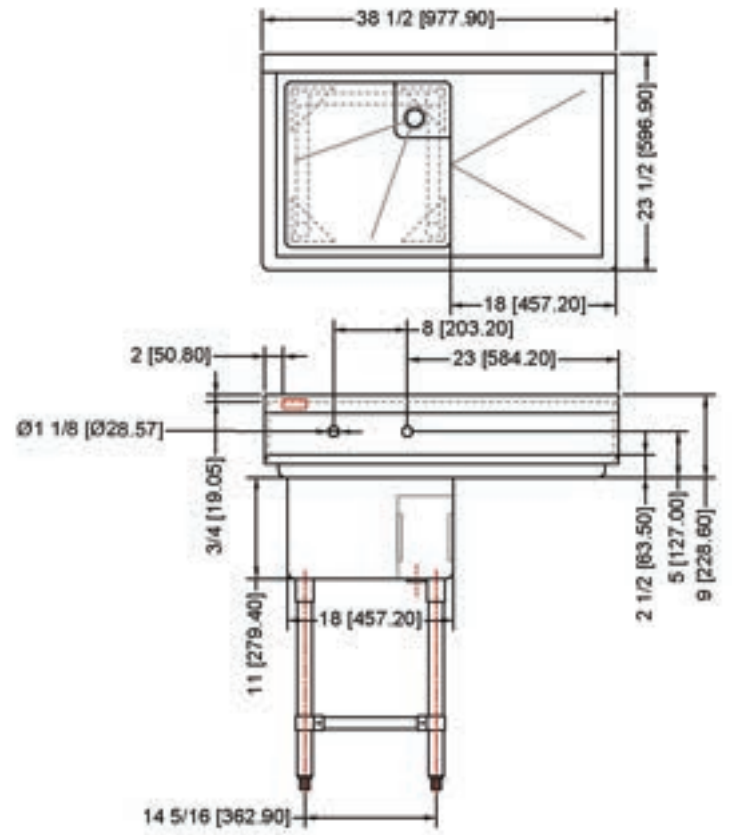
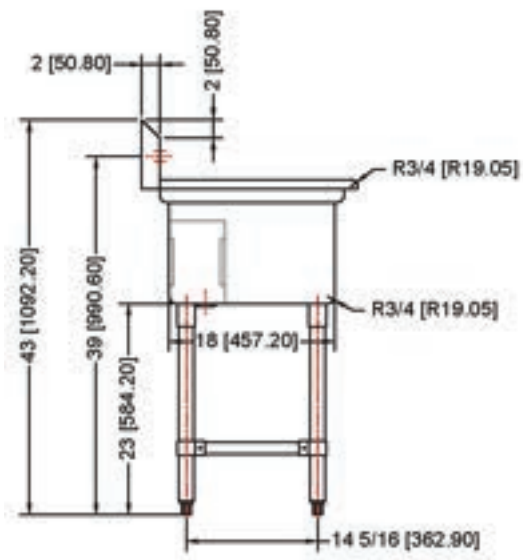
**SS1818-R**  
Technical Drawing

**Stainless Steel  
Compartment Sinks**



**SS1818-R**

Size:	23.5"D x 38.5"W x 43"H
Drain Location:	Corner
No. of Bowls:	One
Drainboards:	Right
Bowl Size:	18"
Weight:	68 lbs
Shipping Size:	45" W x 27" D x 27" H



18" One Compartment Sink Right Drainboard

**Features**



- ✓ Premium 18 Gauge Type 304 stainless steel for durability.
- ✓ Stamped drain boards and bottoms for optimal water flow.
- ✓ 11" deep bowls with center or corner drain options.
- ✓ Pre-cut 8" center holes for wall mount faucets.
- ✓ Corner drains with 1 7/8" holes and a 10" overflow pipe, including a drain basket.
- ✓ 36" tall from floor to rim, 43" to top of backsplash.
- ✓ Single piece with 5/8" radius corners for easy cleaning.
- ✓ Polished welded joints for a sleek appearance.
- ✓ Gussets attached to reinforced plate for strength.
- ✓ U shape leg braces included for maximum support.
- ✓ Entirely TIG welded for superior strength and finish.

Model	Shipping Size	Product Size	Sink Width	Drain Area	Sink Bowls	Boards	Weight
SS1818-0	24" W x 27" D x 27" H	23.5"D x 23"W x 43"H	18"	Corner	1	None	58 lbs
SS1818-L	45" W x 27" D x 27" H	23.5"D x 38.5"W x 43"H	18"	Corner	1	Left	68 lbs
SS1818-R	45" W x 27" D x 27" H	23.5"D x 38.5"W x 43"H	18"	Corner	1	Right	68 lbs
SS1818-RL	66" W x 27" D x 27" H	23.5"D x 54"W x 43"H	18"	Corner	1	Both	79 lbs
DS1818-0	42" W x 27" D x 27" H	23.5"D x 41"W x 43"H	18"	Corner	2	None	83 lbs
DS1818-L	63" W x 27" D x 27" H	23.5"D x 56.5"W x 43"H	18"	Corner	2	Left	94 lbs
DS1818-R	63" W x 27" D x 27" H	23.5"D x 56.5"W x 43"H	18"	Corner	2	Right	94 lbs
DS1818-RL	84" W x 27" D x 27" H	23.5"D x 72"W x 43"H	18"	Corner	2	Both	106 lbs
TS1818-0	59" W x 27" D x 27" H	23.5"D x 59"W x 43"H	18"	Corner	3	None	110 lbs
TS1818-L	81" W x 27" D x 27" H	23.5"D x 74.5"W x 43"H	18"	Corner	3	Left	121 lbs
TS1818-R	81" W x 27" D x 27" H	23.5"D x 74.5"W x 43"H	18"	Corner	3	Right	121 lbs
TS1818-RL	103" W x 27" D x 27" H	23.5"D x 90"W x 43"H	18"	Corner	3	Both	133 lbs

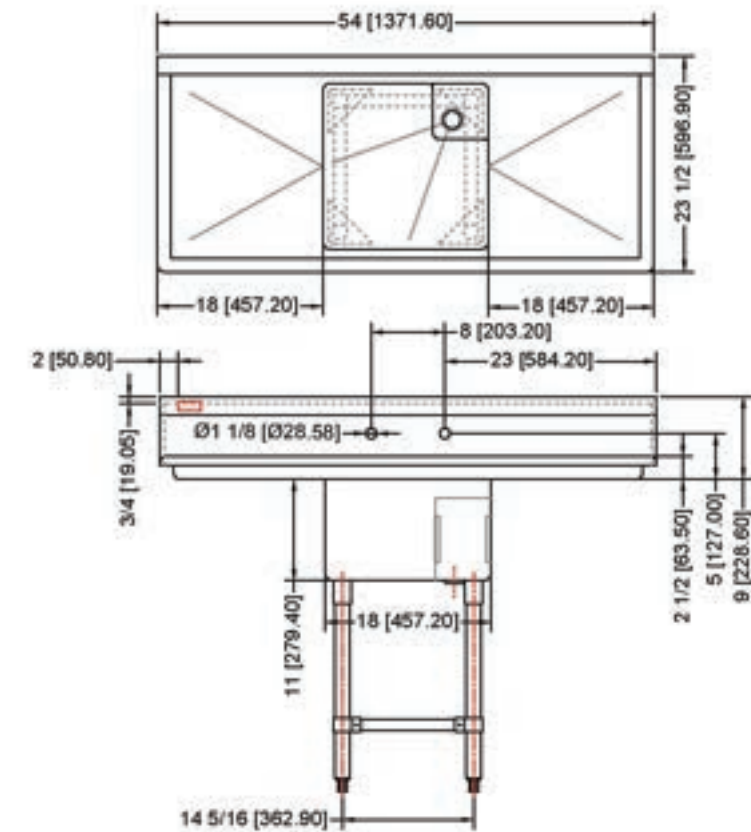
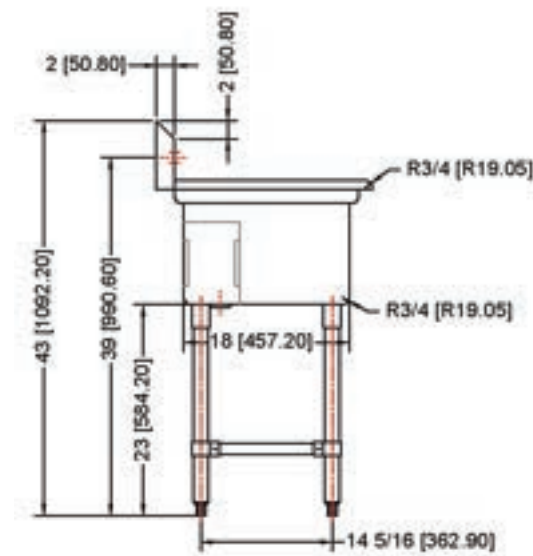
**SS1818-RL**  
Technical Drawing

**Stainless Steel  
Compartment Sinks**

**SS1818-RL**



Size:	23.5"D x 54"W x 43"H
Drain Location:	Corner
No. of Bowls:	One
Drainboards:	Both
Bowl Size:	18"
Weight:	79 lbs
Shipping Size:	66" W x 27" D x 27" H



18" One Compartment Sink Both Drainboards

**Features**



- Premium 18 Gauge Type 304 stainless steel for durability.
- Stamped drain boards and bottoms for optimal water flow.
- 11" deep bowls with center or corner drain options.
- Pre-cut 8" center holes for wall mount faucets.
- Corner drains with 1 7/8" holes and a 10" overflow pipe, including a drain basket.
- 36" tall from floor to rim, 43" to top of backsplash.
- Single piece with 5/8" radius corners for easy cleaning.
- Polished welded joints for a sleek appearance.
- Gussets attached to reinforced plate for strength.
- U shape leg braces included for maximum support.
- Entirely TIG welded for superior strength and finish.

Model	Shipping Size	Product Size	Sink Width	Drain Area	Sink Bowls	Boards	Weight
SS1818-0	24" W x 27" D x 27" H	23.5"D x 23"W x 43"H	18"	Corner	1	None	58 lbs
SS1818-L	45" W x 27" D x 27" H	23.5"D x 38.5"W x 43"H	18"	Corner	1	Left	68 lbs
SS1818-R	45" W x 27" D x 27" H	23.5"D x 38.5"W x 43"H	18"	Corner	1	Right	68 lbs
SS1818-RL	66" W x 27" D x 27" H	23.5"D x 54"W x 43"H	18"	Corner	1	Both	79 lbs
DS1818-0	42" W x 27" D x 27" H	23.5"D x 41"W x 43"H	18"	Corner	2	None	83 lbs
DS1818-L	63" W x 27" D x 27" H	23.5"D x 56.5"W x 43"H	18"	Corner	2	Left	94 lbs
DS1818-R	63" W x 27" D x 27" H	23.5"D x 56.5"W x 43"H	18"	Corner	2	Right	94 lbs
DS1818-RL	84" W x 27" D x 27" H	23.5"D x 72"W x 43"H	18"	Corner	2	Both	106 lbs
TS1818-0	59" W x 27" D x 27" H	23.5"D x 59"W x 43"H	18"	Corner	3	None	110 lbs
TS1818-L	81" W x 27" D x 27" H	23.5"D x 74.5"W x 43"H	18"	Corner	3	Left	121 lbs
TS1818-R	81" W x 27" D x 27" H	23.5"D x 74.5"W x 43"H	18"	Corner	3	Right	121 lbs
TS1818-RL	103" W x 27" D x 27" H	23.5"D x 90"W x 43"H	18"	Corner	3	Both	133 lbs



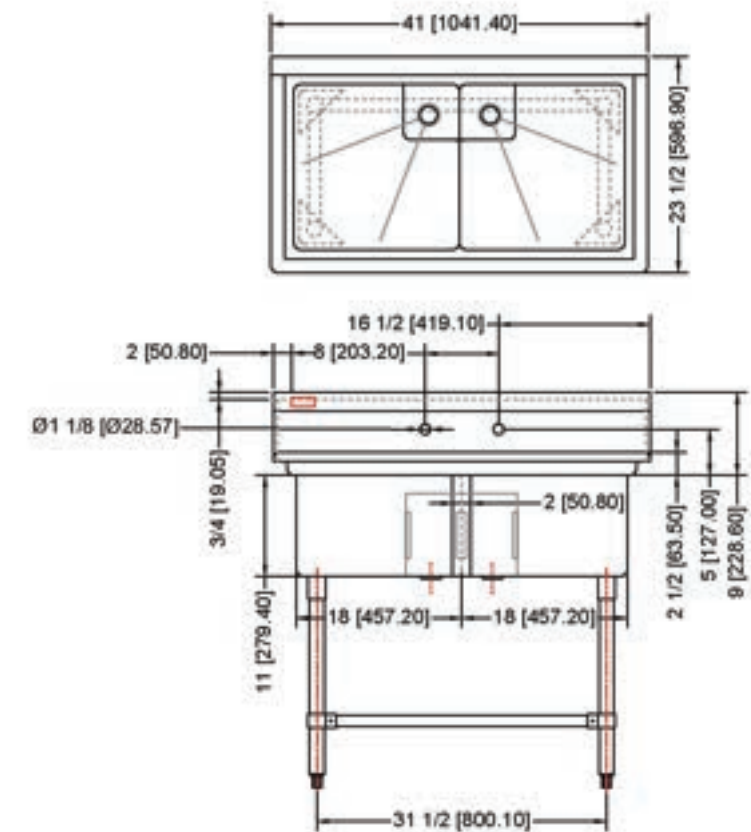
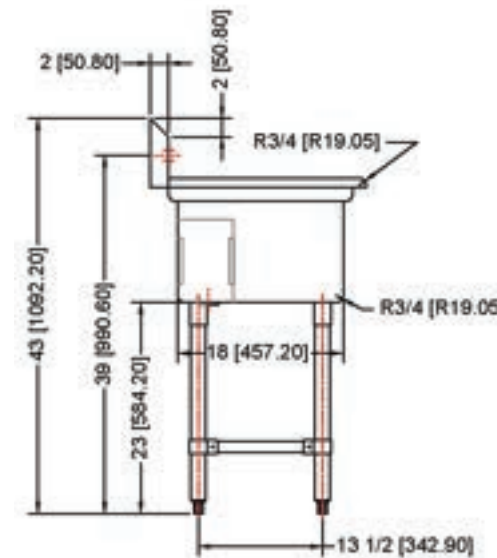
**DS1818-0**  
Technical Drawing



**Stainless Steel  
Compartment Sinks**

**DS1818-0**

Size:	23.5"D x 41"W x 43"H
Drain Location:	Corner
No. of Bowls:	Two
Drainboards:	None
Bowl Size:	18"
Weight:	83 lbs
Shipping Size:	42" W x 27" D x 27" H



18" Two Compartment Sink No Drainboard

**Features**



- ✓ Premium 18 Gauge Type 304 stainless steel for durability.
- ✓ Stamped drain boards and bottoms for optimal water flow.
- ✓ 11" deep bowls with center or corner drain options.
- ✓ Pre-cut 8" center holes for wall mount faucets.
- ✓ Corner drains with 1 7/8" holes and a 10" overflow pipe, including a drain basket.
- ✓ 36" tall from floor to rim, 43" to top of back splash.
- ✓ Single piece with 5/8" radius corners for easy cleaning.
- ✓ Polished welded joints for a sleek appearance.
- ✓ Gussets attached to reinforced plate for strength.
- ✓ U shape leg braces included for maximum support.
- ✓ Entirely TIG welded for superior strength and finish.

Model	Shipping Size	Product Size	Sink Width	Drain Area	Sink Bowls	Boards	Weight
SS1818-0	24" W x 27" D x 27" H	23.5"D x 23"W x 43"H	18"	Corner	1	None	58 lbs
SS1818-L	45" W x 27" D x 27" H	23.5"D x 38.5"W x 43"H	18"	Corner	1	Left	68 lbs
SS1818-R	45" W x 27" D x 27" H	23.5"D x 38.5"W x 43"H	18"	Corner	1	Right	68 lbs
SS1818-RL	66" W x 27" D x 27" H	23.5"D x 54"W x 43"H	18"	Corner	1	Both	79 lbs
DS1818-0	42" W x 27" D x 27" H	23.5"D x 41"W x 43"H	18"	Corner	2	None	83 lbs
DS1818-L	63" W x 27" D x 27" H	23.5"D x 56.5"W x 43"H	18"	Corner	2	Left	94 lbs
DS1818-R	63" W x 27" D x 27" H	23.5"D x 56.5"W x 43"H	18"	Corner	2	Right	94 lbs
DS1818-RL	84" W x 27" D x 27" H	23.5"D x 72"W x 43"H	18"	Corner	2	Both	106 lbs
TS1818-0	59" W x 27" D x 27" H	23.5"D x 59"W x 43"H	18"	Corner	3	None	110 lbs
TS1818-L	81" W x 27" D x 27" H	23.5"D x 74.5"W x 43"H	18"	Corner	3	Left	121 lbs
TS1818-R	81" W x 27" D x 27" H	23.5"D x 74.5"W x 43"H	18"	Corner	3	Right	121 lbs
TS1818-RL	103" W x 27" D x 27" H	23.5"D x 90"W x 43"H	18"	Corner	3	Both	133 lbs

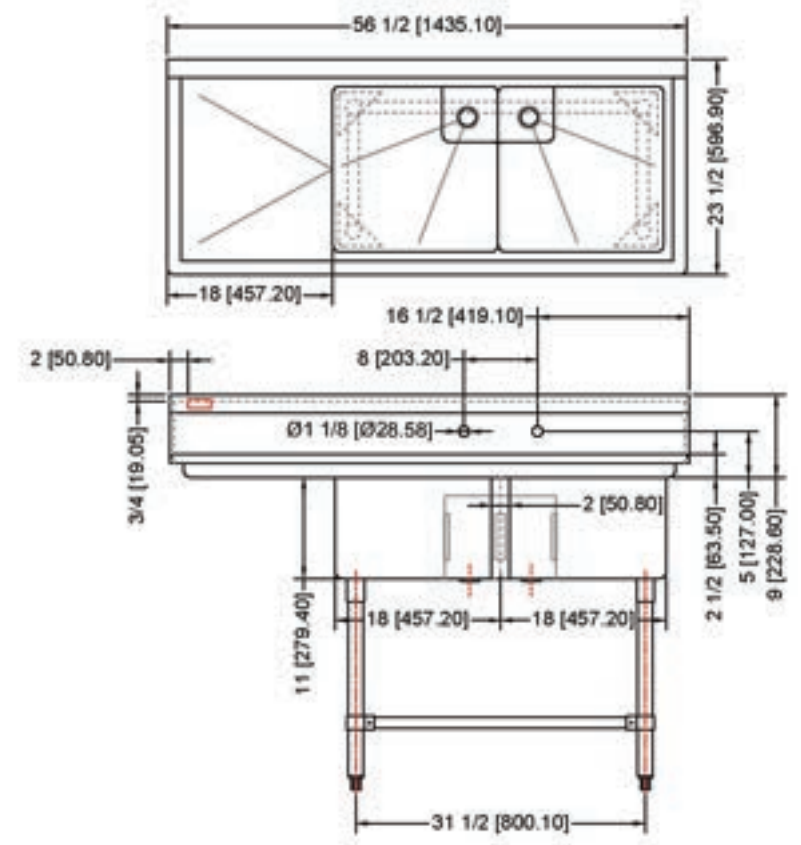
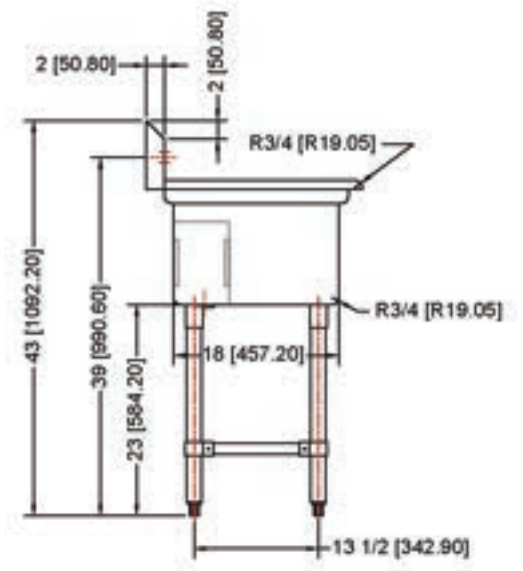
**DS1818-L**  
Technical Drawing



**Stainless Steel  
Compartment Sinks**

**DS1818-L**

Size:	23.5"D x 56.5"W x 43"H
Drain Location:	Corner
No. of Bowls:	Two
Drainboards:	Left
Bowl Size:	18"
Weight:	94 lbs
Shipping Size:	63" W x 27" D x 27" H



18" Two Compartment Sink Left Drainboard

**Features**



- ✓ Premium 18 Gauge Type 304 stainless steel for durability.
- ✓ Stamped drain boards and bottoms for optimal water flow.
- ✓ 11" deep bowls with center or corner drain options.
- ✓ Pre-cut 8" center holes for wall mount faucets.
- ✓ Corner drains with 1 7/8" holes and a 10" overflow pipe, including a drain basket.
- ✓ 36" tall from floor to rim, 43" to top of back splash.
- ✓ Single piece with 5/8" radius corners for easy cleaning.
- ✓ Polished welded joints for a sleek appearance.
- ✓ Gussets attached to reinforced plate for strength.
- ✓ U shape leg braces included for maximum support.
- ✓ Entirely TIG welded for superior strength and finish.

Model	Shipping Size	Product Size	Sink Width	Drain Area	Sink Bowls	Boards	Weight
SS1818-0	24" W x 27" D x 27" H	23.5"D x 23"W x 43"H	18"	Corner	1	None	58 lbs
SS1818-L	45" W x 27" D x 27" H	23.5"D x 38.5"W x 43"H	18"	Corner	1	Left	68 lbs
SS1818-R	45" W x 27" D x 27" H	23.5"D x 38.5"W x 43"H	18"	Corner	1	Right	68 lbs
SS1818-RL	66" W x 27" D x 27" H	23.5"D x 54"W x 43"H	18"	Corner	1	Both	79 lbs
DS1818-0	42" W x 27" D x 27" H	23.5"D x 41"W x 43"H	18"	Corner	2	None	83 lbs
DS1818-L	63" W x 27" D x 27" H	23.5"D x 56.5"W x 43"H	18"	Corner	2	Left	94 lbs
DS1818-R	63" W x 27" D x 27" H	23.5"D x 56.5"W x 43"H	18"	Corner	2	Right	94 lbs
DS1818-RL	84" W x 27" D x 27" H	23.5"D x 72"W x 43"H	18"	Corner	2	Both	106 lbs
TS1818-0	59" W x 27" D x 27" H	23.5"D x 59"W x 43"H	18"	Corner	3	None	110 lbs
TS1818-L	81" W x 27" D x 27" H	23.5"D x 74.5"W x 43"H	18"	Corner	3	Left	121 lbs
TS1818-R	81" W x 27" D x 27" H	23.5"D x 74.5"W x 43"H	18"	Corner	3	Right	121 lbs
TS1818-RL	103" W x 27" D x 27" H	23.5"D x 90"W x 43"H	18"	Corner	3	Both	133 lbs

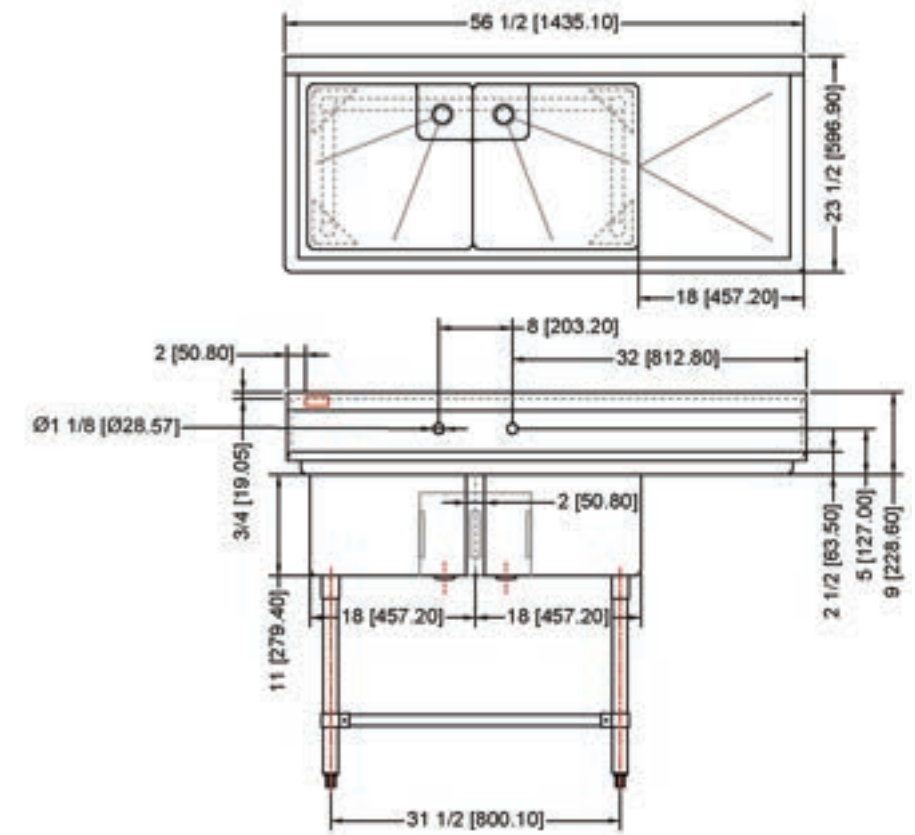
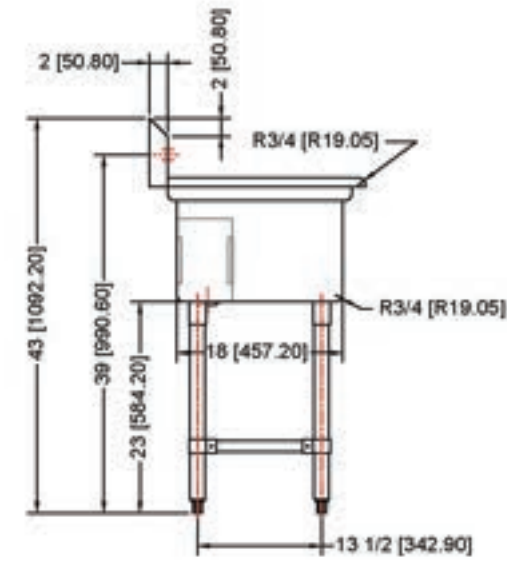


**DS1818-R**  
Technical Drawing

**Stainless Steel  
Compartment Sinks**

**DS1818-R**

Size:	23.5"D x 56.5"W x 43"H
Drain Location:	Corner
No. of Bowls:	Two
Drainboards:	Right
Bowl Size:	18"
Weight:	94 lbs
Shipping Size:	63" W x 27" D x 27" H



18" Two Compartment Sink Right Drainboard

**Features**



- Premium 18 Gauge Type 304 stainless steel for durability.
- Stamped drain boards and bottoms for optimal water flow.
- 11" deep bowls with center or corner drain options.
- Pre-cut 8" center holes for wall mount faucets.
- Corner drains with 1 7/8" holes and a 10" overflow pipe, including a drain basket.
- 36" tall from floor to rim, 43" to top of backsplash.
- Single piece with 5/8" radius corners for easy cleaning.
- Polished welded joints for a sleek appearance.
- Gussets attached to reinforced plate for strength.
- U shape leg braces included for maximum support.
- Entirely TIG welded for superior strength and finish.

Model	Shipping Size	Product Size	Sink Width	Drain Area	Sink Bowls	Boards	Weight
SS1818-0	24" W x 27" D x 27" H	23.5"D x 23"W x 43"H	18"	Corner	1	None	58 lbs
SS1818-L	45" W x 27" D x 27" H	23.5"D x 38.5"W x 43"H	18"	Corner	1	Left	68 lbs
SS1818-R	45" W x 27" D x 27" H	23.5"D x 38.5"W x 43"H	18"	Corner	1	Right	68 lbs
SS1818-RL	66" W x 27" D x 27" H	23.5"D x 54"W x 43"H	18"	Corner	1	Both	79 lbs
DS1818-0	42" W x 27" D x 27" H	23.5"D x 41"W x 43"H	18"	Corner	2	None	83 lbs
DS1818-L	63" W x 27" D x 27" H	23.5"D x 56.5"W x 43"H	18"	Corner	2	Left	94 lbs
DS1818-R	63" W x 27" D x 27" H	23.5"D x 56.5"W x 43"H	18"	Corner	2	Right	94 lbs
DS1818-RL	84" W x 27" D x 27" H	23.5"D x 72"W x 43"H	18"	Corner	2	Both	106 lbs
TS1818-0	59" W x 27" D x 27" H	23.5"D x 59"W x 43"H	18"	Corner	3	None	110 lbs
TS1818-L	81" W x 27" D x 27" H	23.5"D x 74.5"W x 43"H	18"	Corner	3	Left	121 lbs
TS1818-R	81" W x 27" D x 27" H	23.5"D x 74.5"W x 43"H	18"	Corner	3	Right	121 lbs
TS1818-RL	103" W x 27" D x 27" H	23.5"D x 90"W x 43"H	18"	Corner	3	Both	133 lbs



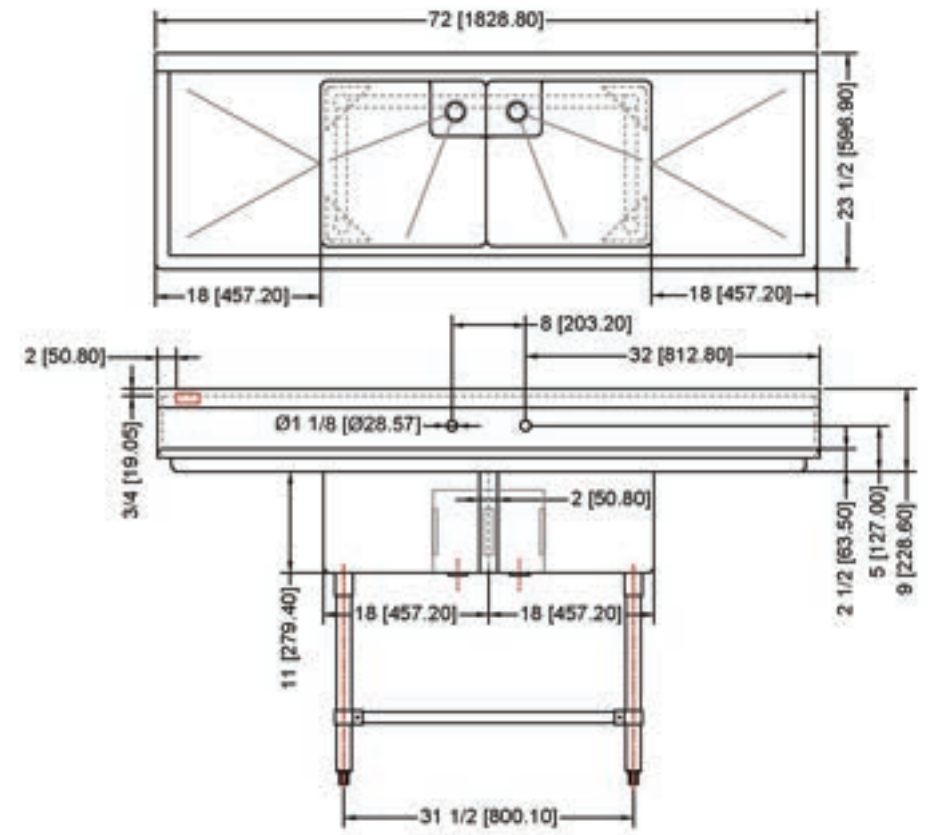
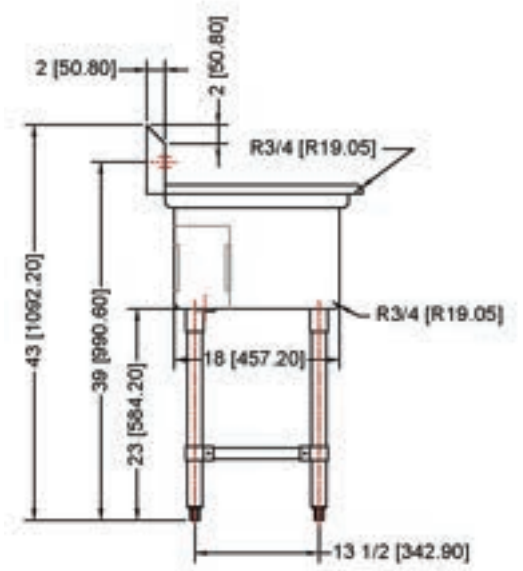
**DS1818-RL**  
Technical Drawing

**Stainless Steel  
Compartment Sinks**



**DS1818-RL**

Size:	23.5"D x 72"W x 43"H
Drain Location:	Corner
No. of Bowls:	Two
Drainboards:	Both
Bowl Size:	18"
Weight:	106 lbs
Shipping Size:	84" W x 27" D x 27" H



18" Two Compartment Sink Both Drainboards

**Features**



- Premium 18 Gauge Type 304 stainless steel for durability.
- Stamped drain boards and bottoms for optimal water flow.
- 11" deep bowls with center or corner drain options.
- Pre-cut 8" center holes for wall mount faucets.
- Corner drains with 1 7/8" holes and a 10" overflow pipe, including a drain basket.
- 36" tall from floor to rim, 43" to top of backsplash.
- Single piece with 5/8" radius corners for easy cleaning.
- Polished welded joints for a sleek appearance.
- Gussets attached to reinforced plate for strength.
- U shape leg braces included for maximum support.
- Entirely TIG welded for superior strength and finish.

Model	Shipping Size	Product Size	Sink Width	Drain Area	Sink Bowls	Boards	Weight
SS1818-0	24" W x 27" D x 27" H	23.5"D x 23"W x 43"H	18"	Corner	1	None	58 lbs
SS1818-L	45" W x 27" D x 27" H	23.5"D x 38.5"W x 43"H	18"	Corner	1	Left	68 lbs
SS1818-R	45" W x 27" D x 27" H	23.5"D x 38.5"W x 43"H	18"	Corner	1	Right	68 lbs
SS1818-RL	66" W x 27" D x 27" H	23.5"D x 54"W x 43"H	18"	Corner	1	Both	79 lbs
DS1818-0	42" W x 27" D x 27" H	23.5"D x 41"W x 43"H	18"	Corner	2	None	83 lbs
DS1818-L	63" W x 27" D x 27" H	23.5"D x 56.5"W x 43"H	18"	Corner	2	Left	94 lbs
DS1818-R	63" W x 27" D x 27" H	23.5"D x 56.5"W x 43"H	18"	Corner	2	Right	94 lbs
DS1818-RL	84" W x 27" D x 27" H	23.5"D x 72"W x 43"H	18"	Corner	2	Both	106 lbs
TS1818-0	59" W x 27" D x 27" H	23.5"D x 59"W x 43"H	18"	Corner	3	None	110 lbs
TS1818-L	81" W x 27" D x 27" H	23.5"D x 74.5"W x 43"H	18"	Corner	3	Left	121 lbs
TS1818-R	81" W x 27" D x 27" H	23.5"D x 74.5"W x 43"H	18"	Corner	3	Right	121 lbs
TS1818-RL	103" W x 27" D x 27" H	23.5"D x 90"W x 43"H	18"	Corner	3	Both	133 lbs

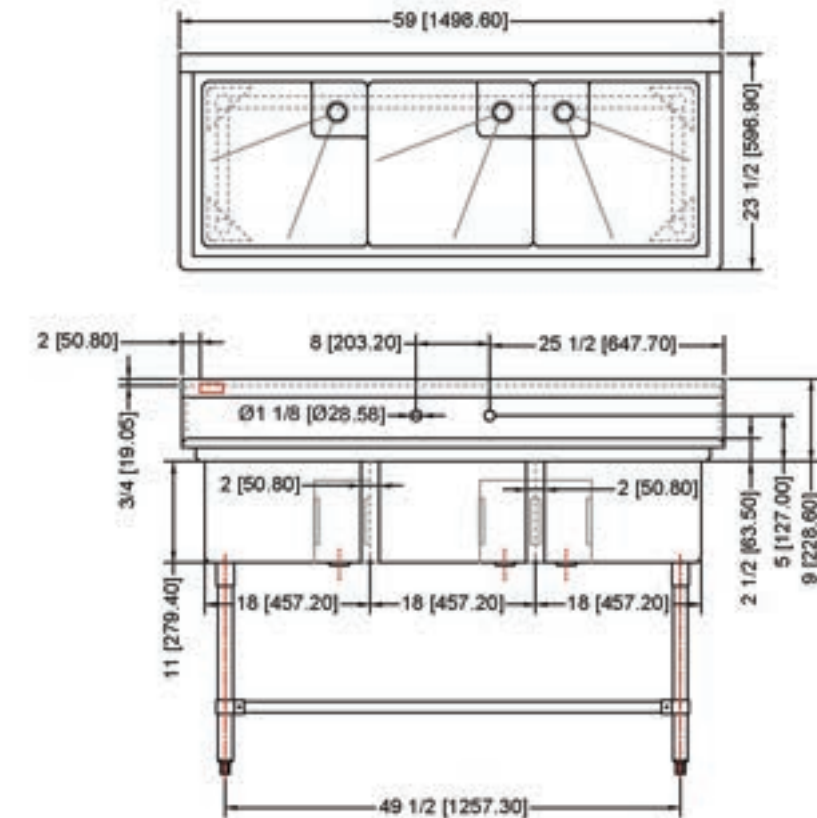
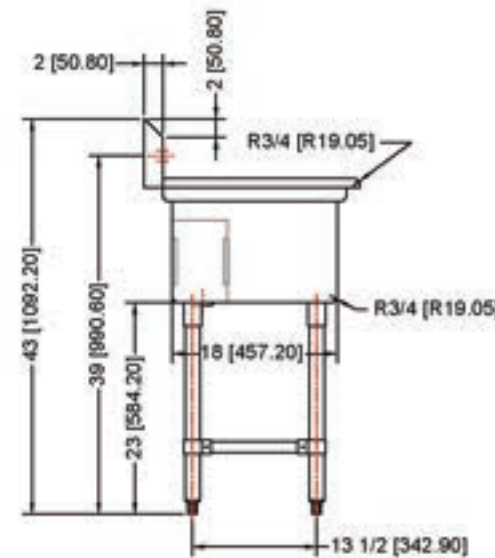


## Stainless Steel Compartment Sinks

### TS1818-0

Size:	23.5"D x 59"W x 43"H
Drain Location:	Corner
No. of Bowls:	Three
Drainboards:	None
Bowl Size:	18"
Weight:	110 lbs
Shipping Size:	59" W x 27" D x 27" H

### TS1818-0 Technical Drawing



## 18" Three Compartment Sink No Drainboard

### Features



- ✓ Premium 18 Gauge Type 304 stainless steel for durability.
- ✓ Stamped drain boards and bottoms for optimal water flow.
- ✓ 11" deep bowls with center or corner drain options.
- ✓ Pre-cut 8" center holes for wall mount faucets.
- ✓ Corner drains with 1 7/8" holes and a 10" overflow pipe, including a drain basket.
- ✓ 36" tall from floor to rim, 43" to top of back splash.
- ✓ Single piece with 5/8" radius corners for easy cleaning.
- ✓ Polished welded joints for a sleek appearance.
- ✓ Gussets attached to reinforced plate for strength.
- ✓ U shape leg braces included for maximum support.
- ✓ Entirely TIG welded for superior strength and finish.

Model	Shipping Size	Product Size	Sink Width	Drain Area	Sink Bowls	Boards	Weight
SS1818-0	24" W x 27" D x 27" H	23.5"D x 23"W x 43"H	18"	Corner	1	None	58 lbs
SS1818-L	45" W x 27" D x 27" H	23.5"D x 38.5"W x 43"H	18"	Corner	1	Left	68 lbs
SS1818-R	45" W x 27" D x 27" H	23.5"D x 38.5"W x 43"H	18"	Corner	1	Right	68 lbs
SS1818-RL	66" W x 27" D x 27" H	23.5"D x 54"W x 43"H	18"	Corner	1	Both	79 lbs
DS1818-0	42" W x 27" D x 27" H	23.5"D x 41"W x 43"H	18"	Corner	2	None	83 lbs
DS1818-L	63" W x 27" D x 27" H	23.5"D x 56.5"W x 43"H	18"	Corner	2	Left	94 lbs
DS1818-R	63" W x 27" D x 27" H	23.5"D x 56.5"W x 43"H	18"	Corner	2	Right	94 lbs
DS1818-RL	84" W x 27" D x 27" H	23.5"D x 72"W x 43"H	18"	Corner	2	Both	106 lbs
TS1818-0	59" W x 27" D x 27" H	23.5"D x 59"W x 43"H	18"	Corner	3	None	110 lbs
TS1818-L	81" W x 27" D x 27" H	23.5"D x 74.5"W x 43"H	18"	Corner	3	Left	121 lbs
TS1818-R	81" W x 27" D x 27" H	23.5"D x 74.5"W x 43"H	18"	Corner	3	Right	121 lbs
TS1818-RL	103" W x 27" D x 27" H	23.5"D x 90"W x 43"H	18"	Corner	3	Both	133 lbs

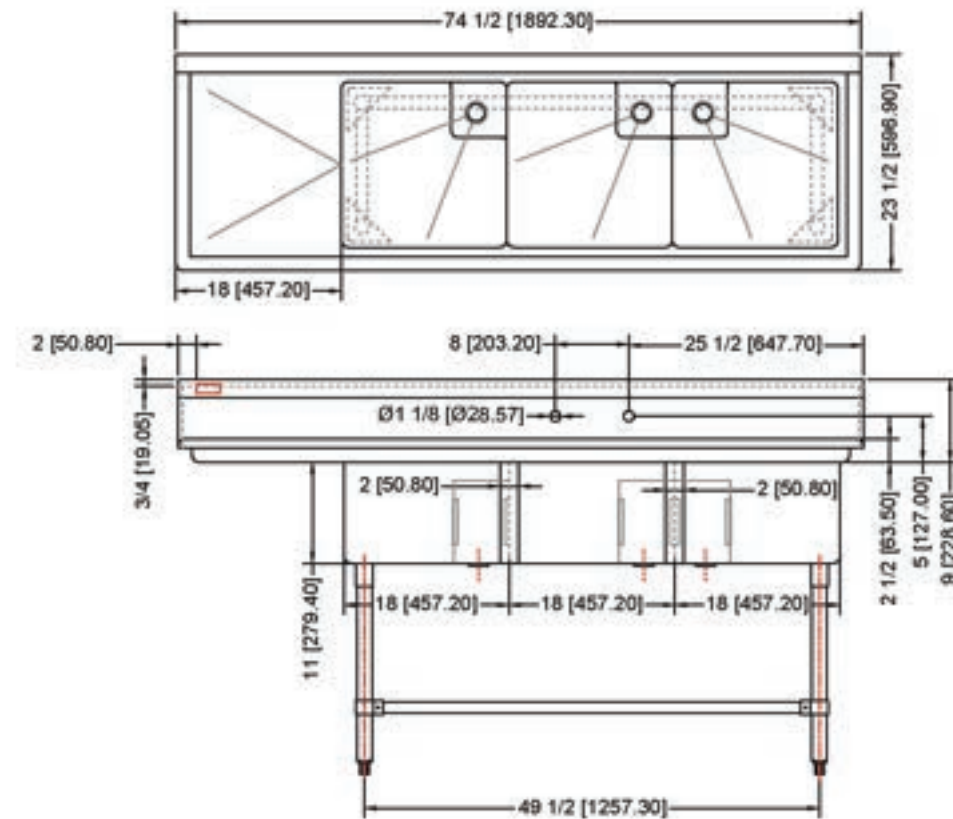
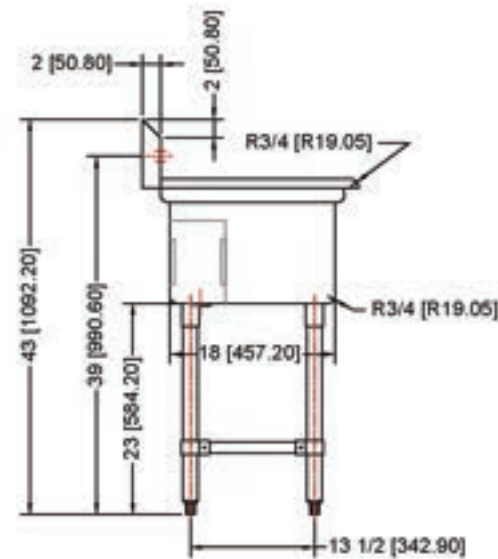


**TS1818-L**  
Technical Drawing

**Stainless Steel  
Compartment Sinks**

**TS1818-L**

Size:	23.5"D x 74.5"W x 43"H
Drain Location:	Corner
No. of Bowls:	Three
Drainboards:	Left
Bowl Size:	18"
Weight:	121 lbs
Shipping Size:	81" W x 27" D x 27" H



18" Three Compartment Sink Left Drainboard

**Features**



- ✓ Premium 18 Gauge Type 304 stainless steel for durability.
- ✓ Stamped drain boards and bottoms for optimal water flow.
- ✓ 11" deep bowls with center or corner drain options.
- ✓ Pre-cut 8" center holes for wall mount faucets.
- ✓ Corner drains with 1 7/8" holes and a 10" overflow pipe, including a drain basket.
- ✓ 36" tall from floor to rim, 43" to top of backsplash.
- ✓ Single piece with 5/8" radius corners for easy cleaning.
- ✓ Polished welded joints for a sleek appearance.
- ✓ Gussets attached to reinforced plate for strength.
- ✓ U shape leg braces included for maximum support.
- ✓ Entirely TIG welded for superior strength and finish.

Model	Shipping Size	Product Size	Sink Width	Drain Area	Sink Bowls	Boards	Weight
SS1818-0	24" W x 27" D x 27" H	23.5"D x 23"W x 43"H	18"	Corner	1	None	58 lbs
SS1818-L	45" W x 27" D x 27" H	23.5"D x 38.5"W x 43"H	18"	Corner	1	Left	68 lbs
SS1818-R	45" W x 27" D x 27" H	23.5"D x 38.5"W x 43"H	18"	Corner	1	Right	68 lbs
SS1818-RL	66" W x 27" D x 27" H	23.5"D x 54"W x 43"H	18"	Corner	1	Both	79 lbs
DS1818-0	42" W x 27" D x 27" H	23.5"D x 41"W x 43"H	18"	Corner	2	None	83 lbs
DS1818-L	63" W x 27" D x 27" H	23.5"D x 56.5"W x 43"H	18"	Corner	2	Left	94 lbs
DS1818-R	63" W x 27" D x 27" H	23.5"D x 56.5"W x 43"H	18"	Corner	2	Right	94 lbs
DS1818-RL	84" W x 27" D x 27" H	23.5"D x 72"W x 43"H	18"	Corner	2	Both	106 lbs
TS1818-0	59" W x 27" D x 27" H	23.5"D x 59"W x 43"H	18"	Corner	3	None	110 lbs
TS1818-L	81" W x 27" D x 27" H	23.5"D x 74.5"W x 43"H	18"	Corner	3	Left	121 lbs
TS1818-R	81" W x 27" D x 27" H	23.5"D x 74.5"W x 43"H	18"	Corner	3	Right	121 lbs
TS1818-RL	103" W x 27" D x 27" H	23.5"D x 90"W x 43"H	18"	Corner	3	Both	133 lbs



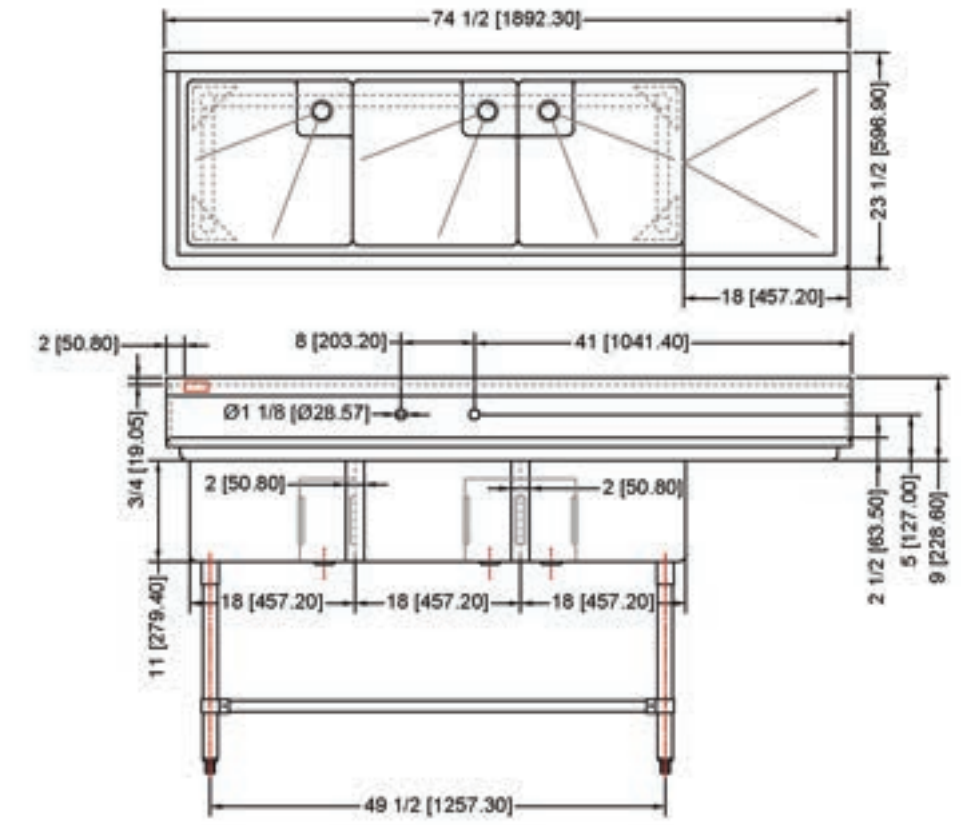
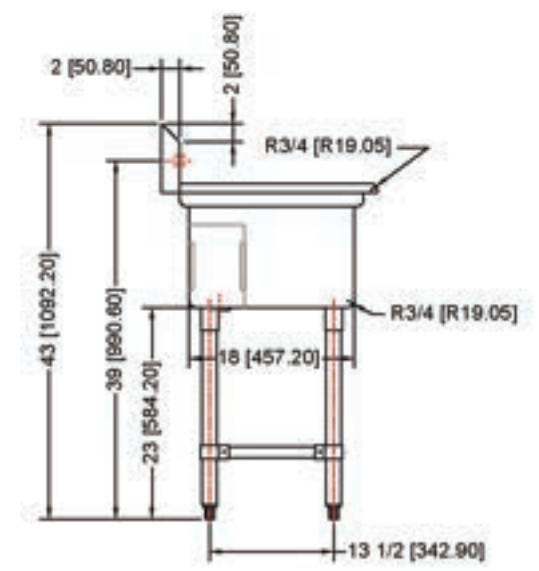
**TS1818-R**  
Technical Drawing

**Stainless Steel  
Compartment Sinks**



**TS1818-R**

Size:	23.5"D x 74.5"W x 43"H
Drain Location:	Corner
No. of Bowls:	Three
Drainboards:	Right
Bowl Size:	18"
Weight:	121 lbs
Shipping Size:	81" W x 27" D x 27" H



18" Three Compartment Sink Right Drainboard

**Features**



- Premium 18 Gauge Type 304 stainless steel for durability.
- Stamped drain boards and bottoms for optimal water flow.
- 11" deep bowls with center or corner drain options.
- Pre-cut 8" center holes for wall mount faucets.
- Corner drains with 1 7/8" holes and a 10" overflow pipe, including a drain basket.
- 36" tall from floor to rim, 43" to top of backsplash.
- Single piece with 5/8" radius corners for easy cleaning.
- Polished welded joints for a sleek appearance.
- Gussets attached to reinforced plate for strength.
- U shape leg braces included for maximum support.
- Entirely TIG welded for superior strength and finish.

Model	Shipping Size	Product Size	Sink Width	Drain Area	Sink Bowls	Boards	Weight
SS1818-0	24" W x 27" D x 27" H	23.5"D x 23"W x 43"H	18"	Corner	1	None	58 lbs
SS1818-L	45" W x 27" D x 27" H	23.5"D x 38.5"W x 43"H	18"	Corner	1	Left	68 lbs
SS1818-R	45" W x 27" D x 27" H	23.5"D x 38.5"W x 43"H	18"	Corner	1	Right	68 lbs
SS1818-RL	66" W x 27" D x 27" H	23.5"D x 54"W x 43"H	18"	Corner	1	Both	79 lbs
DS1818-0	42" W x 27" D x 27" H	23.5"D x 41"W x 43"H	18"	Corner	2	None	83 lbs
DS1818-L	63" W x 27" D x 27" H	23.5"D x 56.5"W x 43"H	18"	Corner	2	Left	94 lbs
DS1818-R	63" W x 27" D x 27" H	23.5"D x 56.5"W x 43"H	18"	Corner	2	Right	94 lbs
DS1818-RL	84" W x 27" D x 27" H	23.5"D x 72"W x 43"H	18"	Corner	2	Both	106 lbs
TS1818-0	59" W x 27" D x 27" H	23.5"D x 59"W x 43"H	18"	Corner	3	None	110 lbs
TS1818-L	81" W x 27" D x 27" H	23.5"D x 74.5"W x 43"H	18"	Corner	3	Left	121 lbs
TS1818-R	81" W x 27" D x 27" H	23.5"D x 74.5"W x 43"H	18"	Corner	3	Right	121 lbs
TS1818-RL	103" W x 27" D x 27" H	23.5"D x 90"W x 43"H	18"	Corner	3	Both	133 lbs

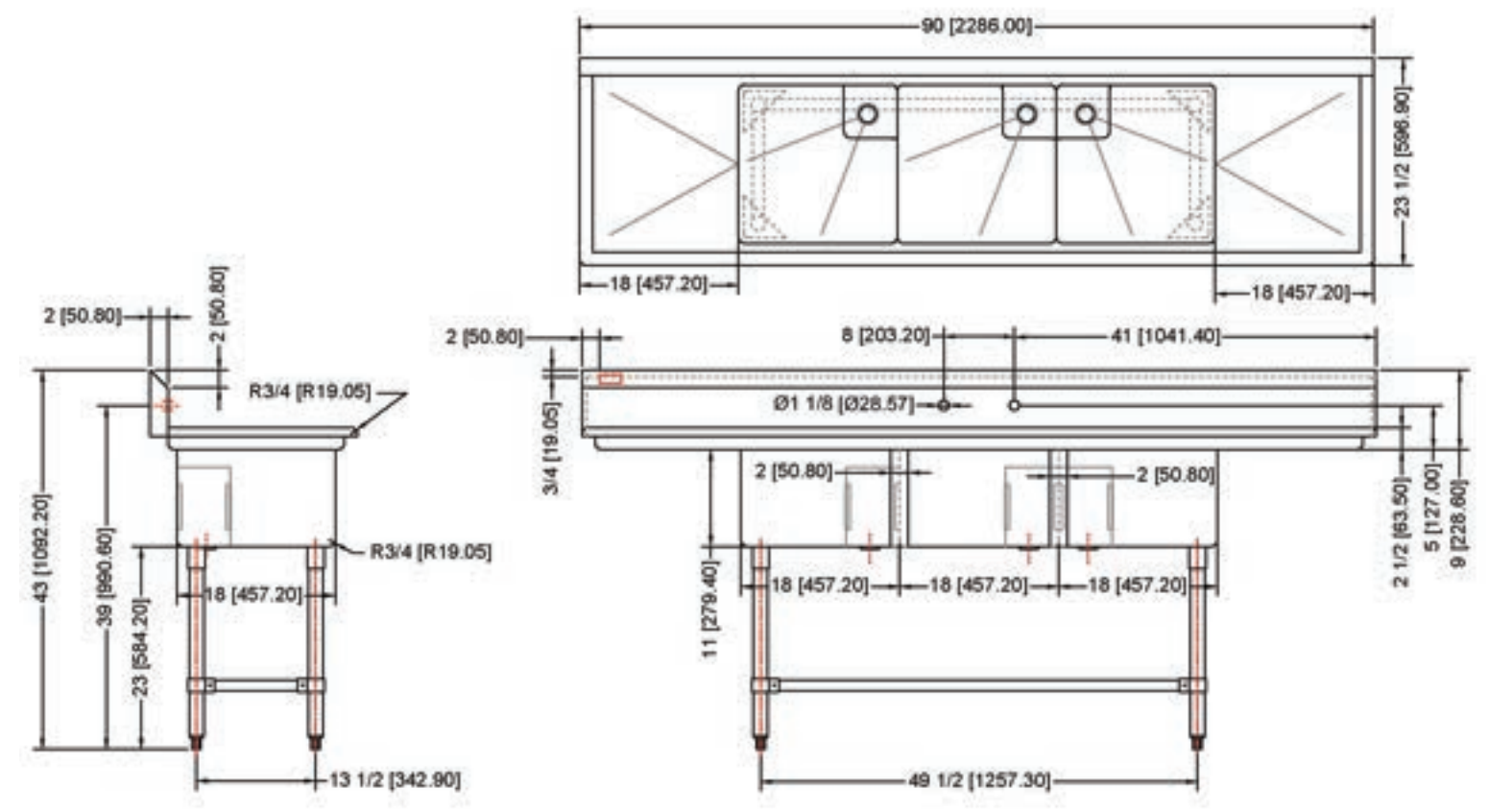
**TS1818-RL**  
Technical Drawing

**Stainless Steel  
Compartment Sinks**

**TS1818-RL**



Size:	23.5"D x 90"W x 43"H
Drain Location:	Corner
No. of Bowls:	Three
Drainboards:	Both
Bowl Size:	18"
Weight:	133 lbs
Shipping Size:	103" W x 27" D x 27" H



18" Three Compartment Sink Both Drainboards

**Features**



- ✓ Premium 18 Gauge Type 304 stainless steel for durability.
- ✓ Stamped drain boards and bottoms for optimal water flow.
- ✓ 11" deep bowls with center or corner drain options.
- ✓ Pre-cut 8" center holes for wall mount faucets.
- ✓ Corner drains with 1 7/8" holes and a 10" overflow pipe, including a drain basket.
- ✓ 36" tall from floor to rim, 43" to top of backsplash.
- ✓ Single piece with 5/8" radius corners for easy cleaning.
- ✓ Polished welded joints for a sleek appearance.
- ✓ Gussets attached to reinforced plate for strength.
- ✓ U shape leg braces included for maximum support.
- ✓ Entirely TIG welded for superior strength and finish.

Model	Shipping Size	Product Size	Sink Width	Drain Area	Sink Bowls	Boards	Weight
SS1818-0	24" W x 27" D x 27" H	23.5"D x 23"W x 43"H	18"	Corner	1	None	58 lbs
SS1818-L	45" W x 27" D x 27" H	23.5"D x 38.5"W x 43"H	18"	Corner	1	Left	68 lbs
SS1818-R	45" W x 27" D x 27" H	23.5"D x 38.5"W x 43"H	18"	Corner	1	Right	68 lbs
SS1818-RL	66" W x 27" D x 27" H	23.5"D x 54"W x 43"H	18"	Corner	1	Both	79 lbs
DS1818-0	42" W x 27" D x 27" H	23.5"D x 41"W x 43"H	18"	Corner	2	None	83 lbs
DS1818-L	63" W x 27" D x 27" H	23.5"D x 56.5"W x 43"H	18"	Corner	2	Left	94 lbs
DS1818-R	63" W x 27" D x 27" H	23.5"D x 56.5"W x 43"H	18"	Corner	2	Right	94 lbs
DS1818-RL	84" W x 27" D x 27" H	23.5"D x 72"W x 43"H	18"	Corner	2	Both	106 lbs
TS1818-0	59" W x 27" D x 27" H	23.5"D x 59"W x 43"H	18"	Corner	3	None	110 lbs
TS1818-L	81" W x 27" D x 27" H	23.5"D x 74.5"W x 43"H	18"	Corner	3	Left	121 lbs
TS1818-R	81" W x 27" D x 27" H	23.5"D x 74.5"W x 43"H	18"	Corner	3	Right	121 lbs
TS1818-RL	103" W x 27" D x 27" H	23.5"D x 90"W x 43"H	18"	Corner	3	Both	133 lbs





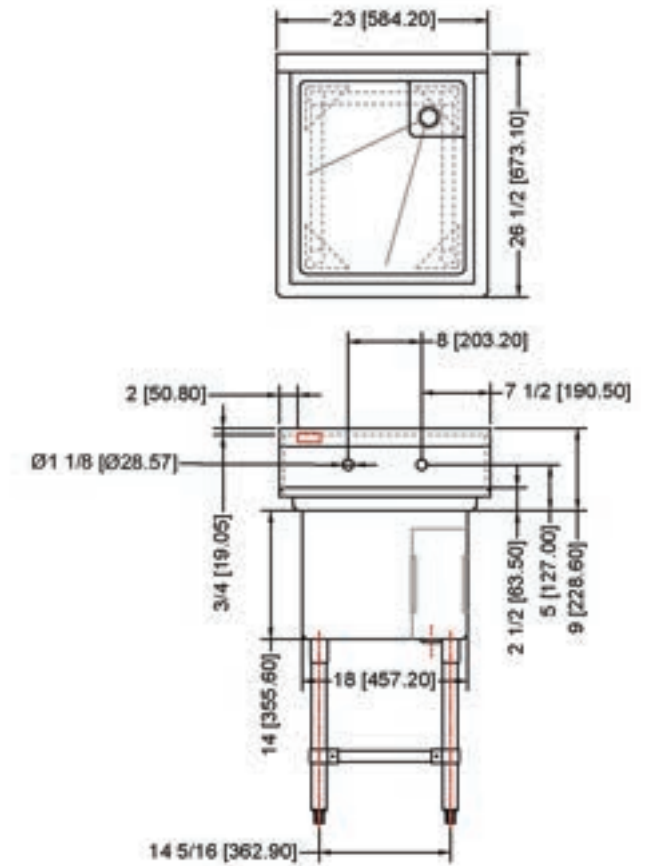
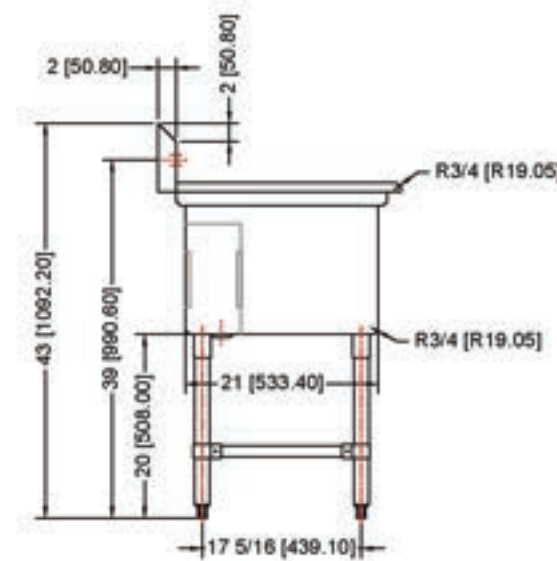
## Stainless Steel Compartment Sinks

### SS1821-0

Size:	26.5"D x 23"W x 43"H
Drain Location:	Corner
No. of Bowls:	One
Drainboards:	None
Bowl Size:	18"
Weight:	58 lbs
Shipping Size:	24" W x 27" D x 27" H

### SS1821-0

#### Technical Drawing



### 21" One Compartment Sink No Drainboard

#### Features



- ✓ Premium 18 Gauge Type 304 stainless steel for durability.
- ✓ Stamped drain boards and bottoms for optimal water flow.
- ✓ 14" deep bowls with center or corner drain options.
- ✓ Pre-cut 8" center holes for wall mount faucets.
- ✓ Corner drains with 1 7/8" holes and a 12" overflow pipe, including a drain basket.
- ✓ 36" tall from floor to rim, 43" to top of backsplash.
- ✓ Single piece with 5/8" radius corners for easy cleaning.
- ✓ Polished welded joints for a sleek appearance.
- ✓ Gussets attached to reinforced plate for strength.
- ✓ U shape leg braces included for maximum support.
- ✓ Entirely TIG welded for superior strength and finish.

Model	Shipping Size	Product Size	Sink Width	Drain Area	Sink Bowls	Boards	Weight
SS1821-0	24" W x 27" D x 27" H	26.5"D x 23"W x 43.75"H	18"	Corner	1	None	58 lbs
SS1821-L	45" W x 27" D x 27" H	26.5"D x 38.5"W x 43.75"H	18"	Corner	1	Left	68 lbs
SS1821-R	45" W x 27" D x 27" H	26.5"D x 38.5"W x 43.75"H	18"	Corner	1	Right	68 lbs
SS1821-RL	66" W x 27" D x 27" H	26.5"D x 54"W x 43.75"H	18"	Corner	1	Both	79 lbs
DS1821-0	42" W x 27" D x 27" H	26.5"D x 41"W x 43.75"H	18"	Corner	2	None	83 lbs
DS1821-L	63" W x 27" D x 27" H	26.5"D x 56.5"W x 43.75"H	18"	Corner	2	Left	94 lbs
DS1821-R	63" W x 27" D x 27" H	26.5"D x 56.5"W x 43.75"H	18"	Corner	2	Right	94 lbs
DS1821-RL	84" W x 27" D x 27" H	26.5"D x 84"W x 43.75"H	18"	Corner	2	Both	106 lbs
TS1821-0	59" W x 27" D x 27" H	26.5"D x 59"W x 43.75"H	18"	Corner	3	None	110 lbs
TS1821-L	81" W x 27" D x 27" H	26.5"D x 74.5"W x 43.75"H	18"	Corner	3	Left	121 lbs
TS1821-R	81" W x 27" D x 27" H	26.5"D x 74.5"W x 43.75"H	18"	Corner	3	Right	121 lbs
TS1821-RL	103" W x 27" D x 27" H	26.5"D x 102"W x 43.75"H	18"	Corner	3	Both	133 lbs

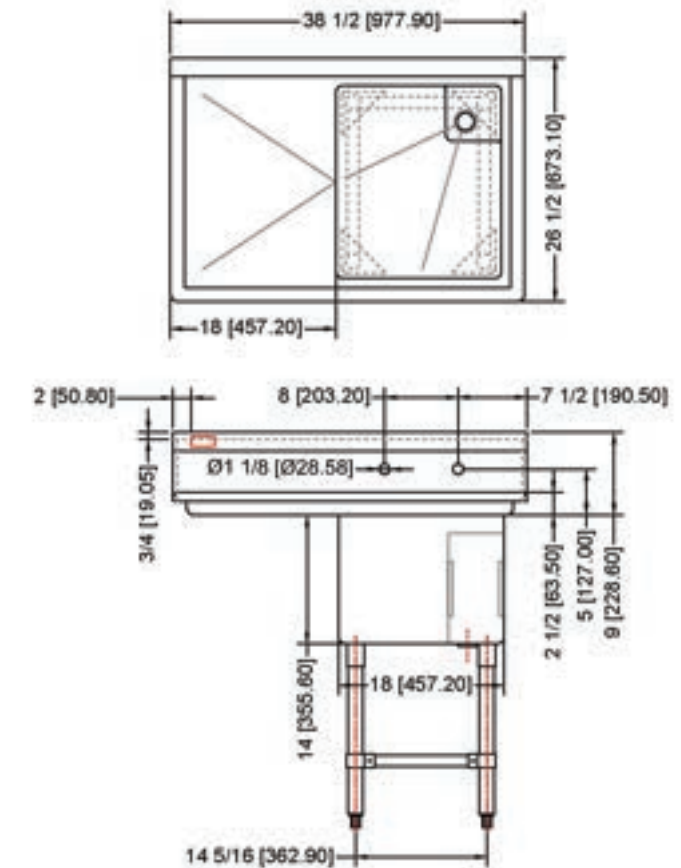
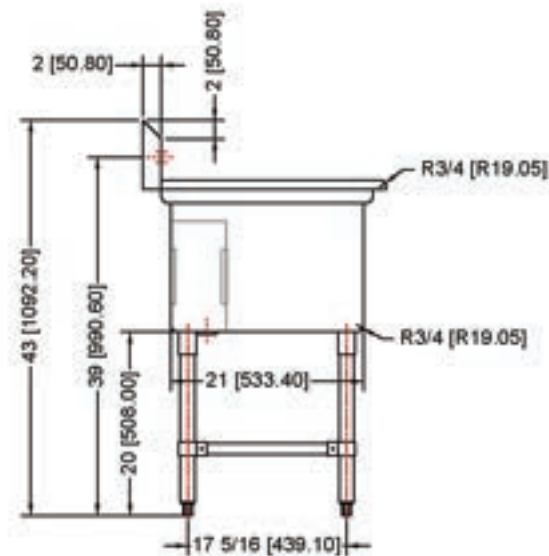


**SS1821-L**  
Technical Drawing

**Stainless Steel  
Compartment Sinks**

**SS1821-L**

Size:	26.5"D x 38.5"W x 43"H
Drain Location:	Corner
No. of Bowls:	One
Drainboards:	Left
Bowl Size:	18"
Weight:	68 lbs
Shipping Size:	45" W x 27" D x 27" H



21" One Compartment Sink Left Drainboard

**Features**



- ✓ Premium 18 Gauge Type 304 stainless steel for durability.
- ✓ Stamped drain boards and bottoms for optimal water flow.
- ✓ 14" deep bowls with center or corner drain options.
- ✓ Pre-cut 8" center holes for wall mount faucets.
- ✓ Corner drains with 1 7/8" holes and a 12" overflow pipe, including a drain basket.
- ✓ 36" tall from floor to rim, 43" to top of backsplash.
- ✓ Single piece with 5/8" radius corners for easy cleaning.
- ✓ Polished welded joints for a sleek appearance.
- ✓ Gussets attached to reinforced plate for strength.
- ✓ U shape leg braces included for maximum support.
- ✓ Entirely TIG welded for superior strength and finish.

Model	Shipping Size	Product Size	Sink Width	Drain Area	Sink Bowls	Boards	Weight
SS1821-0	24" W x 27" D x 27" H	26.5"D x 23"W x 43.75"H	18"	Corner	1	None	58 lbs
SS1821-L	45" W x 27" D x 27" H	26.5"D x 38.5"W x 43.75"H	18"	Corner	1	Left	68 lbs
SS1821-R	45" W x 27" D x 27" H	26.5"D x 38.5"W x 43.75"H	18"	Corner	1	Right	68 lbs
SS1821-RL	66" W x 27" D x 27" H	26.5"D x 54"W x 43.75"H	18"	Corner	1	Both	79 lbs
DS1821-0	42" W x 27" D x 27" H	26.5"D x 41"W x 43.75"H	18"	Corner	2	None	83 lbs
DS1821-L	63" W x 27" D x 27" H	26.5"D x 56.5"W x 43.75"H	18"	Corner	2	Left	94 lbs
DS1821-R	63" W x 27" D x 27" H	26.5"D x 56.5"W x 43.75"H	18"	Corner	2	Right	94 lbs
DS1821-RL	84" W x 27" D x 27" H	26.5"D x 84"W x 43.75"H	18"	Corner	2	Both	106 lbs
TS1821-0	59" W x 27" D x 27" H	26.5"D x 59"W x 43.75"H	18"	Corner	3	None	110 lbs
TS1821-L	81" W x 27" D x 27" H	26.5"D x 74.5"W x 43.75"H	18"	Corner	3	Left	121 lbs
TS1821-R	81" W x 27" D x 27" H	26.5"D x 74.5"W x 43.75"H	18"	Corner	3	Right	121 lbs
TS1821-RL	103" W x 27" D x 27" H	26.5"D x 102"W x 43.75"H	18"	Corner	3	Both	133 lbs

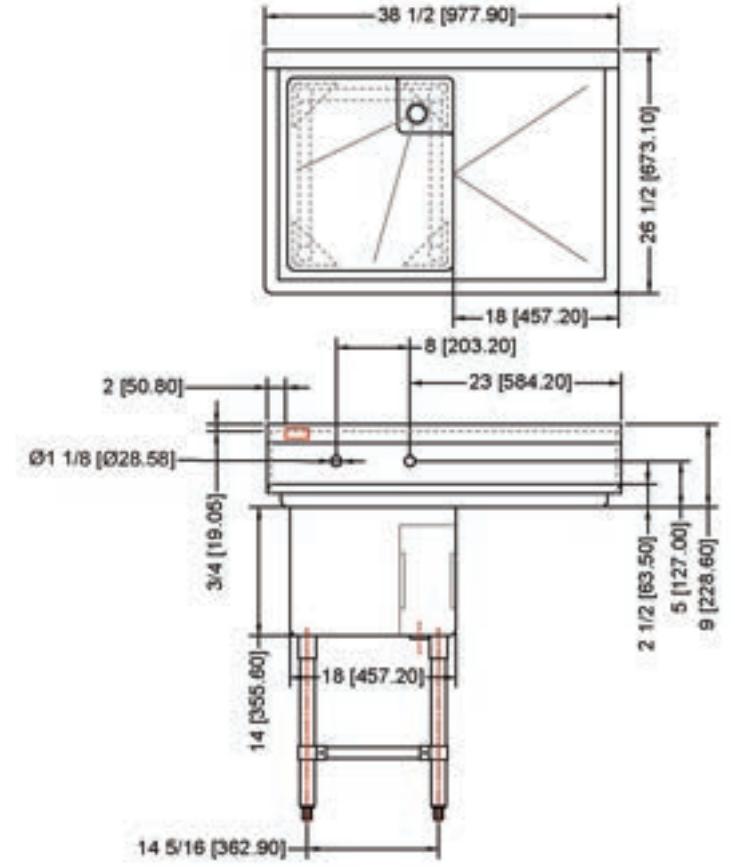
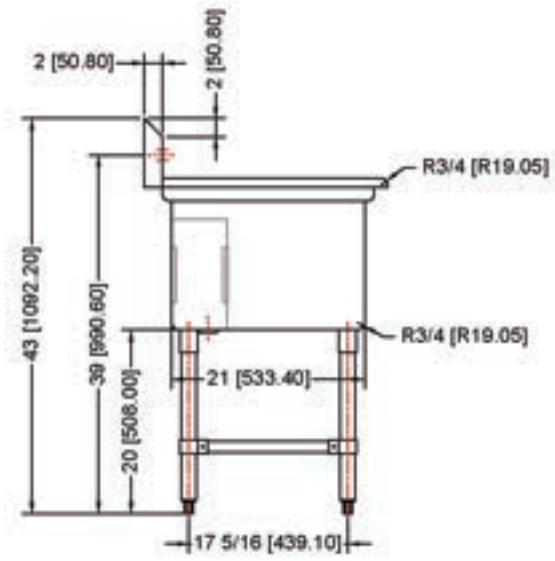
**SS1821-R**  
Technical Drawing

**Stainless Steel  
Compartment Sinks**



**SS1821-R**

Size:	26.5"D x 38.5"W x 43"H
Drain Location:	Corner
No. of Bowls:	One
Drainboards:	Right
Bowl Size:	18"
Weight:	68 lbs
Shipping Size:	45" W x 27" D x 27" H



21" One Compartment Sink Right Drainboard

**Features**



- ✓ Premium 18 Gauge Type 304 stainless steel for durability.
- ✓ Stamped drain boards and bottoms for optimal water flow.
- ✓ 14" deep bowls with center or corner drain options.
- ✓ Pre-cut 8" center holes for wall mount faucets.
- ✓ Corner drains with 1 7/8" holes and a 12" overflow pipe, including a drain basket.
- ✓ 36" tall from floor to rim, 43" to top of backsplash.
- ✓ Single piece with 5/8" radius corners for easy cleaning.
- ✓ Polished welded joints for a sleek appearance.
- ✓ Gussets attached to reinforced plate for strength.
- ✓ U shape leg braces included for maximum support.
- ✓ Entirely TIG welded for superior strength and finish.

Model	Shipping Size	Product Size	Sink Width	Drain Area	Sink Bowls	Boards	Weight
SS1821-0	24" W x 27" D x 27" H	26.5"D x 23"W x 43.75"H	18"	Corner	1	None	58 lbs
SS1821-L	45" W x 27" D x 27" H	26.5"D x 38.5"W x 43.75"H	18"	Corner	1	Left	68 lbs
SS1821-R	45" W x 27" D x 27" H	26.5"D x 38.5"W x 43.75"H	18"	Corner	1	Right	68 lbs
SS1821-RL	66" W x 27" D x 27" H	26.5"D x 54"W x 43.75"H	18"	Corner	1	Both	79 lbs
DS1821-0	42" W x 27" D x 27" H	26.5"D x 41"W x 43.75"H	18"	Corner	2	None	83 lbs
DS1821-L	63" W x 27" D x 27" H	26.5"D x 56.5"W x 43.75"H	18"	Corner	2	Left	94 lbs
DS1821-R	63" W x 27" D x 27" H	26.5"D x 56.5"W x 43.75"H	18"	Corner	2	Right	94 lbs
DS1821-RL	84" W x 27" D x 27" H	26.5"D x 84"W x 43.75"H	18"	Corner	2	Both	106 lbs
TS1821-0	59" W x 27" D x 27" H	26.5"D x 59"W x 43.75"H	18"	Corner	3	None	110 lbs
TS1821-L	81" W x 27" D x 27" H	26.5"D x 74.5"W x 43.75"H	18"	Corner	3	Left	121 lbs
TS1821-R	81" W x 27" D x 27" H	26.5"D x 74.5"W x 43.75"H	18"	Corner	3	Right	121 lbs
TS1821-RL	103" W x 27" D x 27" H	26.5"D x 102"W x 43.75"H	18"	Corner	3	Both	133 lbs



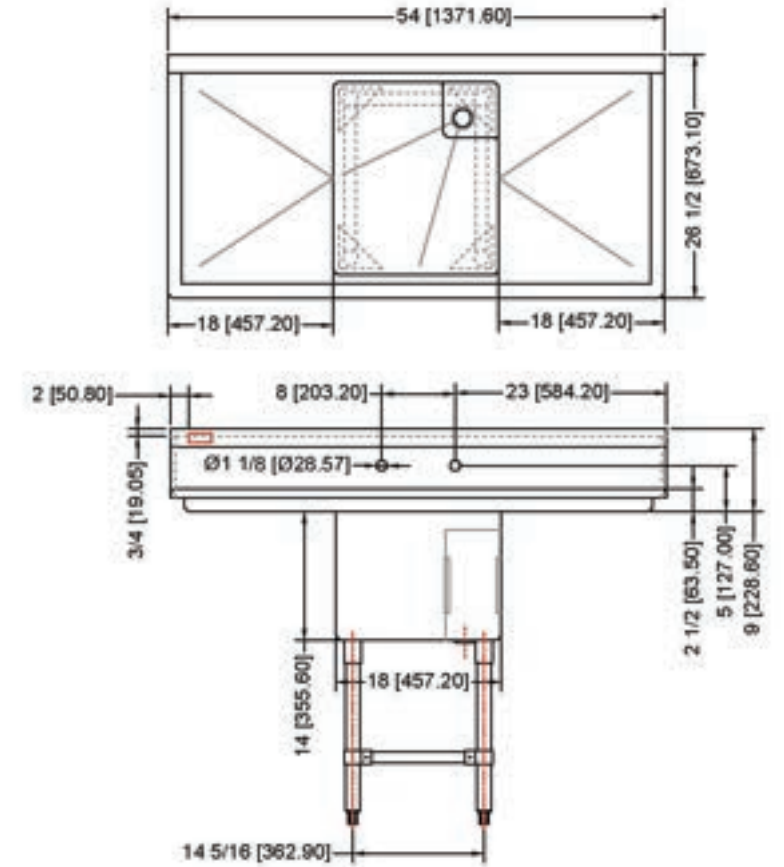
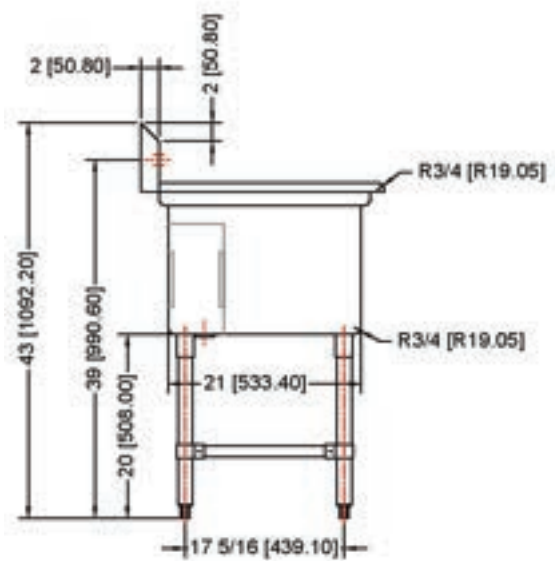
**SS1821-RL**  
Technical Drawing

**Stainless Steel  
Compartment Sinks**



**SS1821-RL**

Size:	26.5"D x 54"W x 43"H
Drain Location:	Corner
No. of Bowls:	One
Drainboards:	Both
Bowl Size:	18"
Weight:	79 lbs
Shipping Size:	66" W x 27" D x 27" H



21" One Compartment Sink Both Drainboards

**Features**



- ✓ Premium 18 Gauge Type 304 stainless steel for durability.
- ✓ Stamped drain boards and bottoms for optimal water flow.
- ✓ 14" deep bowls with center or corner drain options.
- ✓ Pre-cut 8" center holes for wall mount faucets.
- ✓ Corner drains with 1 7/8" holes and a 12" overflow pipe, including a drain basket.
- ✓ 36" tall from floor to rim, 43" to top of backsplash.
- ✓ Single piece with 5/8" radius corners for easy cleaning.
- ✓ Polished welded joints for a sleek appearance.
- ✓ Gussets attached to reinforced plate for strength.
- ✓ U shape leg braces included for maximum support.
- ✓ Entirely TIG welded for superior strength and finish.

Model	Shipping Size	Product Size	Sink Width	Drain Area	Sink Bowls	Boards	Weight
SS1821-0	24" W x 27" D x 27" H	26.5"D x 23"W x 43.75"H	18"	Corner	1	None	58 lbs
SS1821-L	45" W x 27" D x 27" H	26.5"D x 38.5"W x 43.75"H	18"	Corner	1	Left	68 lbs
SS1821-R	45" W x 27" D x 27" H	26.5"D x 38.5"W x 43.75"H	18"	Corner	1	Right	68 lbs
SS1821-RL	66" W x 27" D x 27" H	26.5"D x 54"W x 43.75"H	18"	Corner	1	Both	79 lbs
DS1821-0	42" W x 27" D x 27" H	26.5"D x 41"W x 43.75"H	18"	Corner	2	None	83 lbs
DS1821-L	63" W x 27" D x 27" H	26.5"D x 56.5"W x 43.75"H	18"	Corner	2	Left	94 lbs
DS1821-R	63" W x 27" D x 27" H	26.5"D x 56.5"W x 43.75"H	18"	Corner	2	Right	94 lbs
DS1821-RL	84" W x 27" D x 27" H	26.5"D x 84"W x 43.75"H	18"	Corner	2	Both	106 lbs
TS1821-0	59" W x 27" D x 27" H	26.5"D x 59"W x 43.75"H	18"	Corner	3	None	110 lbs
TS1821-L	81" W x 27" D x 27" H	26.5"D x 74.5"W x 43.75"H	18"	Corner	3	Left	121 lbs
TS1821-R	81" W x 27" D x 27" H	26.5"D x 74.5"W x 43.75"H	18"	Corner	3	Right	121 lbs
TS1821-RL	103" W x 27" D x 27" H	26.5"D x 102"W x 43.75"H	18"	Corner	3	Both	133 lbs



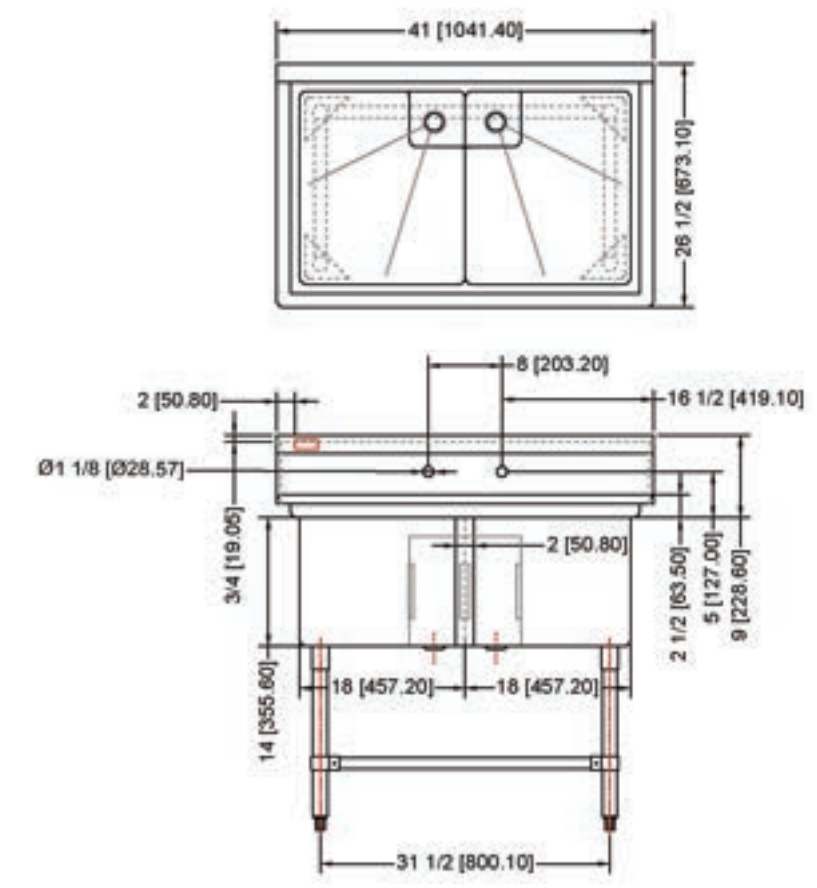
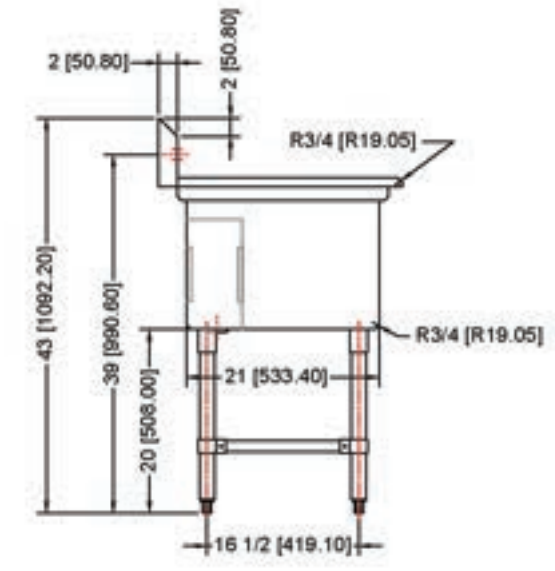
**DS1821-0**  
Technical Drawing



**Stainless Steel  
Compartment Sinks**

**DS1821-0**

Size:	26.5"D x 41"W x 43"H
Drain Location:	Corner
No. of Bowls:	Two
Drainboards:	None
Bowl Size:	18"
Weight:	83 lbs
Shipping Size:	42" W x 27" D x 27" H



21" Two Compartment Sink No Drainboard

**Features**



- ✓ Premium 18 Gauge Type 304 stainless steel for durability.
- ✓ Stamped drain boards and bottoms for optimal water flow.
- ✓ 14" deep bowls with center or corner drain options.
- ✓ Pre-cut 8" center holes for wall mount faucets.
- ✓ Corner drains with 1 7/8" holes and a 12" overflow pipe, including a drain basket.
- ✓ 36" tall from floor to rim, 43" to top of backsplash.
- ✓ Single piece with 5/8" radius corners for easy cleaning.
- ✓ Polished welded joints for a sleek appearance.
- ✓ Gussets attached to reinforced plate for strength.
- ✓ U shape leg braces included for maximum support.
- ✓ Entirely TIG welded for superior strength and finish.

Model	Shipping Size	Product Size	Sink Width	Drain Area	Sink Bowls	Boards	Weight
SS1821-0	24" W x 27" D x 27" H	26.5"D x 23"W x 43.75"H	18"	Corner	1	None	58 lbs
SS1821-L	45" W x 27" D x 27" H	26.5"D x 38.5"W x 43.75"H	18"	Corner	1	Left	68 lbs
SS1821-R	45" W x 27" D x 27" H	26.5"D x 38.5"W x 43.75"H	18"	Corner	1	Right	68 lbs
SS1821-RL	66" W x 27" D x 27" H	26.5"D x 54"W x 43.75"H	18"	Corner	1	Both	79 lbs
DS1821-0	42" W x 27" D x 27" H	26.5"D x 41"W x 43.75"H	18"	Corner	2	None	83 lbs
DS1821-L	63" W x 27" D x 27" H	26.5"D x 56.5"W x 43.75"H	18"	Corner	2	Left	94 lbs
DS1821-R	63" W x 27" D x 27" H	26.5"D x 56.5"W x 43.75"H	18"	Corner	2	Right	94 lbs
DS1821-RL	84" W x 27" D x 27" H	26.5"D x 84"W x 43.75"H	18"	Corner	2	Both	106 lbs
TS1821-0	59" W x 27" D x 27" H	26.5"D x 59"W x 43.75"H	18"	Corner	3	None	110 lbs
TS1821-L	81" W x 27" D x 27" H	26.5"D x 74.5"W x 43.75"H	18"	Corner	3	Left	121 lbs
TS1821-R	81" W x 27" D x 27" H	26.5"D x 74.5"W x 43.75"H	18"	Corner	3	Right	121 lbs
TS1821-RL	103" W x 27" D x 27" H	26.5"D x 102"W x 43.75"H	18"	Corner	3	Both	133 lbs

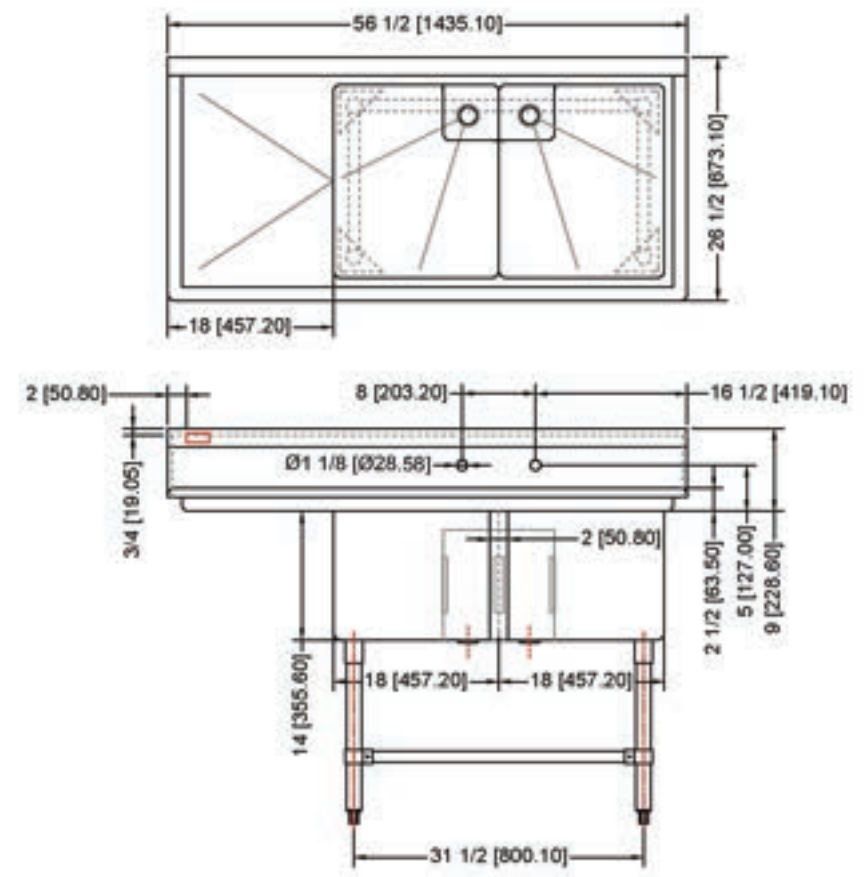
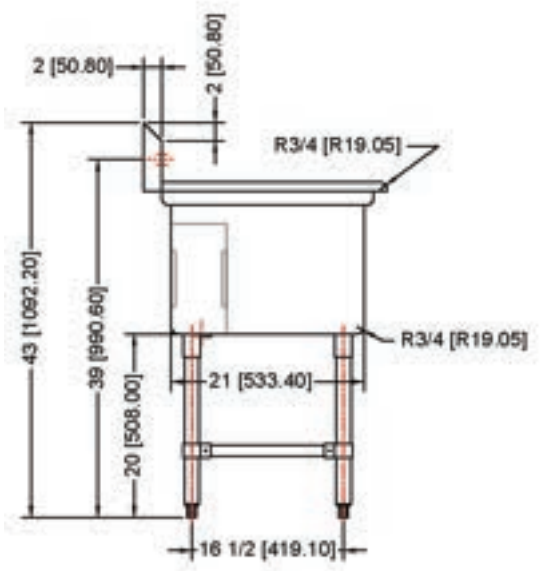
**DS1821-L**  
Technical Drawing



**Stainless Steel  
Compartment Sinks**

**DS1821-L**

Size:	26.5"D x 56.5"W x 43"H
Drain Location:	Corner
No. of Bowls:	Two
Drainboards:	Left
Bowl Size:	18"
Weight:	94 lbs
Shipping Size:	63" W x 27" D x 27" H



21" Two Compartment Sink Left Drainboard

**Features**



- ✓ Premium 18 Gauge Type 304 stainless steel for durability.
- ✓ Stamped drain boards and bottoms for optimal water flow.
- ✓ 14" deep bowls with center or corner drain options.
- ✓ Pre-cut 8" center holes for wall mount faucets.
- ✓ Corner drains with 1 7/8" holes and a 12" overflow pipe, including a drain basket.
- ✓ 36" tall from floor to rim, 43" to top of backsplash.
- ✓ Single piece with 5/8" radius corners for easy cleaning.
- ✓ Polished welded joints for a sleek appearance.
- ✓ Gussets attached to reinforced plate for strength.
- ✓ U shape leg braces included for maximum support.
- ✓ Entirely TIG welded for superior strength and finish.

Model	Shipping Size	Product Size	Sink Width	Drain Area	Sink Bowls	Boards	Weight
SS1821-0	24" W x 27" D x 27" H	26.5"D x 23"W x 43.75"H	18"	Corner	1	None	58 lbs
SS1821-L	45" W x 27" D x 27" H	26.5"D x 38.5"W x 43.75"H	18"	Corner	1	Left	68 lbs
SS1821-R	45" W x 27" D x 27" H	26.5"D x 38.5"W x 43.75"H	18"	Corner	1	Right	68 lbs
SS1821-RL	66" W x 27" D x 27" H	26.5"D x 54"W x 43.75"H	18"	Corner	1	Both	79 lbs
DS1821-0	42" W x 27" D x 27" H	26.5"D x 41"W x 43.75"H	18"	Corner	2	None	83 lbs
DS1821-L	63" W x 27" D x 27" H	26.5"D x 56.5"W x 43.75"H	18"	Corner	2	Left	94 lbs
DS1821-R	63" W x 27" D x 27" H	26.5"D x 56.5"W x 43.75"H	18"	Corner	2	Right	94 lbs
DS1821-RL	84" W x 27" D x 27" H	26.5"D x 84"W x 43.75"H	18"	Corner	2	Both	106 lbs
TS1821-0	59" W x 27" D x 27" H	26.5"D x 59"W x 43.75"H	18"	Corner	3	None	110 lbs
TS1821-L	81" W x 27" D x 27" H	26.5"D x 74.5"W x 43.75"H	18"	Corner	3	Left	121 lbs
TS1821-R	81" W x 27" D x 27" H	26.5"D x 74.5"W x 43.75"H	18"	Corner	3	Right	121 lbs
TS1821-RL	103" W x 27" D x 27" H	26.5"D x 102"W x 43.75"H	18"	Corner	3	Both	133 lbs



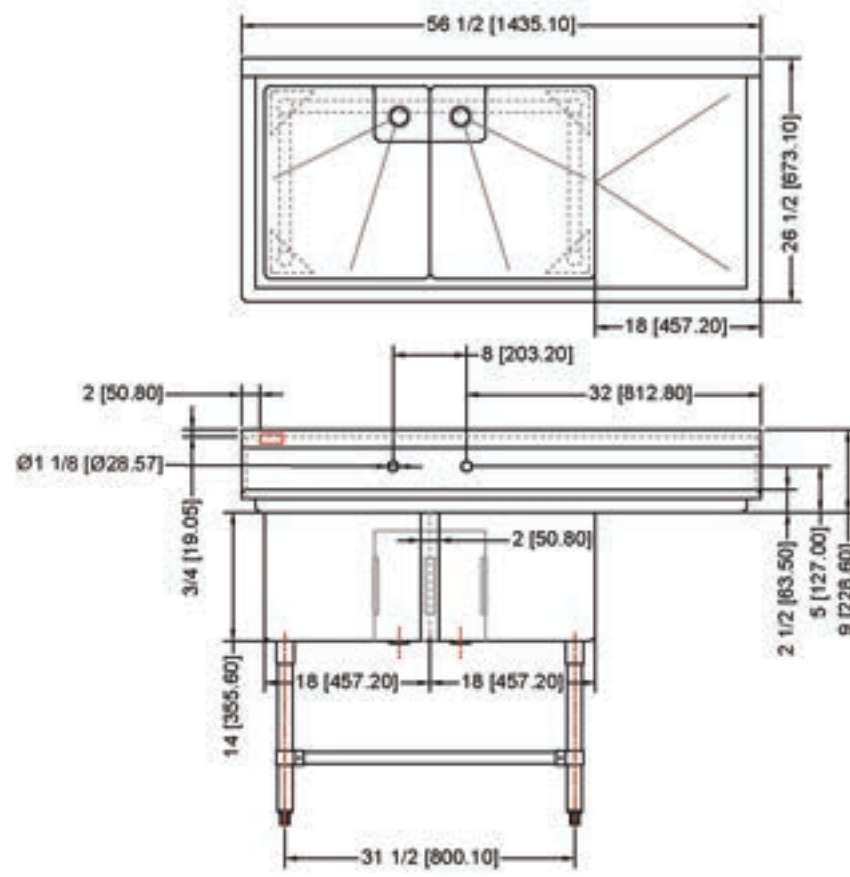
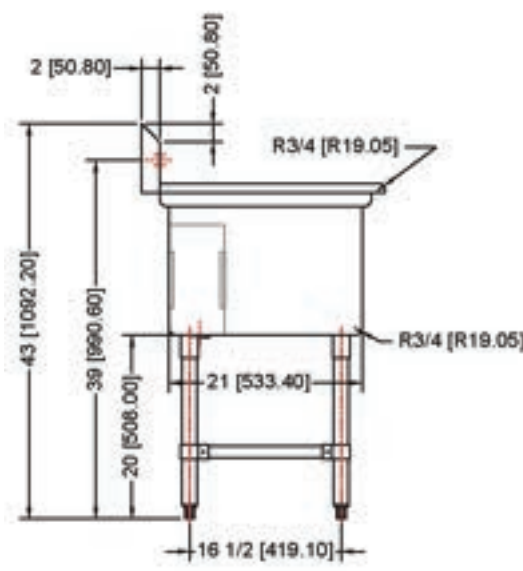
**DS1821-R**  
Technical Drawing



**Stainless Steel  
Compartment Sinks**

**DS1821-R**

Size:	26.5"D x 56.5"W x 43"H
Drain Location:	Corner
No. of Bowls:	Two
Drainboards:	Right
Bowl Size:	18"
Weight:	94 lbs
Shipping Size:	63" W x 27" D x 27" H



21" Two Compartment Sink Right Drainboard

**Features**



- ✓ Premium 18 Gauge Type 304 stainless steel for durability.
- ✓ Stamped drain boards and bottoms for optimal water flow.
- ✓ 14" deep bowls with center or corner drain options.
- ✓ Pre-cut 8" center holes for wall mount faucets.
- ✓ Corner drains with 1 7/8" holes and a 12" overflow pipe, including a drain basket.
- ✓ 36" tall from floor to rim, 43" to top of backsplash.
- ✓ Single piece with 5/8" radius corners for easy cleaning.
- ✓ Polished welded joints for a sleek appearance.
- ✓ Gussets attached to reinforced plate for strength.
- ✓ U shape leg braces included for maximum support.
- ✓ Entirely TIG welded for superior strength and finish.

Model	Shipping Size	Product Size	Sink Width	Drain Area	Sink Bowls	Boards	Weight
SS1821-0	24" W x 27" D x 27" H	26.5"D x 23"W x 43.75"H	18"	Corner	1	None	58 lbs
SS1821-L	45" W x 27" D x 27" H	26.5"D x 38.5"W x 43.75"H	18"	Corner	1	Left	68 lbs
SS1821-R	45" W x 27" D x 27" H	26.5"D x 38.5"W x 43.75"H	18"	Corner	1	Right	68 lbs
SS1821-RL	66" W x 27" D x 27" H	26.5"D x 54"W x 43.75"H	18"	Corner	1	Both	79 lbs
DS1821-0	42" W x 27" D x 27" H	26.5"D x 41"W x 43.75"H	18"	Corner	2	None	83 lbs
DS1821-L	63" W x 27" D x 27" H	26.5"D x 56.5"W x 43.75"H	18"	Corner	2	Left	94 lbs
DS1821-R	63" W x 27" D x 27" H	26.5"D x 56.5"W x 43.75"H	18"	Corner	2	Right	94 lbs
DS1821-RL	84" W x 27" D x 27" H	26.5"D x 84"W x 43.75"H	18"	Corner	2	Both	106 lbs
TS1821-0	59" W x 27" D x 27" H	26.5"D x 59"W x 43.75"H	18"	Corner	3	None	110 lbs
TS1821-L	81" W x 27" D x 27" H	26.5"D x 74.5"W x 43.75"H	18"	Corner	3	Left	121 lbs
TS1821-R	81" W x 27" D x 27" H	26.5"D x 74.5"W x 43.75"H	18"	Corner	3	Right	121 lbs
TS1821-RL	103" W x 27" D x 27" H	26.5"D x 102"W x 43.75"H	18"	Corner	3	Both	133 lbs



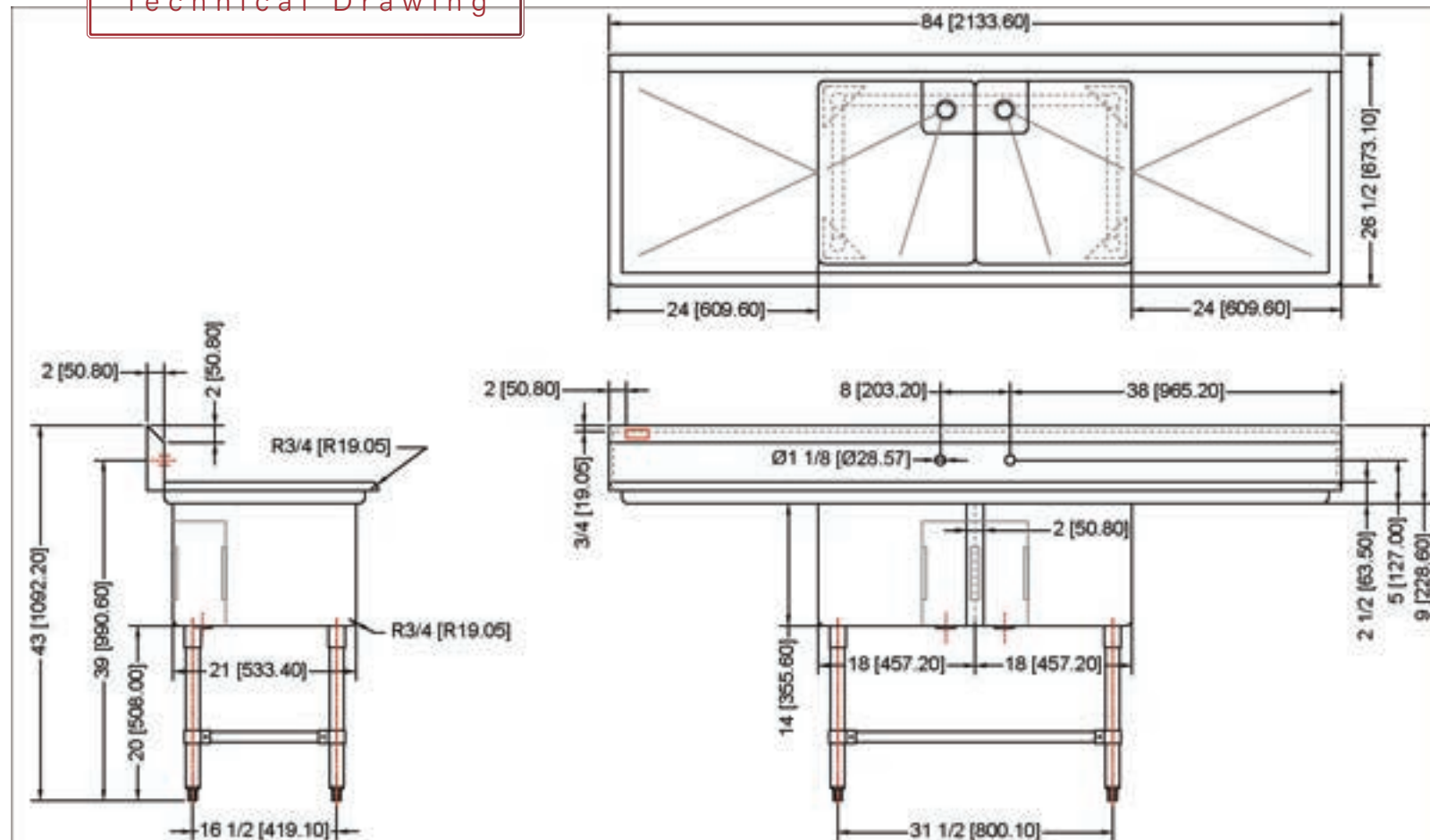


## Stainless Steel Compartment Sinks

### DS1821-RL

Size:	26.5"D x 84"W x 43"H
Drain Location:	Corner
No. of Bowls:	Two
Drainboards:	Both
Bowl Size:	18"
Weight:	106 lbs
Shipping Size:	84" W x 27" D x 27" H

### DS1821-RL Technical Drawing



### 21" Two Compartment Sink Both Drainboards

### Features



- ✓ Premium 18 Gauge Type 304 stainless steel for durability.
- ✓ Stamped drain boards and bottoms for optimal water flow.
- ✓ 14" deep bowls with center or corner drain options.
- ✓ Pre-cut 8" center holes for wall mount faucets.
- ✓ Corner drains with 1 7/8" holes and a 12" overflow pipe, including a drain basket.
- ✓ 36" tall from floor to rim, 43" to top of backsplash.
- ✓ Single piece with 5/8" radius corners for easy cleaning.
- ✓ Polished welded joints for a sleek appearance.
- ✓ Gussets attached to reinforced plate for strength.
- ✓ U shape leg braces included for maximum support.
- ✓ Entirely TIG welded for superior strength and finish.

Model	Shipping Size	Product Size	Sink Width	Drain Area	Sink Bowls	Boards	Weight
SS1821-0	24" W x 27" D x 27" H	26.5"D x 23"W x 43.75"H	18"	Corner	1	None	58 lbs
SS1821-L	45" W x 27" D x 27" H	26.5"D x 38.5"W x 43.75"H	18"	Corner	1	Left	68 lbs
SS1821-R	45" W x 27" D x 27" H	26.5"D x 38.5"W x 43.75"H	18"	Corner	1	Right	68 lbs
SS1821-RL	66" W x 27" D x 27" H	26.5"D x 54"W x 43.75"H	18"	Corner	1	Both	79 lbs
DS1821-0	42" W x 27" D x 27" H	26.5"D x 41"W x 43.75"H	18"	Corner	2	None	83 lbs
DS1821-L	63" W x 27" D x 27" H	26.5"D x 56.5"W x 43.75"H	18"	Corner	2	Left	94 lbs
DS1821-R	63" W x 27" D x 27" H	26.5"D x 56.5"W x 43.75"H	18"	Corner	2	Right	94 lbs
DS1821-RL	84" W x 27" D x 27" H	26.5"D x 84"W x 43.75"H	18"	Corner	2	Both	106 lbs
TS1821-0	59" W x 27" D x 27" H	26.5"D x 59"W x 43.75"H	18"	Corner	3	None	110 lbs
TS1821-L	81" W x 27" D x 27" H	26.5"D x 74.5"W x 43.75"H	18"	Corner	3	Left	121 lbs
TS1821-R	81" W x 27" D x 27" H	26.5"D x 74.5"W x 43.75"H	18"	Corner	3	Right	121 lbs
TS1821-RL	103" W x 27" D x 27" H	26.5"D x 102"W x 43.75"H	18"	Corner	3	Both	133 lbs



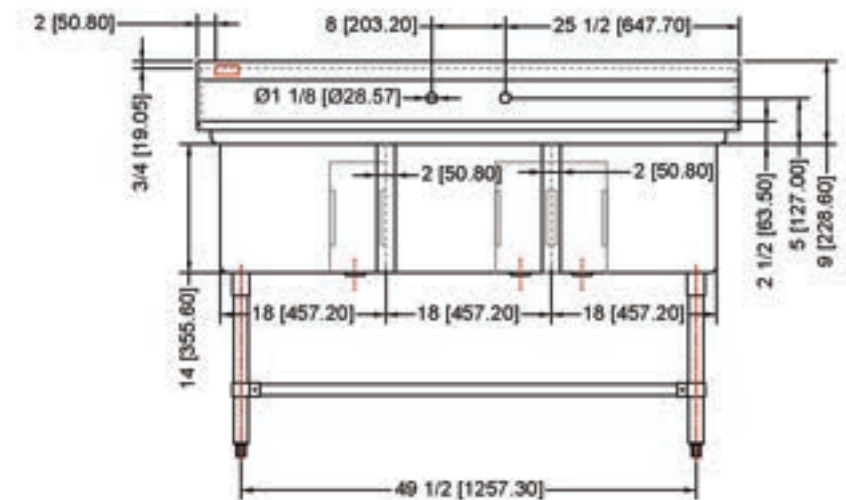
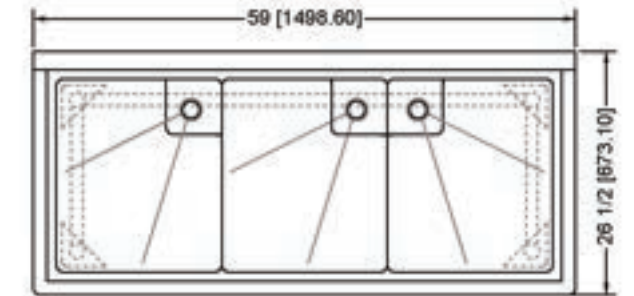
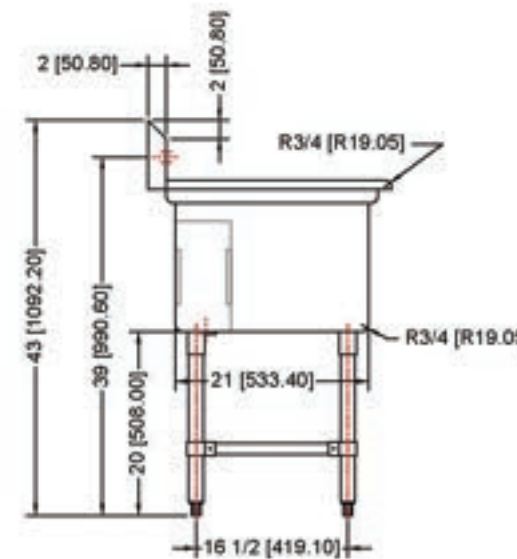
## Stainless Steel Compartment Sinks

### TS1821-0

Size:	26.5"D x 59"W x 43"H
Drain Location:	Corner
No. of Bowls:	Three
Drainboards:	None
Bowl Size:	18"
Weight:	110 lbs
Shipping Size:	59" W x 27" D x 27" H

### TS1821-0

#### Technical Drawing



## 21" Three Compartment Sink No Drainboard

### Features



- Premium 18 Gauge Type 304 stainless steel for durability.
- Stamped drain boards and bottoms for optimal water flow.
- 14" deep bowls with center or corner drain options.
- Pre-cut 8" center holes for wall mount faucets.
- Corner drains with 1 7/8" holes and a 12" overflow pipe, including a drain basket.
- 36" tall from floor to rim, 43" to top of backsplash.
- Single piece with 5/8" radius corners for easy cleaning.
- Polished welded joints for a sleek appearance.
- Gussets attached to reinforced plate for strength.
- U shape leg braces included for maximum support.
- Entirely TIG welded for superior strength and finish.

Model	Shipping Size	Product Size	Sink Width	Drain Area	Sink Bowls	Boards	Weight
SS1821-0	24" W x 27" D x 27" H	26.5"D x 23"W x 43.75"H	18"	Corner	1	None	58 lbs
SS1821-L	45" W x 27" D x 27" H	26.5"D x 38.5"W x 43.75"H	18"	Corner	1	Left	68 lbs
SS1821-R	45" W x 27" D x 27" H	26.5"D x 38.5"W x 43.75"H	18"	Corner	1	Right	68 lbs
SS1821-RL	66" W x 27" D x 27" H	26.5"D x 54"W x 43.75"H	18"	Corner	1	Both	79 lbs
DS1821-0	42" W x 27" D x 27" H	26.5"D x 41"W x 43.75"H	18"	Corner	2	None	83 lbs
DS1821-L	63" W x 27" D x 27" H	26.5"D x 56.5"W x 43.75"H	18"	Corner	2	Left	94 lbs
DS1821-R	63" W x 27" D x 27" H	26.5"D x 56.5"W x 43.75"H	18"	Corner	2	Right	94 lbs
DS1821-RL	84" W x 27" D x 27" H	26.5"D x 84"W x 43.75"H	18"	Corner	2	Both	106 lbs
TS1821-0	59" W x 27" D x 27" H	26.5"D x 59"W x 43.75"H	18"	Corner	3	None	110 lbs
TS1821-L	81" W x 27" D x 27" H	26.5"D x 74.5"W x 43.75"H	18"	Corner	3	Left	121 lbs
TS1821-R	81" W x 27" D x 27" H	26.5"D x 74.5"W x 43.75"H	18"	Corner	3	Right	121 lbs
TS1821-RL	103" W x 27" D x 27" H	26.5"D x 102"W x 43.75"H	18"	Corner	3	Both	133 lbs

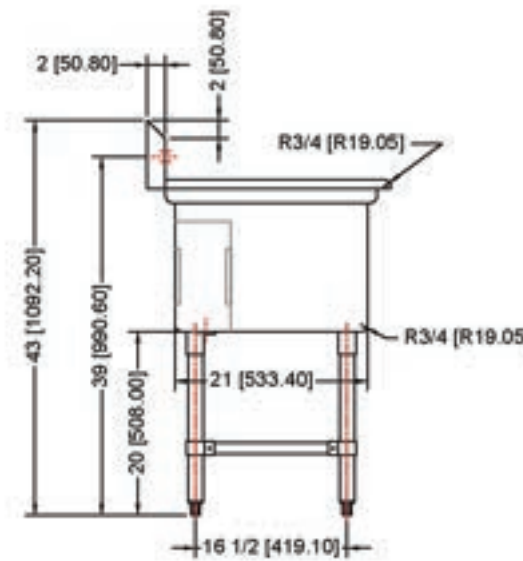
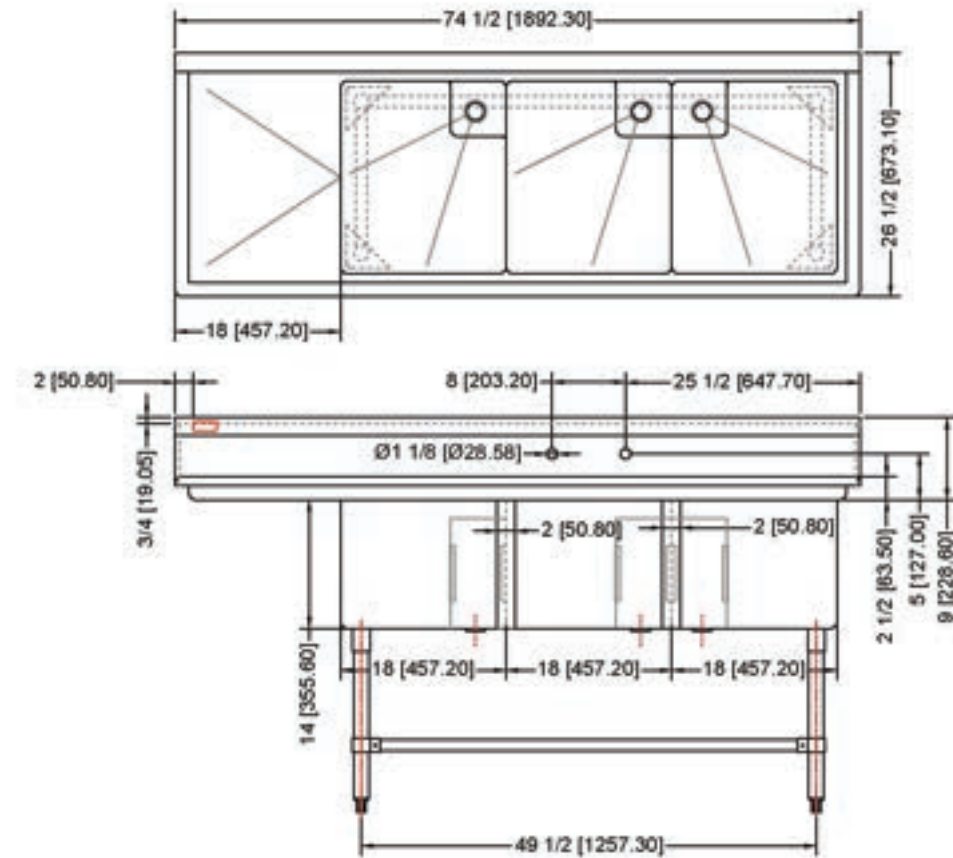


**TS1821-L**  
Technical Drawing

**Stainless Steel  
Compartment Sinks**

**TS1821-L**

Size:	26.5"D x 74.5"W x 43"H
Drain Location:	Corner
No. of Bowls:	Three
Drainboards:	Left
Bowl Size:	18"
Weight:	121 lbs
Shipping Size:	81" W x 27" D x 27" H



21" Three Compartment Sink Left Drainboard

**Features**



- ✓ Premium 18 Gauge Type 304 stainless steel for durability.
- ✓ Stamped drain boards and bottoms for optimal water flow.
- ✓ 14" deep bowls with center or corner drain options.
- ✓ Pre-cut 8" center holes for wall mount faucets.
- ✓ Corner drains with 1 7/8" holes and a 12" overflow pipe, including a drain basket.
- ✓ 36" tall from floor to rim, 43" to top of backsplash.
- ✓ Single piece with 5/8" radius corners for easy cleaning.
- ✓ Polished welded joints for a sleek appearance.
- ✓ Gussets attached to reinforced plate for strength.
- ✓ U shape leg braces included for maximum support.
- ✓ Entirely TIG welded for superior strength and finish.

Model	Shipping Size	Product Size	Sink Width	Drain Area	Sink Bowls	Boards	Weight
SS1821-0	24" W x 27" D x 27" H	26.5"D x 23"W x 43.75"H	18"	Corner	1	None	58 lbs
SS1821-L	45" W x 27" D x 27" H	26.5"D x 38.5"W x 43.75"H	18"	Corner	1	Left	68 lbs
SS1821-R	45" W x 27" D x 27" H	26.5"D x 38.5"W x 43.75"H	18"	Corner	1	Right	68 lbs
SS1821-RL	66" W x 27" D x 27" H	26.5"D x 54"W x 43.75"H	18"	Corner	1	Both	79 lbs
DS1821-0	42" W x 27" D x 27" H	26.5"D x 41"W x 43.75"H	18"	Corner	2	None	83 lbs
DS1821-L	63" W x 27" D x 27" H	26.5"D x 56.5"W x 43.75"H	18"	Corner	2	Left	94 lbs
DS1821-R	63" W x 27" D x 27" H	26.5"D x 56.5"W x 43.75"H	18"	Corner	2	Right	94 lbs
DS1821-RL	84" W x 27" D x 27" H	26.5"D x 84"W x 43.75"H	18"	Corner	2	Both	106 lbs
TS1821-0	59" W x 27" D x 27" H	26.5"D x 59"W x 43.75"H	18"	Corner	3	None	110 lbs
TS1821-L	81" W x 27" D x 27" H	26.5"D x 74.5"W x 43.75"H	18"	Corner	3	Left	121 lbs
TS1821-R	81" W x 27" D x 27" H	26.5"D x 74.5"W x 43.75"H	18"	Corner	3	Right	121 lbs
TS1821-RL	103" W x 27" D x 27" H	26.5"D x 102"W x 43.75"H	18"	Corner	3	Both	133 lbs



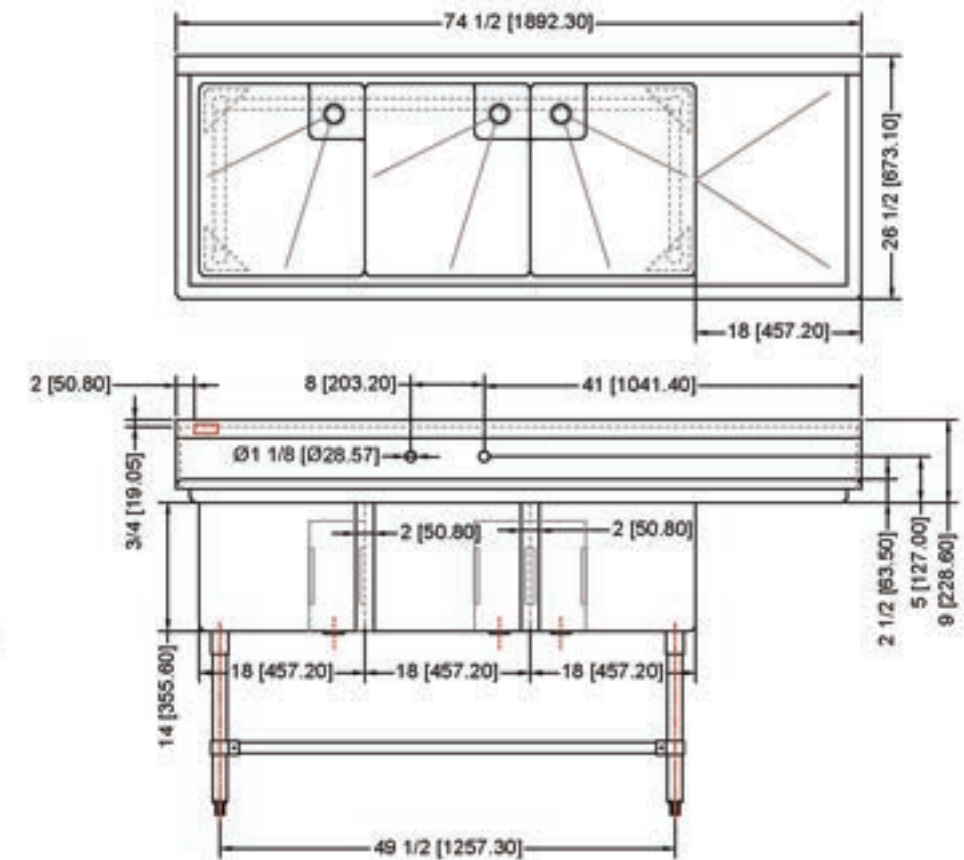
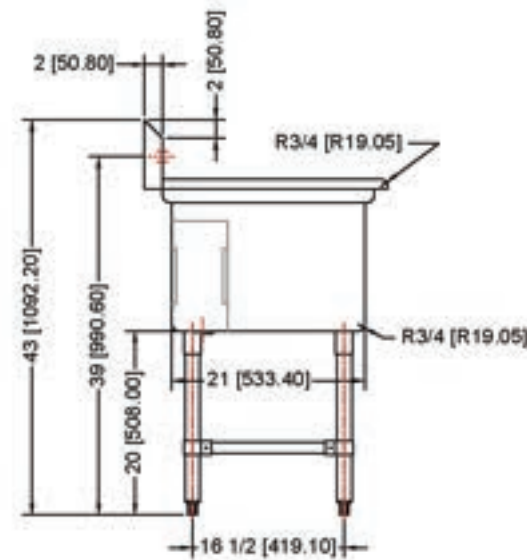
**TS1821-R**  
Technical Drawing

**Stainless Steel  
Compartment Sinks**

**TS1821-R**



Size:	26.5"D x 74.5"W x 43"H
Drain Location:	Corner
No. of Bowls:	Three
Drainboards:	Right
Bowl Size:	18"
Weight:	121 lbs
Shipping Size:	81" W x 27" D x 27" H



21" Three Compartment Sink Right Drainboard

**Features**



- Premium 18 Gauge Type 304 stainless steel for durability.
- Stamped drain boards and bottoms for optimal water flow.
- 14" deep bowls with center or corner drain options.
- Pre-cut 8" center holes for wall mount faucets.
- Corner drains with 1 7/8" holes and a 12" overflow pipe, including a drain basket.
- 36" tall from floor to rim, 43" to top of backsplash.
- Single piece with 5/8" radius corners for easy cleaning.
- Polished welded joints for a sleek appearance.
- Gussets attached to reinforced plate for strength.
- U shape leg braces included for maximum support.
- Entirely TIG welded for superior strength and finish.

Model	Shipping Size	Product Size	Sink Width	Drain Area	Sink Bowls	Boards	Weight
SS1821-0	24" W x 27" D x 27" H	26.5"D x 23"W x 43.75"H	18"	Corner	1	None	58 lbs
SS1821-L	45" W x 27" D x 27" H	26.5"D x 38.5"W x 43.75"H	18"	Corner	1	Left	68 lbs
SS1821-R	45" W x 27" D x 27" H	26.5"D x 38.5"W x 43.75"H	18"	Corner	1	Right	68 lbs
SS1821-RL	66" W x 27" D x 27" H	26.5"D x 54"W x 43.75"H	18"	Corner	1	Both	79 lbs
DS1821-0	42" W x 27" D x 27" H	26.5"D x 41"W x 43.75"H	18"	Corner	2	None	83 lbs
DS1821-L	63" W x 27" D x 27" H	26.5"D x 56.5"W x 43.75"H	18"	Corner	2	Left	94 lbs
DS1821-R	63" W x 27" D x 27" H	26.5"D x 56.5"W x 43.75"H	18"	Corner	2	Right	94 lbs
DS1821-RL	84" W x 27" D x 27" H	26.5"D x 84"W x 43.75"H	18"	Corner	2	Both	106 lbs
TS1821-0	59" W x 27" D x 27" H	26.5"D x 59"W x 43.75"H	18"	Corner	3	None	110 lbs
TS1821-L	81" W x 27" D x 27" H	26.5"D x 74.5"W x 43.75"H	18"	Corner	3	Left	121 lbs
TS1821-R	81" W x 27" D x 27" H	26.5"D x 74.5"W x 43.75"H	18"	Corner	3	Right	121 lbs
TS1821-RL	103" W x 27" D x 27" H	26.5"D x 102"W x 43.75"H	18"	Corner	3	Both	133 lbs

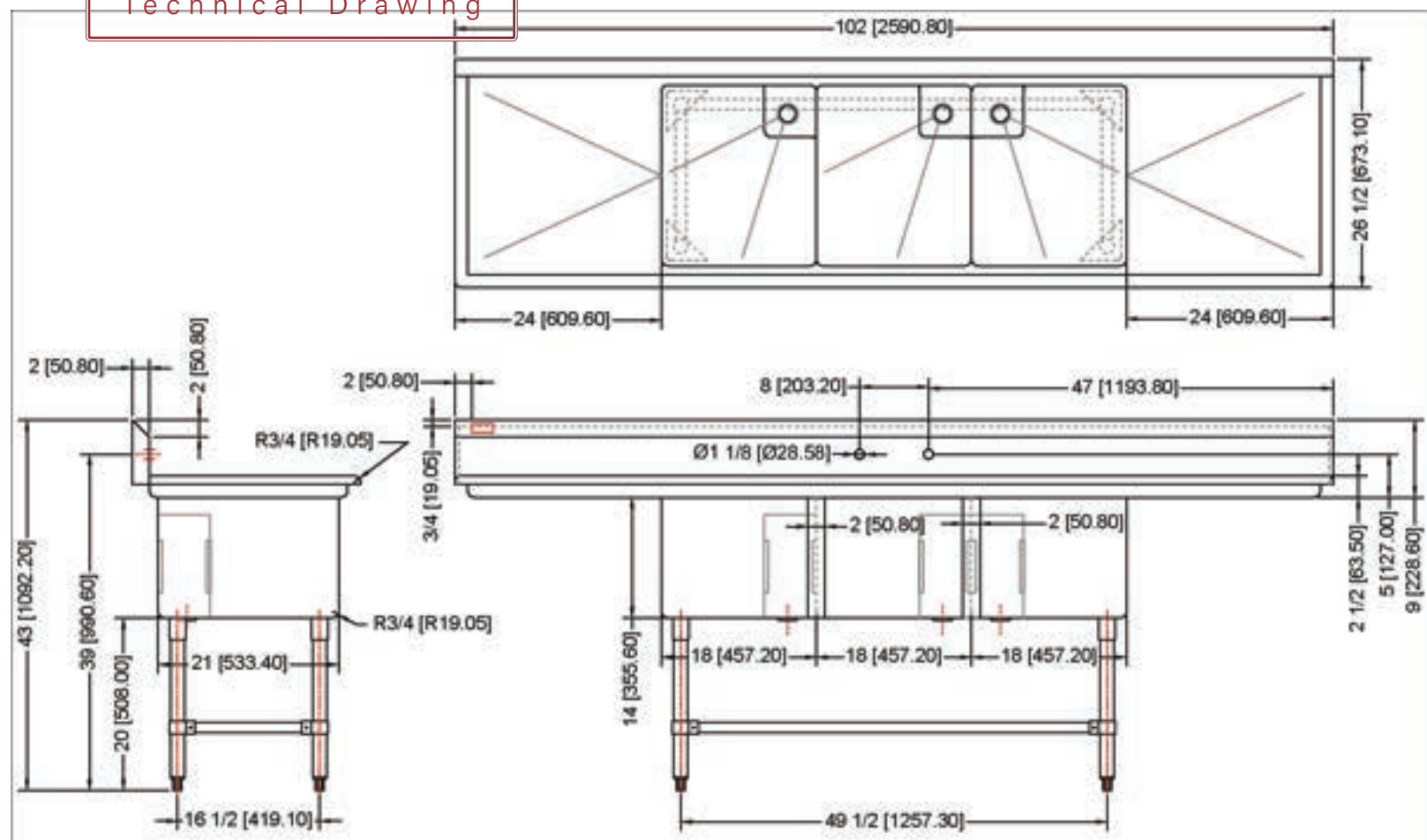


## Stainless Steel Compartment Sinks

### TS1821-RL

Size:	26.5"D x 102"W x 43"H
Drain Location:	Corner
No. of Bowls:	Three
Drainboards:	Both
Bowl Size:	18"
Weight:	133 lbs
Shipping Size:	103" W x 27" D x 27" H

### TS1821-RL Technical Drawing



## 21" Three Compartment Sink Both Drainboards

### Features



- Premium 18 Gauge Type 304 stainless steel for durability.
- Stamped drain boards and bottoms for optimal water flow.
- 14" deep bowls with center or corner drain options.
- Pre-cut 8" center holes for wall mount faucets.
- Corner drains with 1 7/8" holes and a 12" overflow pipe, including a drain basket.
- 36" tall from floor to rim, 43" to top of backsplash.
- Single piece with 5/8" radius corners for easy cleaning.
- Polished welded joints for a sleek appearance.
- Gussets attached to reinforced plate for strength.
- U shape leg braces included for maximum support.
- Entirely TIG welded for superior strength and finish.

Model	Shipping Size	Product Size	Sink Width	Drain Area	Sink Bowls	Boards	Weight
SS1821-0	24" W x 27" D x 27" H	26.5"D x 23"W x 43.75"H	18"	Corner	1	None	58 lbs
SS1821-L	45" W x 27" D x 27" H	26.5"D x 38.5"W x 43.75"H	18"	Corner	1	Left	68 lbs
SS1821-R	45" W x 27" D x 27" H	26.5"D x 38.5"W x 43.75"H	18"	Corner	1	Right	68 lbs
SS1821-RL	66" W x 27" D x 27" H	26.5"D x 54"W x 43.75"H	18"	Corner	1	Both	79 lbs
DS1821-0	42" W x 27" D x 27" H	26.5"D x 41"W x 43.75"H	18"	Corner	2	None	83 lbs
DS1821-L	63" W x 27" D x 27" H	26.5"D x 56.5"W x 43.75"H	18"	Corner	2	Left	94 lbs
DS1821-R	63" W x 27" D x 27" H	26.5"D x 56.5"W x 43.75"H	18"	Corner	2	Right	94 lbs
DS1821-RL	84" W x 27" D x 27" H	26.5"D x 84"W x 43.75"H	18"	Corner	2	Both	106 lbs
TS1821-0	59" W x 27" D x 27" H	26.5"D x 59"W x 43.75"H	18"	Corner	3	None	110 lbs
TS1821-L	81" W x 27" D x 27" H	26.5"D x 74.5"W x 43.75"H	18"	Corner	3	Left	121 lbs
TS1821-R	81" W x 27" D x 27" H	26.5"D x 74.5"W x 43.75"H	18"	Corner	3	Right	121 lbs
TS1821-RL	103" W x 27" D x 27" H	26.5"D x 102"W x 43.75"H	18"	Corner	3	Both	133 lbs





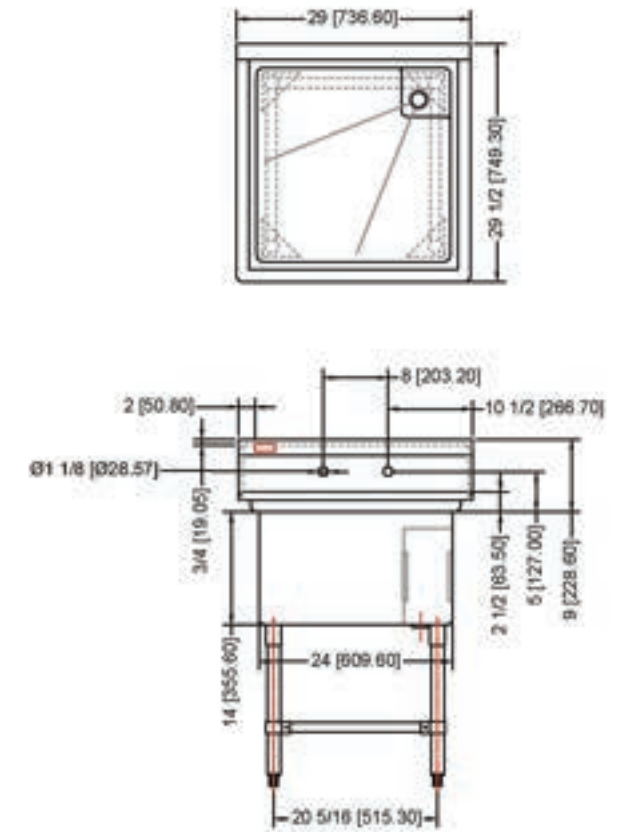
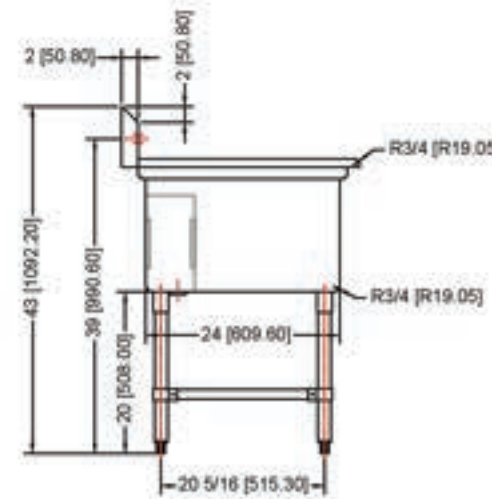
## Stainless Steel Compartment Sinks

### SS2424-0

Size:	29.5"D x 28"W x 43"H
Drain Location:	Corner
No. of Bowls:	Two
Drainboards:	Right
Bowl Size:	24"
Weight:	62 lbs
Shipping Size:	30" W x 30" D x 30" H

### SS2424-0

#### Technical Drawing



### 24" Single Compartment Sink No Drainboard

#### Features



- ✓ Premium 18 Gauge Type 304 stainless steel for durability.
- ✓ Stamped drain boards and bottoms for optimal water flow.
- ✓ 14" deep bowls with center or corner drain options.
- ✓ Pre-cut 8" center holes for wall mount faucets.
- ✓ Corner drains with 1 7/8" holes and a 12" overflow pipe, including a drain basket.
- ✓ 36" tall from floor to rim, 43" to top of backsplash.
- ✓ Single piece with 5/8" radius corners for easy cleaning.
- ✓ Polished welded joints for a sleek appearance.
- ✓ Gussets attached to reinforced plate for strength.
- ✓ U shape leg braces included for maximum support.
- ✓ Entirely TIG welded for superior strength and finish.

Model	Shipping Size	Product Size	Sink Width	Drain Area	Sink Bowls	Boards	Weight
SS2424-0	30" W x 30" D x 30" H	29.5"D x 28"W x 43.75"H	24"	Corner	1	Right	62 lbs
DS2424-0	55" W x 30" D x 30" H	29.5"D x 53"W x 43.75"H	24"	Corner	2	Both	93 lbs
DS2424-L	76" W x 30" D x 30" H	29.5"D x 74.5"W x 43.75"H	24"	Corner	3	None	106 lbs
DS2424-R	76" W x 30" D x 30" H	29.5"D x 74.5"W x 43.75"H	24"	Corner	3	Left	106 lbs
TS2424-0	79" W x 30" D x 30" H	29.5"D x 77"W x 43.75"H	24"	Corner	3	Right	124 lbs
TS2424-L	100" W x 30" D x 30" H	29.5" D x 98.5" W x 43.75"H	24"	Corner	3	None	137 lbs
TS2424-R	100" W x 30" D x 30" H	29.5" D x 98.5" W x 43.75"H	24"	Corner	3	Left	137 lbs
TS2424-RL	121" W x 30" D x 30" H	29.5" D x 120" W x 43.75"H	24"	Corner	3	Both	153 lbs





## Stainless Steel Compartment Sinks

### DS2424-0

Size:	29.5"D x 53"W x 43"H
Drain Location:	Corner
No. of Bowls:	Two
Drainboards:	Both
Bowl Size:	24"
Weight:	93 lbs
Shipping Size:	55" W x 30" D x 30" H

### 24" Two Compartment Sink No Drainboard

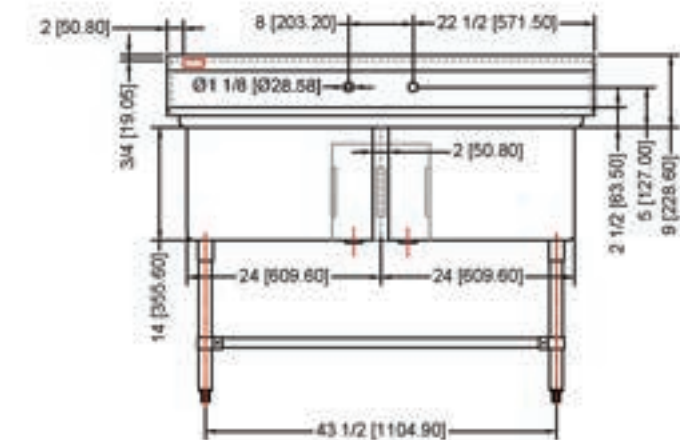
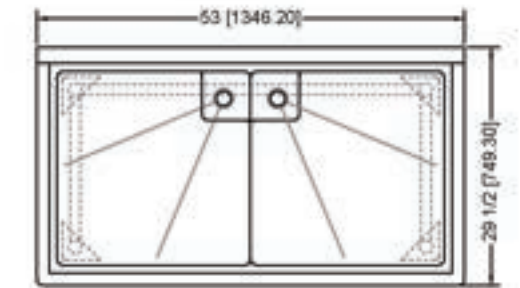
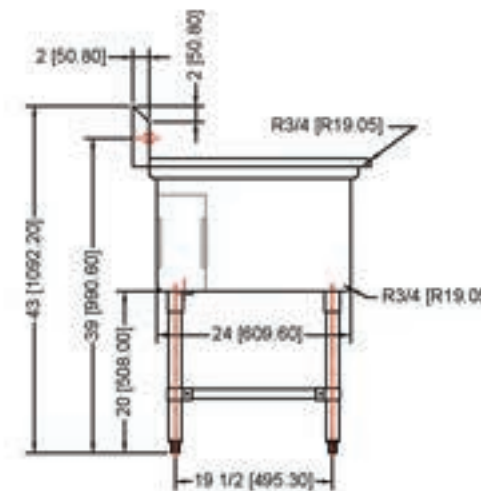
### Features



- Premium 18 Gauge Type 304 stainless steel for durability.
- Stamped drain boards and bottoms for optimal water flow.
- 14" deep bowls with center or corner drain options.
- Pre-cut 8" center holes for wall mount faucets.
- Corner drains with 1 7/8" holes and a 12" overflow pipe, including a drain basket.
- 36" tall from floor to rim, 43" to top of backsplash.
- Single piece with 5/8" radius corners for easy cleaning.
- Polished welded joints for a sleek appearance.
- Gussets attached to reinforced plate for strength.
- U shape leg braces included for maximum support.
- Entirely TIG welded for superior strength and finish.

### DS2424-0

#### Technical Drawing



Model	Shipping Size	Product Size	Sink Width	Drain Area	Sink Bowls	Boards	Weight
SS2424-0	30" W x 30" D x 30" H	29.5"D x 28"W x 43.75"H	24"	Corner	1	Right	62 lbs
DS2424-0	55" W x 30" D x 30" H	29.5"D x 53"W x 43.75"H	24"	Corner	2	Both	93 lbs
DS2424-L	76" W x 30" D x 30" H	29.5"D x 74.5"W x 43.75"H	24"	Corner	3	None	106 lbs
DS2424-R	76" W x 30" D x 30" H	29.5"D x 74.5"W x 43.75"H	24"	Corner	3	Left	106 lbs
TS2424-0	79" W x 30" D x 30" H	29.5"D x 77"W x 43.75"H	24"	Corner	3	Right	124 lbs
TS2424-L	100" W x 30" D x 30" H	29.5" D x 98.5" W x 43.75"H	24"	Corner	3	None	137 lbs
TS2424-R	100" W x 30" D x 30" H	29.5" D x 98.5" W x 43.75"H	24"	Corner	3	Left	137 lbs
TS2424-RL	121" W x 30" D x 30" H	29.5" D x 120" W x 43.75"H	24"	Corner	3	Both	153 lbs



## Stainless Steel Compartment Sinks

### DS2424-L

Size:	29.5"D x 74.5"W x 43"H
Drain Location:	Corner
No. of Bowls:	Three
Drainboards:	None
Bowl Size:	24"
Weight:	106 lbs
Shipping Size:	76" W x 30" D x 30" H

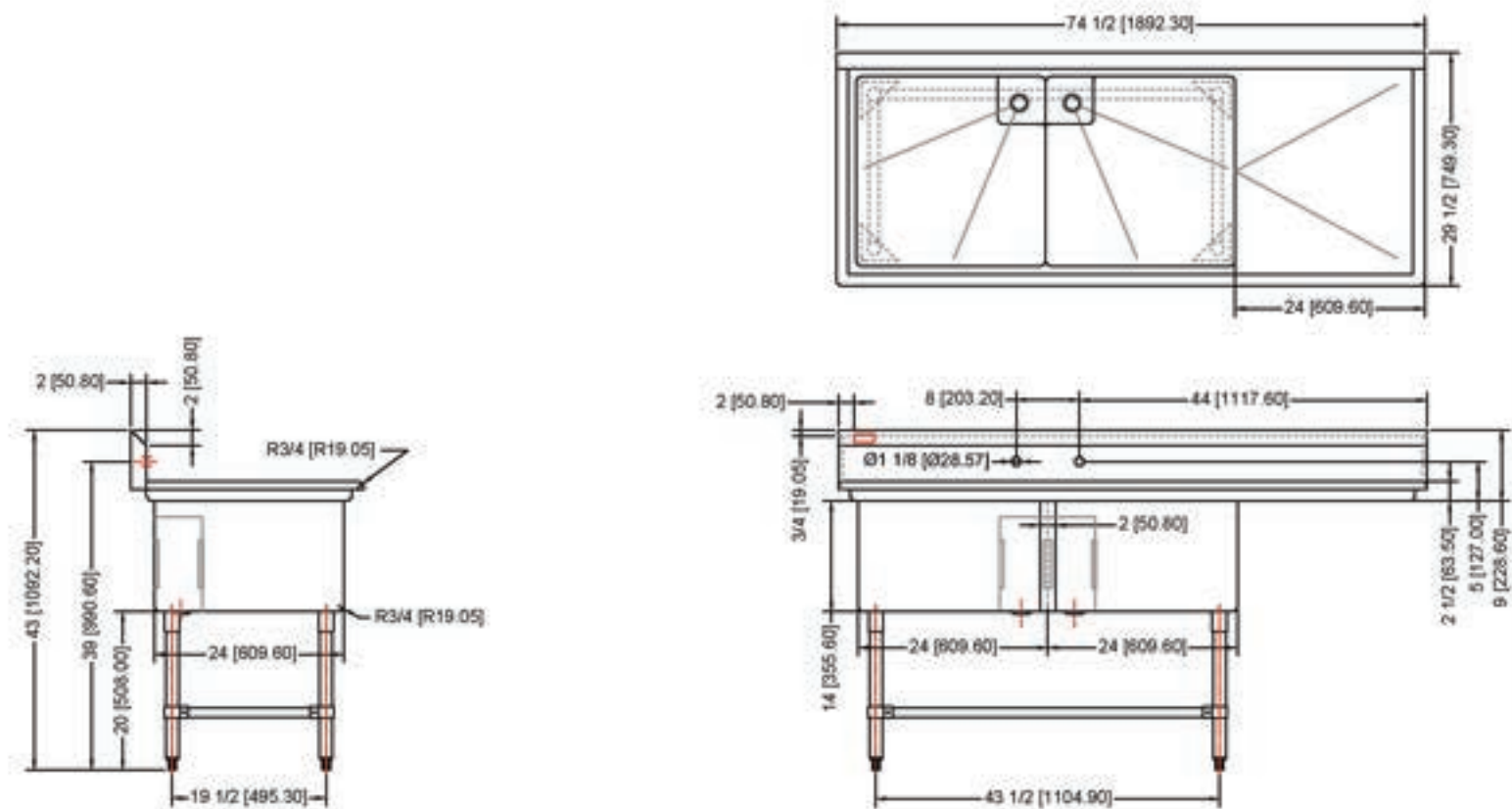
### 24" Two Compartment Sink Left Drainboard

#### Features



- ✓ Premium 18 Gauge Type 304 stainless steel for durability.
- ✓ Stamped drain boards and bottoms for optimal water flow.
- ✓ 14" deep bowls with center or corner drain options.
- ✓ Pre-cut 8" center holes for wall mount faucets.
- ✓ Corner drains with 1 7/8" holes and a 12" overflow pipe, including a drain basket.
- ✓ 36" tall from floor to rim, 43" to top of backsplash.
- ✓ Single piece with 5/8" radius corners for easy cleaning.
- ✓ Polished welded joints for a sleek appearance.
- ✓ Gussets attached to reinforced plate for strength.
- ✓ U shape leg braces included for maximum support.
- ✓ Entirely TIG welded for superior strength and finish.

### DS2424-L Technical Drawing



Model	Shipping Size	Product Size	Sink Width	Drain Area	Sink Bowls	Boards	Weight
SS2424-0	30" W x 30" D x 30" H	29.5"D x 28"W x 43.75"H	24"	Corner	1	Right	62 lbs
DS2424-0	55" W x 30" D x 30" H	29.5"D x 53"W x 43.75"H	24"	Corner	2	Both	93 lbs
DS2424-L	76" W x 30" D x 30" H	29.5"D x 74.5"W x 43.75"H	24"	Corner	3	None	106 lbs
DS2424-R	76" W x 30" D x 30" H	29.5"D x 74.5"W x 43.75"H	24"	Corner	3	Left	106 lbs
TS2424-0	79" W x 30" D x 30" H	29.5"D x 77"W x 43.75"H	24"	Corner	3	Right	124 lbs
TS2424-L	100" W x 30" D x 30" H	29.5" D x 98.5" W x 43.75"H	24"	Corner	3	None	137 lbs
TS2424-R	100" W x 30" D x 30" H	29.5" D x 98.5" W x 43.75"H	24"	Corner	3	Left	137 lbs
TS2424-RL	121" W x 30" D x 30" H	29.5" D x 120" W x 43.75"H	24"	Corner	3	Both	153 lbs



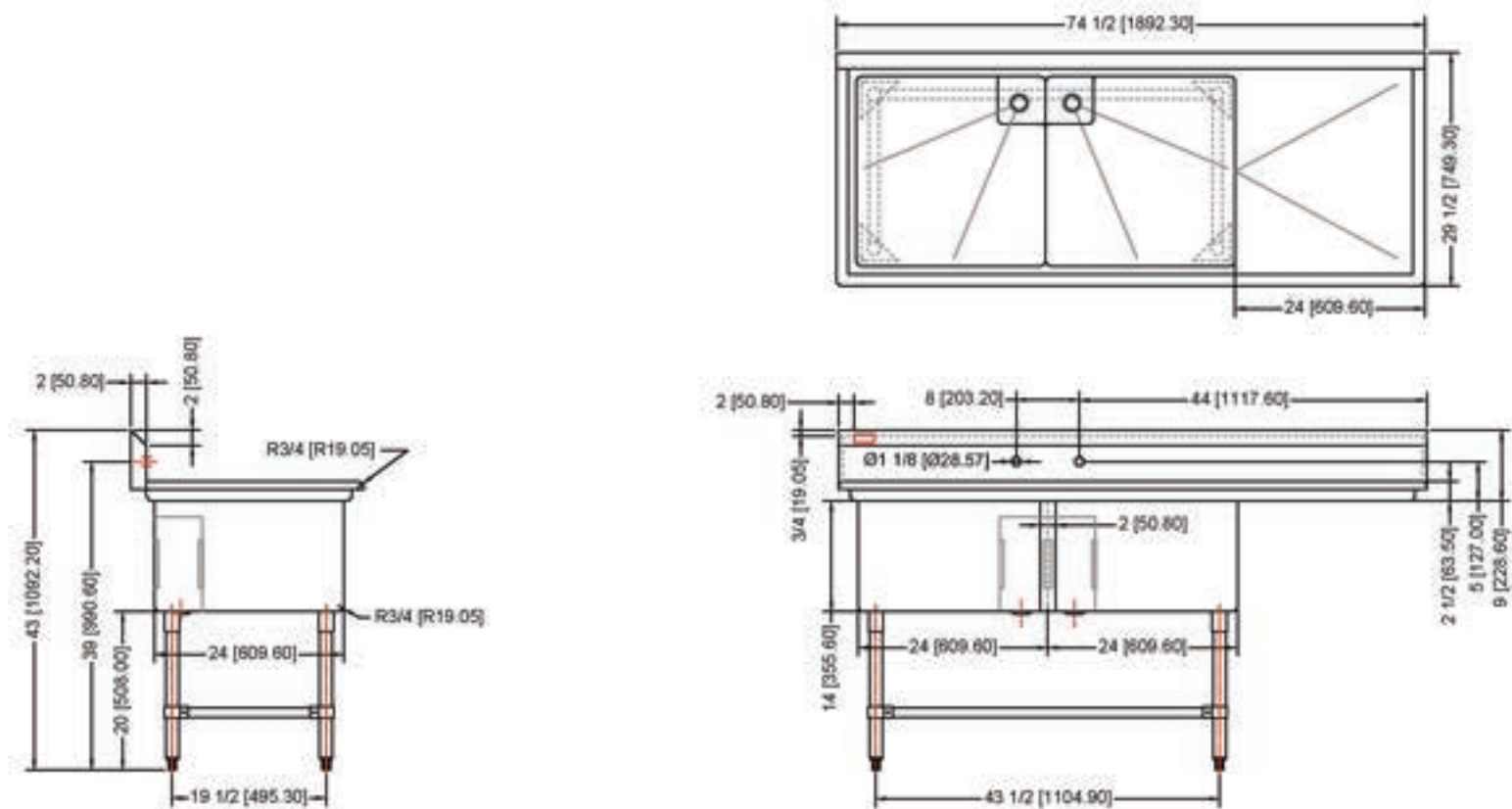
## Stainless Steel Compartment Sinks

### DS2424-R

Size:	29.5"D x 74.5"W x 43"H
Drain Location:	Corner
No. of Bowls:	Three
Drainboards:	Left
Bowl Size:	24"
Weight:	106 lbs
Shipping Size:	76" W x 30" D x 30" H

### DS2424-R

#### Technical Drawing



### 24" Two Compartment Sink Right Drainboard

#### Features



- ✓ Premium 18 Gauge Type 304 stainless steel for durability.
- ✓ Stamped drain boards and bottoms for optimal water flow.
- ✓ 14" deep bowls with center or corner drain options.
- ✓ Pre-cut 8" center holes for wall mount faucets.
- ✓ Corner drains with 1 7/8" holes and a 12" overflow pipe, including a drain basket.
- ✓ 36" tall from floor to rim, 43" to top of backsplash.
- ✓ Single piece with 5/8" radius corners for easy cleaning.
- ✓ Polished welded joints for a sleek appearance.
- ✓ Gussets attached to reinforced plate for strength.
- ✓ U shape leg braces included for maximum support.
- ✓ Entirely TIG welded for superior strength and finish.

Model	Shipping Size	Product Size	Sink Width	Drain Area	Sink Bowls	Boards	Weight
SS2424-0	30" W x 30" D x 30" H	29.5"D x 28"W x 43.75"H	24"	Corner	1	Right	62 lbs
DS2424-0	55" W x 30" D x 30" H	29.5"D x 53"W x 43.75"H	24"	Corner	2	Both	93 lbs
DS2424-L	76" W x 30" D x 30" H	29.5"D x 74.5"W x 43.75"H	24"	Corner	3	None	106 lbs
DS2424-R	76" W x 30" D x 30" H	29.5"D x 74.5"W x 43.75"H	24"	Corner	3	Left	106 lbs
TS2424-0	79" W x 30" D x 30" H	29.5"D x 77"W x 43.75"H	24"	Corner	3	Right	124 lbs
TS2424-L	100" W x 30" D x 30" H	29.5" D x 98.5" W x 43.75"H	24"	Corner	3	None	137 lbs
TS2424-R	100" W x 30" D x 30" H	29.5" D x 98.5" W x 43.75"H	24"	Corner	3	Left	137 lbs
TS2424-RL	121" W x 30" D x 30" H	29.5" D x 120" W x 43.75"H	24"	Corner	3	Both	153 lbs





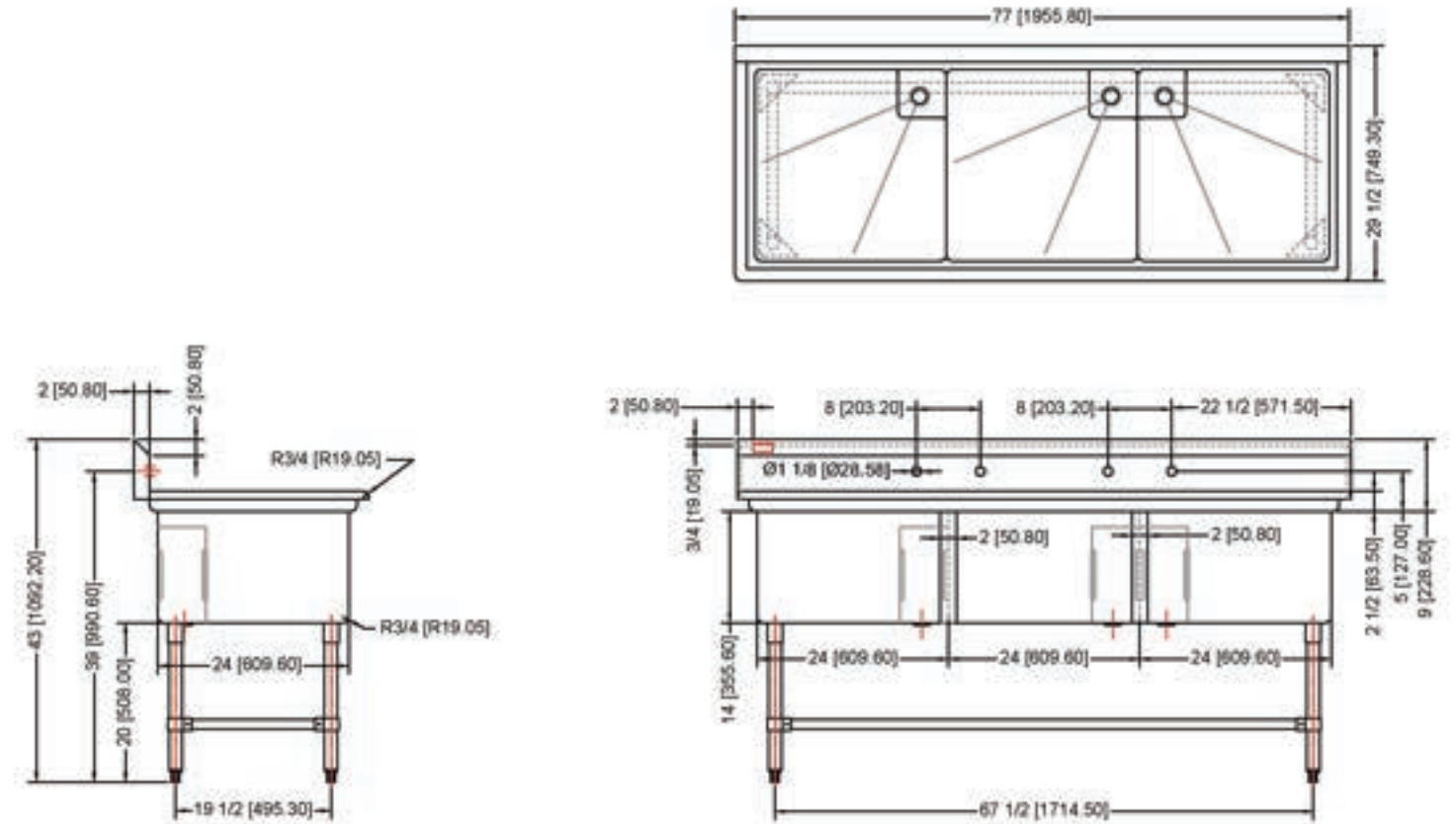
## Stainless Steel Compartment Sinks

### TS2424-0

Size:	29.5"D x 77"W x 43"H
Drain Location:	Corner
No. of Bowls:	Three
Drainboards:	Right
Bowl Size:	24"
Weight:	124 lbs
Shipping Size:	79" W x 30" D x 30" H

### TS2424-0

#### Technical Drawing



### 24" Three Compartment Sink No Drainboard

#### Features



- ✓ Premium 18 Gauge Type 304 stainless steel for durability.
- ✓ Stamped drain boards and bottoms for optimal water flow.
- ✓ 14" deep bowls with center or corner drain options.
- ✓ Pre-cut 8" center holes for wall mount faucets.
- ✓ Corner drains with 1 7/8" holes and a 12" overflow pipe, including a drain basket.
- ✓ 36" tall from floor to rim, 43" to top of backsplash.
- ✓ Single piece with 5/8" radius corners for easy cleaning.
- ✓ Polished welded joints for a sleek appearance.
- ✓ Gussets attached to reinforced plate for strength.
- ✓ U shape leg braces included for maximum support.
- ✓ Entirely TIG welded for superior strength and finish.

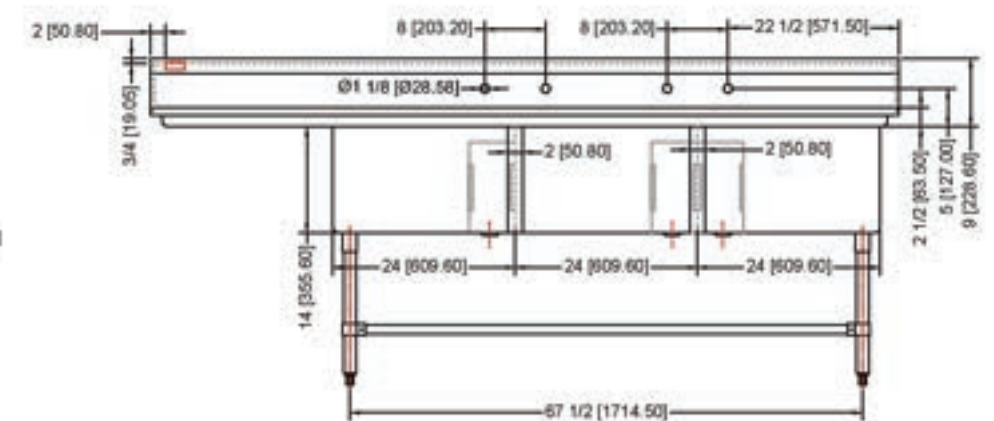
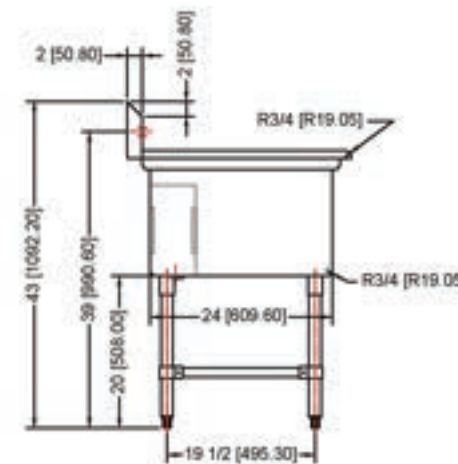
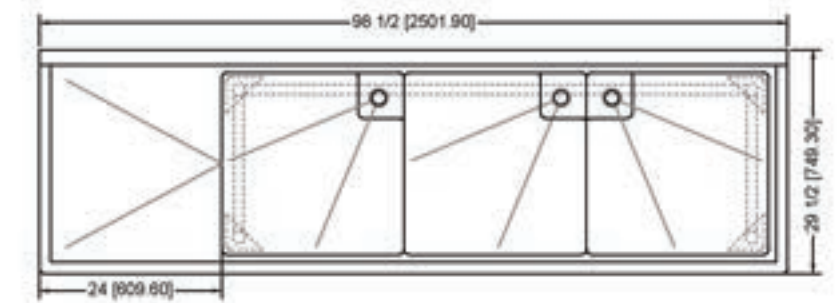
Model	Shipping Size	Product Size	Sink Width	Drain Area	Sink Bowls	Boards	Weight
SS2424-0	30" W x 30" D x 30" H	29.5"D x 28"W x 43.75"H	24"	Corner	1	Right	62 lbs
DS2424-0	55" W x 30" D x 30" H	29.5"D x 53"W x 43.75"H	24"	Corner	2	Both	93 lbs
DS2424-L	76" W x 30" D x 30" H	29.5"D x 74.5"W x 43.75"H	24"	Corner	3	None	106 lbs
DS2424-R	76" W x 30" D x 30" H	29.5"D x 74.5"W x 43.75"H	24"	Corner	3	Left	106 lbs
TS2424-0	79" W x 30" D x 30" H	29.5"D x 77"W x 43.75"H	24"	Corner	3	Right	124 lbs
TS2424-L	100" W x 30" D x 30" H	29.5" D x 98.5" W x 43.75"H	24"	Corner	3	None	137 lbs
TS2424-R	100" W x 30" D x 30" H	29.5" D x 98.5" W x 43.75"H	24"	Corner	3	Left	137 lbs
TS2424-RL	121" W x 30" D x 30" H	29.5" D x 120" W x 43.75"H	24"	Corner	3	Both	153 lbs

**TS2424-L**  
Technical Drawing

**Stainless Steel  
Compartment Sinks**

**TS2424-L**

Size:	29.5"D x 98.5" W x 43"H
Drain Location:	Corner
No. of Bowls:	Single
Drainboards:	None
Bowl Size:	24"
Weight:	137 lbs
Shipping Size:	100" W x 30" D x 30" H



24" Three Compartment Sink Left Drainboard

**Features**



- ✓ Premium 18 Gauge Type 304 stainless steel for durability.
- ✓ Stamped drain boards and bottoms for optimal water flow.
- ✓ 14" deep bowls with center or corner drain options.
- ✓ Pre-cut 8" center holes for wall mount faucets.
- ✓ Corner drains with 1 7/8" holes and a 12" overflow pipe, including a drain basket.
- ✓ 36" tall from floor to rim, 43" to top of backsplash.
- ✓ Single piece with 5/8" radius corners for easy cleaning.
- ✓ Polished welded joints for a sleek appearance.
- ✓ Gussets attached to reinforced plate for strength.
- ✓ U shape leg braces included for maximum support.
- ✓ Entirely TIG welded for superior strength and finish.

Model	Shipping Size	Product Size	Sink Width	Drain Area	Sink Bowls	Boards	Weight
SS2424-0	30" W x 30" D x 30" H	29.5"D x 28"W x 43.75"H	24"	Corner	1	Right	62 lbs
DS2424-0	55" W x 30" D x 30" H	29.5"D x 53"W x 43.75"H	24"	Corner	2	Both	93 lbs
DS2424-L	76" W x 30" D x 30" H	29.5"D x 74.5"W x 43.75"H	24"	Corner	3	None	106 lbs
DS2424-R	76" W x 30" D x 30" H	29.5"D x 74.5"W x 43.75"H	24"	Corner	3	Left	106 lbs
TS2424-0	79" W x 30" D x 30" H	29.5"D x 77"W x 43.75"H	24"	Corner	3	Right	124 lbs
TS2424-L	100" W x 30" D x 30" H	29.5" D x 98.5" W x 43.75"H	24"	Corner	3	None	137 lbs
TS2424-R	100" W x 30" D x 30" H	29.5" D x 98.5" W x 43.75"H	24"	Corner	3	Left	137 lbs
TS2424-RL	121" W x 30" D x 30" H	29.5" D x 120" W x 43.75"H	24"	Corner	3	Both	153 lbs

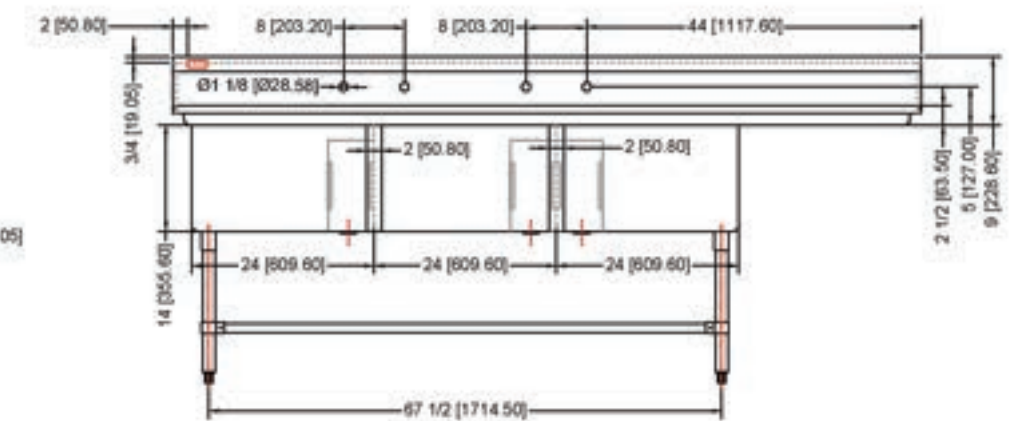
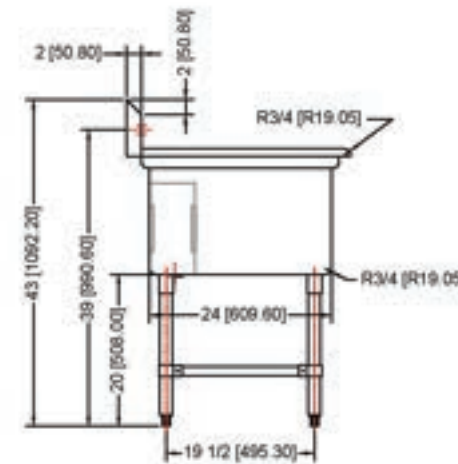
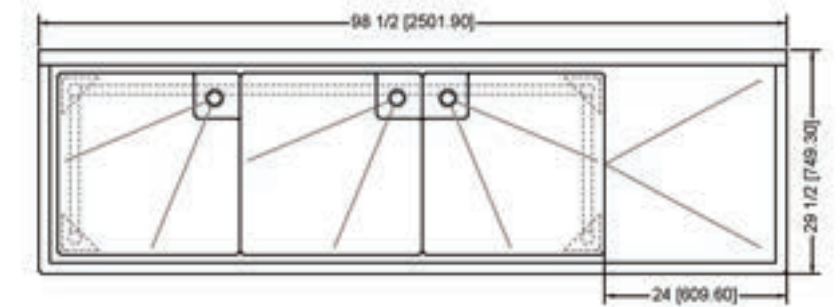


**TS2424-R**  
Technical Drawing

**Stainless Steel  
Compartment Sinks**

**TS2424-R**

Size:	29.5"D x 98.5" W x 43"H
Drain Location:	Corner
No. of Bowls:	Two
Drainboards:	Left
Bowl Size:	24"
Weight:	137 lbs
Shipping Size:	100" W x 30" D x 30" H



24" Two Compartment Sink Right Drainboard

**Features**



- ✓ Premium 18 Gauge Type 304 stainless steel for durability.
- ✓ Stamped drain boards and bottoms for optimal water flow.
- ✓ 14" deep bowls with center or corner drain options.
- ✓ Pre-cut 8" center holes for wall mount faucets.
- ✓ Corner drains with 1 7/8" holes and a 12" overflow pipe, including a drain basket.
- ✓ 36" tall from floor to rim, 43" to top of backsplash.
- ✓ Single piece with 5/8" radius corners for easy cleaning.
- ✓ Polished welded joints for a sleek appearance.
- ✓ Gussets attached to reinforced plate for strength.
- ✓ U shape leg braces included for maximum support.
- ✓ Entirely TIG welded for superior strength and finish.

Model	Shipping Size	Product Size	Sink Width	Drain Area	Sink Bowls	Boards	Weight
SS2424-0	30" W x 30" D x 30" H	29.5"D x 28"W x 43.75"H	24"	Corner	1	Right	62 lbs
DS2424-0	55" W x 30" D x 30" H	29.5"D x 53"W x 43.75"H	24"	Corner	2	Both	93 lbs
DS2424-L	76" W x 30" D x 30" H	29.5"D x 74.5"W x 43.75"H	24"	Corner	3	None	106 lbs
DS2424-R	76" W x 30" D x 30" H	29.5"D x 74.5"W x 43.75"H	24"	Corner	3	Left	106 lbs
TS2424-0	79" W x 30" D x 30" H	29.5"D x 77"W x 43.75"H	24"	Corner	3	Right	124 lbs
TS2424-L	100" W x 30" D x 30" H	29.5" D x 98.5" W x 43.75"H	24"	Corner	3	None	137 lbs
TS2424-R	100" W x 30" D x 30" H	29.5" D x 98.5" W x 43.75"H	24"	Corner	3	Left	137 lbs
TS2424-RL	121" W x 30" D x 30" H	29.5" D x 120" W x 43.75"H	24"	Corner	3	Both	153 lbs

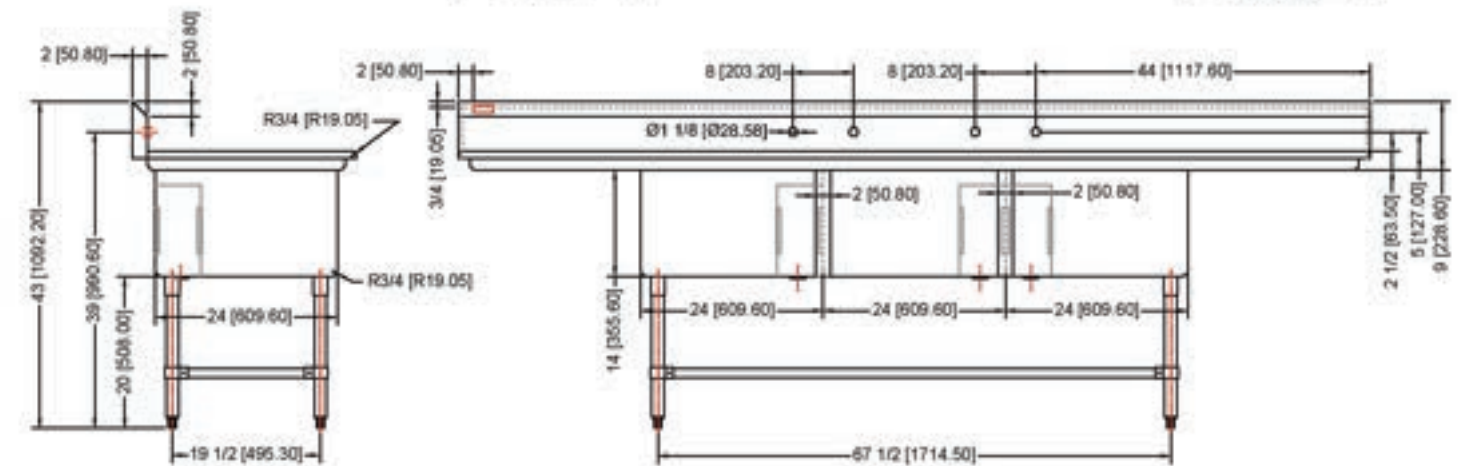
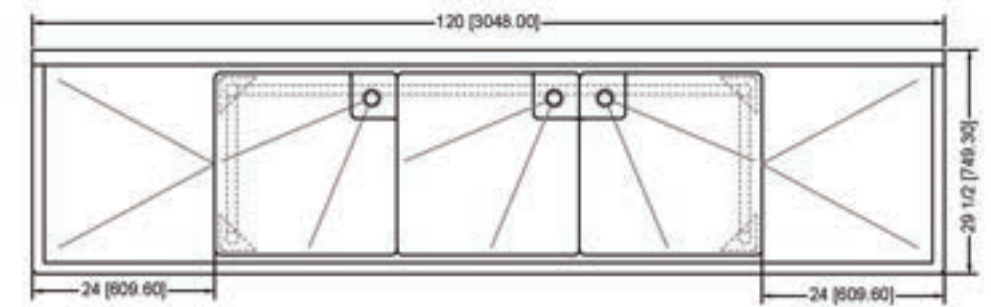
**TS2424-RL**  
Technical Drawing

**Stainless Steel  
Compartment Sinks**

**TS2424-RL**



Size:	29.5"D x 120" W x 43"H
Drain Location:	Corner
No. of Bowls:	Three
Drainboards:	Both
Bowl Size:	24"
Weight:	153 lbs
Shipping Size:	121" W x 30" D x 30" H



24" Three Compartment Sink Both Drainboards

**Features**



- ✓ Premium 18 Gauge Type 304 stainless steel for durability.
- ✓ Stamped drain boards and bottoms for optimal water flow.
- ✓ 14" deep bowls with center or corner drain options.
- ✓ Pre-cut 8" center holes for wall mount faucets.
- ✓ Corner drains with 1 7/8" holes and a 12" overflow pipe, including a drain basket.
- ✓ 36" tall from floor to rim, 43" to top of backsplash.
- ✓ Single piece with 5/8" radius corners for easy cleaning.
- ✓ Polished welded joints for a sleek appearance.
- ✓ Gussets attached to reinforced plate for strength.
- ✓ U shape leg braces included for maximum support.
- ✓ Entirely TIG welded for superior strength and finish.

Model	Shipping Size	Product Size	Sink Width	Drain Area	Sink Bowls	Boards	Weight
SS2424-0	30" W x 30" D x 30" H	29.5"D x 28"W x 43.75"H	24"	Corner	1	Right	62 lbs
DS2424-0	55" W x 30" D x 30" H	29.5"D x 53"W x 43.75"H	24"	Corner	2	Both	93 lbs
DS2424-L	76" W x 30" D x 30" H	29.5"D x 74.5"W x 43.75"H	24"	Corner	3	None	106 lbs
DS2424-R	76" W x 30" D x 30" H	29.5"D x 74.5"W x 43.75"H	24"	Corner	3	Left	106 lbs
TS2424-0	79" W x 30" D x 30" H	29.5"D x 77"W x 43.75"H	24"	Corner	3	Right	124 lbs
TS2424-L	100" W x 30" D x 30" H	29.5" D x 98.5" W x 43.75"H	24"	Corner	3	None	137 lbs
TS2424-R	100" W x 30" D x 30" H	29.5" D x 98.5" W x 43.75"H	24"	Corner	3	Left	137 lbs
TS2424-RL	121" W x 30" D x 30" H	29.5" D x 120" W x 43.75"H	24"	Corner	3	Both	153 lbs






# STAINLESS STEEL EQUIPMENT STANDS

ICE AGE REFRIGERATION INC

121 McLean Drive, Vancouver BC, Canada

 If the data and structure update, without notice, subject to material object.



## Stainless Steel Equipment Stand

### EST-2424

Size:	24" D x 24" W x 24" H
Weight	40 lbs
Width	24 inches
Shipping Size	26" L x 26" W x 5" H

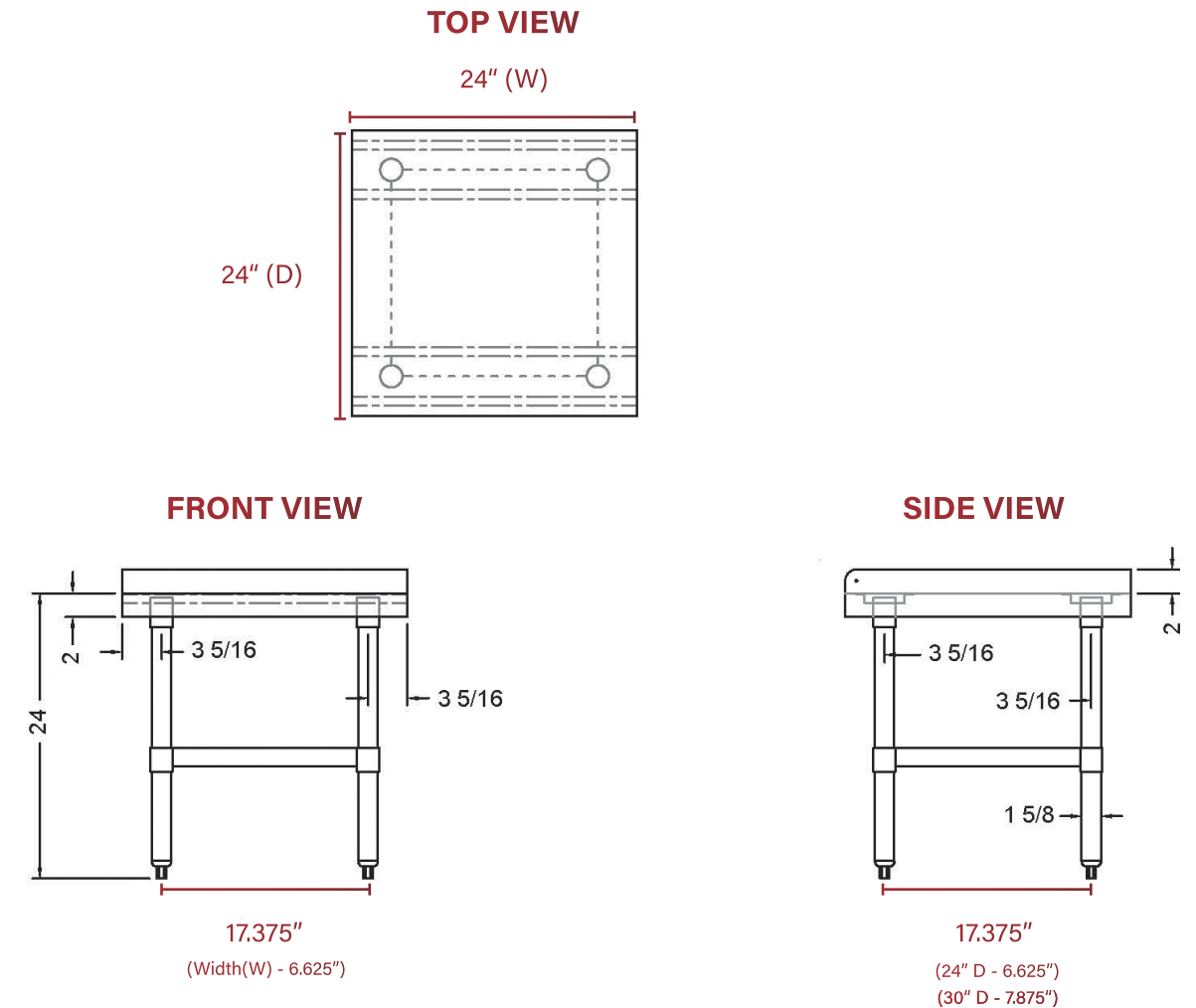
### Equipment Stand, 24" x 24"

### Features



- ✓ 1.5" riser on three sides securely holds equipment in place.
- ✓ Heavy-duty, 18 gauge, Type 430 stainless steel top ensures long-lasting durability.
- ✓ Top is TIG welded for strength.
- ✓ Entire top surface is polished to a satin finish.
- ✓ Reinforced to exceed industry standards.
- ✓ Galvanized hat channels secured to the top with structural adhesive and weld studs.
- ✓ Welded gussets support hat sections.
- ✓ Hemmed edges for added strength and safety.
- ✓ Galvanized legs and undershelf offer durability and cost-effectiveness.
- ✓ Die-cast reinforced leg sockets for enhanced stability.

### EST-2424 Technical Drawing



Model	Shipping Deminsions	Product Size	Width	Weight
EST-2424	26" L x 26" W x 5" H	24" D x 24" W x 26" H	24 inches	40 lbs
EST-2430	32" L x 26" W x 5" H	24" D x 30" W x 26" H	30 inches	45 lbs
EST-2436	38" L x 26" W x 5" H	24" D x 36" W x 26" H	36 inches	49 lbs
EST-2448	50" L x 26" W x 5" H	24" D x 48" W x 26" H	48 inches	60 lbs
EST-2460	62" L x 26" W x 5" H	24" D x 60" W x 26" H	60 inches	80 lbs
EST-3015	32" L x 18" W x 5" H	30" D x 15" W x 26" H	15 inches	37 lbs
EST-3018	32" L x 20" W x 5" H	30" D x 18" W x 26" H	18 inches	40 lbs
EST-3024	32" L x 26" W x 5" H	30" D x 24" W x 26" H	24 inches	48 lbs
EST-3030	32" L x 32" W x 5" H	30" D x 30" W x 26" H	30 inches	52 lbs
EST-3036	38" L x 32" W x 5" H	30" D x 36" W x 26" H	36 inches	57 lbs
EST-3048	50" L x 32" W x 5" H	30" D x 48" W x 26" H	48 inches	69 lbs
EST-3060	62" L x 32" W x 5" H	30" D x 60" W x 26" H	60 inches	75 lbs





## Stainless Steel Equipment Stand

### EST-2430

Size:	24" D x 30" W x 24" H
Weight	45 lbs
Width	30 inches
Shipping Size	32" L x 26" W x 5" H

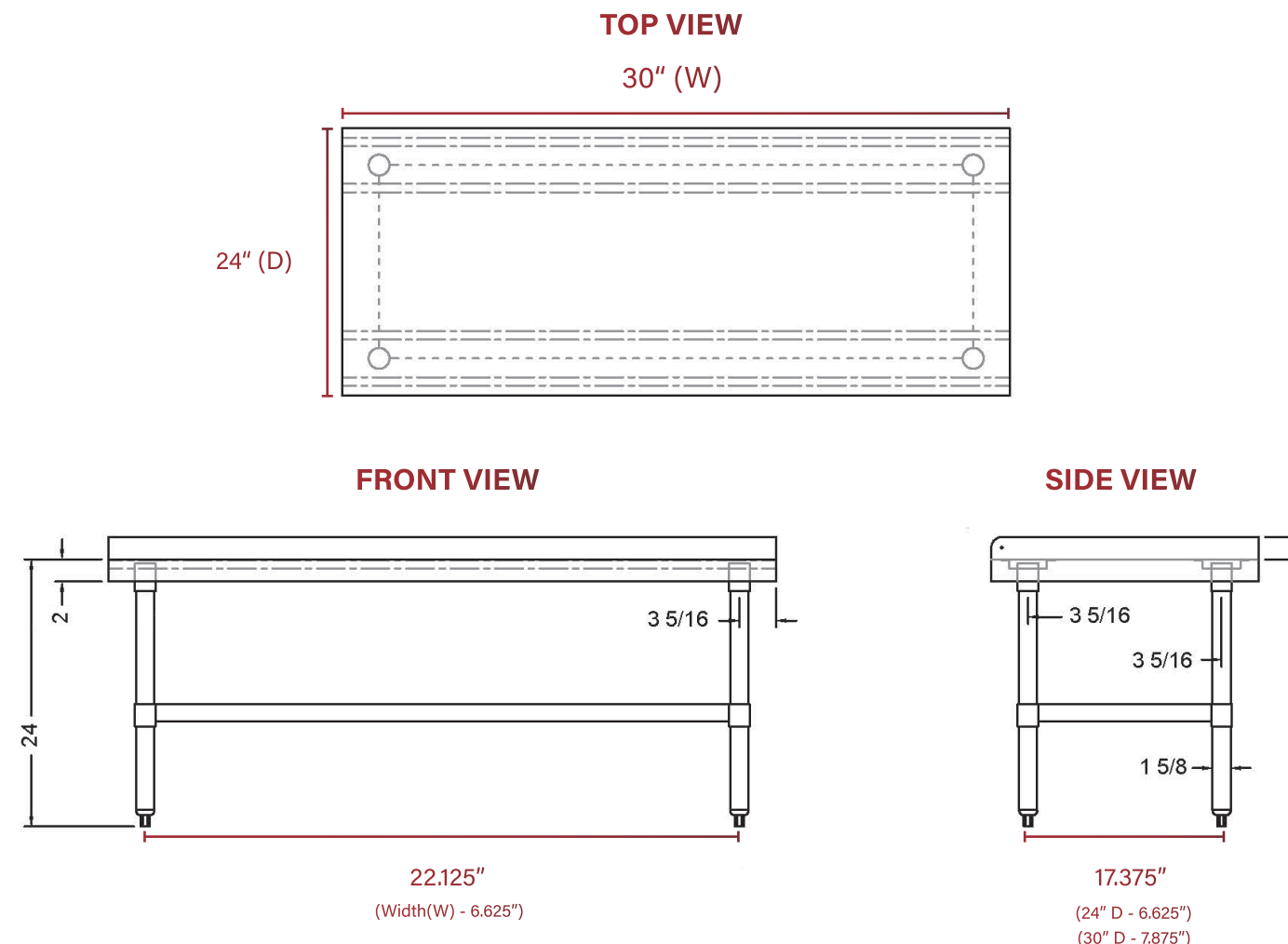
### Equipment Stand, 24" x 30"

### Features



- ✓ 1.5" riser on three sides securely holds equipment in place.
- ✓ Heavy-duty, 18 gauge, Type 430 stainless steel top ensures long-lasting durability.
- ✓ Top is TIG welded for strength.
- ✓ Entire top surface is polished to a satin finish.
- ✓ Reinforced to exceed industry standards.
- ✓ Galvanized hat channels secured to the top with structural adhesive and weld studs.
- ✓ Welded gussets support hat sections.
- ✓ Hemmed edges for added strength and safety.
- ✓ Galvanized legs and undershelf offer durability and cost-effectiveness.
- ✓ Die-cast reinforced leg sockets for enhanced stability.

### EST-2430 Technical Drawing



Model	Shipping Deminsions	Product Size	Width	Weight
EST-2424	26" L x 26" W x 5" H	24" D x 24" W x 26" H	24 inches	40 lbs
EST-2430	32" L x 26" W x 5" H	24" D x 30" W x 26" H	30 inches	45 lbs
EST-2436	38" L x 26" W x 5" H	24" D x 36" W x 26" H	36 inches	49 lbs
EST-2448	50" L x 26" W x 5" H	24" D x 48" W x 26" H	48 inches	60 lbs
EST-2460	62" L x 26" W x 5" H	24" D x 60" W x 26" H	60 inches	80 lbs
EST-3015	32" L x 18" W x 5" H	30" D x 15" W x 26" H	15 inches	37 lbs
EST-3018	32" L x 20" W x 5" H	30" D x 18" W x 26" H	18 inches	40 lbs
EST-3024	32" L x 26" W x 5" H	30" D x 24" W x 26" H	24 inches	48 lbs
EST-3030	32" L x 32" W x 5" H	30" D x 30" W x 26" H	30 inches	52 lbs
EST-3036	38" L x 32" W x 5" H	30" D x 36" W x 26" H	36 inches	57 lbs
EST-3048	50" L x 32" W x 5" H	30" D x 48" W x 26" H	48 inches	69 lbs
EST-3060	62" L x 32" W x 5" H	30" D x 60" W x 26" H	60 inches	75 lbs



## Stainless Steel Equipment Stand

### EST-2436

Size:	24" D x 36" W x 24" H
Weight	49 lbs
Width	36 inches
Shipping Size	38" L x 26" W x 5" H

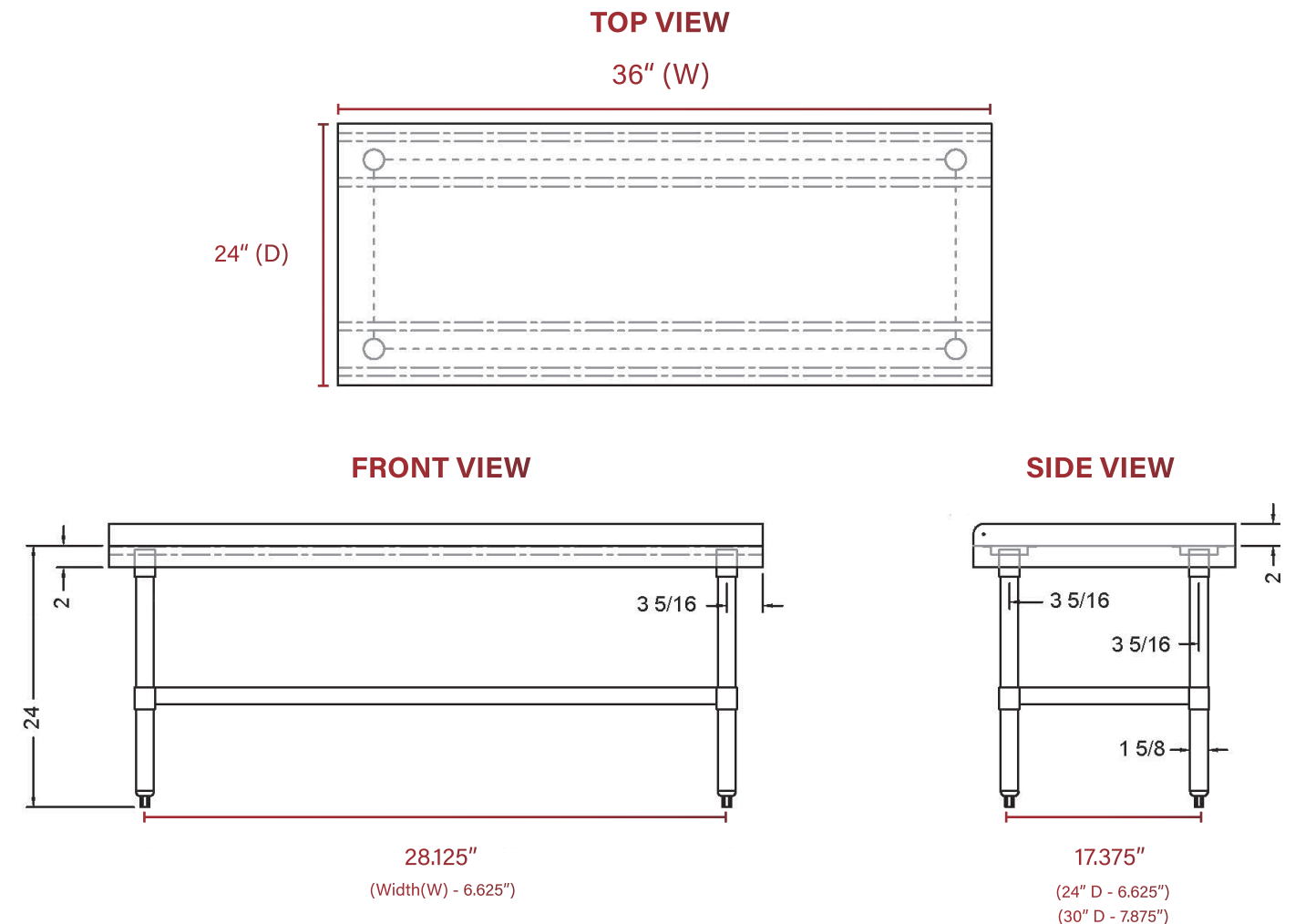
### Equipment Stand, 24" x 36"

### Features



- ✓ 1.5" riser on three sides securely holds equipment in place.
- ✓ Heavy-duty, 18 gauge, Type 430 stainless steel top ensures long-lasting durability.
- ✓ Top is TIG welded for strength.
- ✓ Entire top surface is polished to a satin finish.
- ✓ Reinforced to exceed industry standards.
- ✓ Galvanized hat channels secured to the top with structural adhesive and weld studs.
- ✓ Welded gussets support hat sections.
- ✓ Hemmed edges for added strength and safety.
- ✓ Galvanized legs and undershelf offer durability and cost-effectiveness.
- ✓ Die-cast reinforced leg sockets for enhanced stability.

### EST-2436 Technical Drawing



Model	Shipping Deminsions	Product Size	Width	Weight
EST-2424	26" L x 26" W x 5" H	24" D x 24" W x 26" H	24 inches	40 lbs
EST-2430	32" L x 26" W x 5" H	24" D x 30" W x 26" H	30 inches	45 lbs
EST-2436	38" L x 26" W x 5" H	24" D x 36" W x 26" H	36 inches	49 lbs
EST-2448	50" L x 26" W x 5" H	24" D x 48" W x 26" H	48 inches	60 lbs
EST-2460	62" L x 26" W x 5" H	24" D x 60" W x 26" H	60 inches	80 lbs
EST-3015	32" L x 18" W x 5" H	30" D x 15" W x 26" H	15 inches	37 lbs
EST-3018	32" L x 20" W x 5" H	30" D x 18" W x 26" H	18 inches	40 lbs
EST-3024	32" L x 26" W x 5" H	30" D x 24" W x 26" H	24 inches	48 lbs
EST-3030	32" L x 32" W x 5" H	30" D x 30" W x 26" H	30 inches	52 lbs
EST-3036	38" L x 32" W x 5" H	30" D x 36" W x 26" H	36 inches	57 lbs
EST-3048	50" L x 32" W x 5" H	30" D x 48" W x 26" H	48 inches	69 lbs
EST-3060	62" L x 32" W x 5" H	30" D x 60" W x 26" H	60 inches	75 lbs



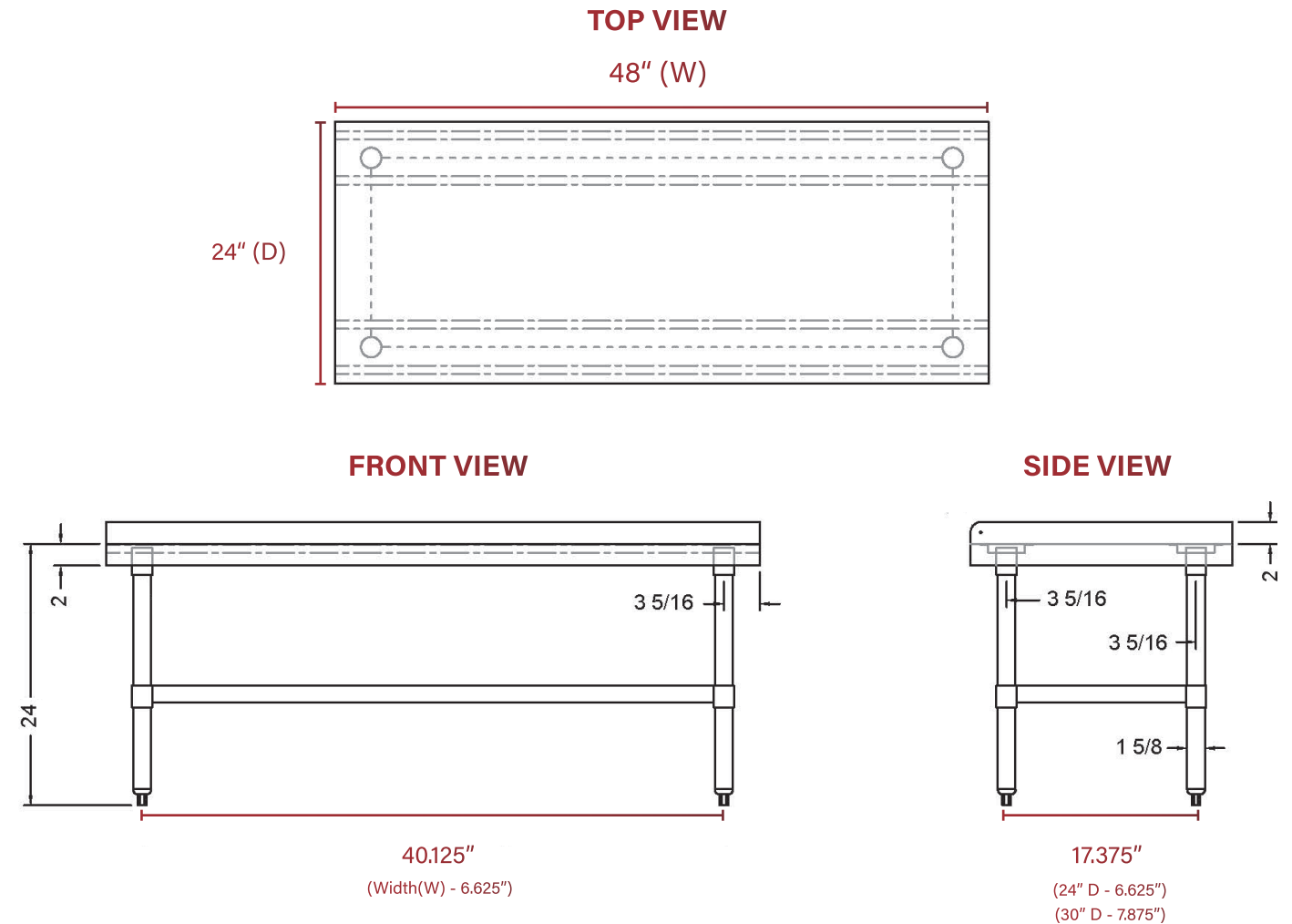


## Stainless Steel Equipment Stand

### EST-2448

Size:	24" D x 48" W x 24" H
Weight	60 lbs
Width	48 inches
Shipping Size	50" L x 26" W x 5" H

### EST-2448 Technical Drawing



### Equipment Stand, 24" x 48"

### Features



- ✓ 1.5" riser on three sides securely holds equipment in place.
- ✓ Heavy-duty, 18 gauge, Type 430 stainless steel top ensures long-lasting durability.
- ✓ Top is TIG welded for strength.
- ✓ Entire top surface is polished to a satin finish.
- ✓ Reinforced to exceed industry standards.
- ✓ Galvanized hat channels secured to the top with structural adhesive and weld studs.
- ✓ Welded gussets support hat sections.
- ✓ Hemmed edges for added strength and safety.
- ✓ Galvanized legs and undershelf offer durability and cost-effectiveness.
- ✓ Die-cast reinforced leg sockets for enhanced stability.

Model	Shipping Deminsions	Product Size	Width	Weight
EST-2424	26" L x 26" W x 5" H	24" D x 24" W x 26" H	24 inches	40 lbs
EST-2430	32" L x 26" W x 5" H	24" D x 30" W x 26" H	30 inches	45 lbs
EST-2436	38" L x 26" W x 5" H	24" D x 36" W x 26" H	36 inches	49 lbs
EST-2448	50" L x 26" W x 5" H	24" D x 48" W x 26" H	48 inches	60 lbs
EST-2460	62" L x 26" W x 5" H	24" D x 60" W x 26" H	60 inches	80 lbs
EST-3015	32" L x 18" W x 5" H	30" D x 15" W x 26" H	15 inches	37 lbs
EST-3018	32" L x 20" W x 5" H	30" D x 18" W x 26" H	18 inches	40 lbs
EST-3024	32" L x 26" W x 5" H	30" D x 24" W x 26" H	24 inches	48 lbs
EST-3030	32" L x 32" W x 5" H	30" D x 30" W x 26" H	30 inches	52 lbs
EST-3036	38" L x 32" W x 5" H	30" D x 36" W x 26" H	36 inches	57 lbs
EST-3048	50" L x 32" W x 5" H	30" D x 48" W x 26" H	48 inches	69 lbs
EST-3060	62" L x 32" W x 5" H	30" D x 60" W x 26" H	60 inches	75 lbs



## Stainless Steel Equipment Stand

### EST-2460

Size:	24" D x 60" W x 24" H
Weight	80 lbs
Width	60 inches
Shipping Size	62" L x 26" W x 5" H

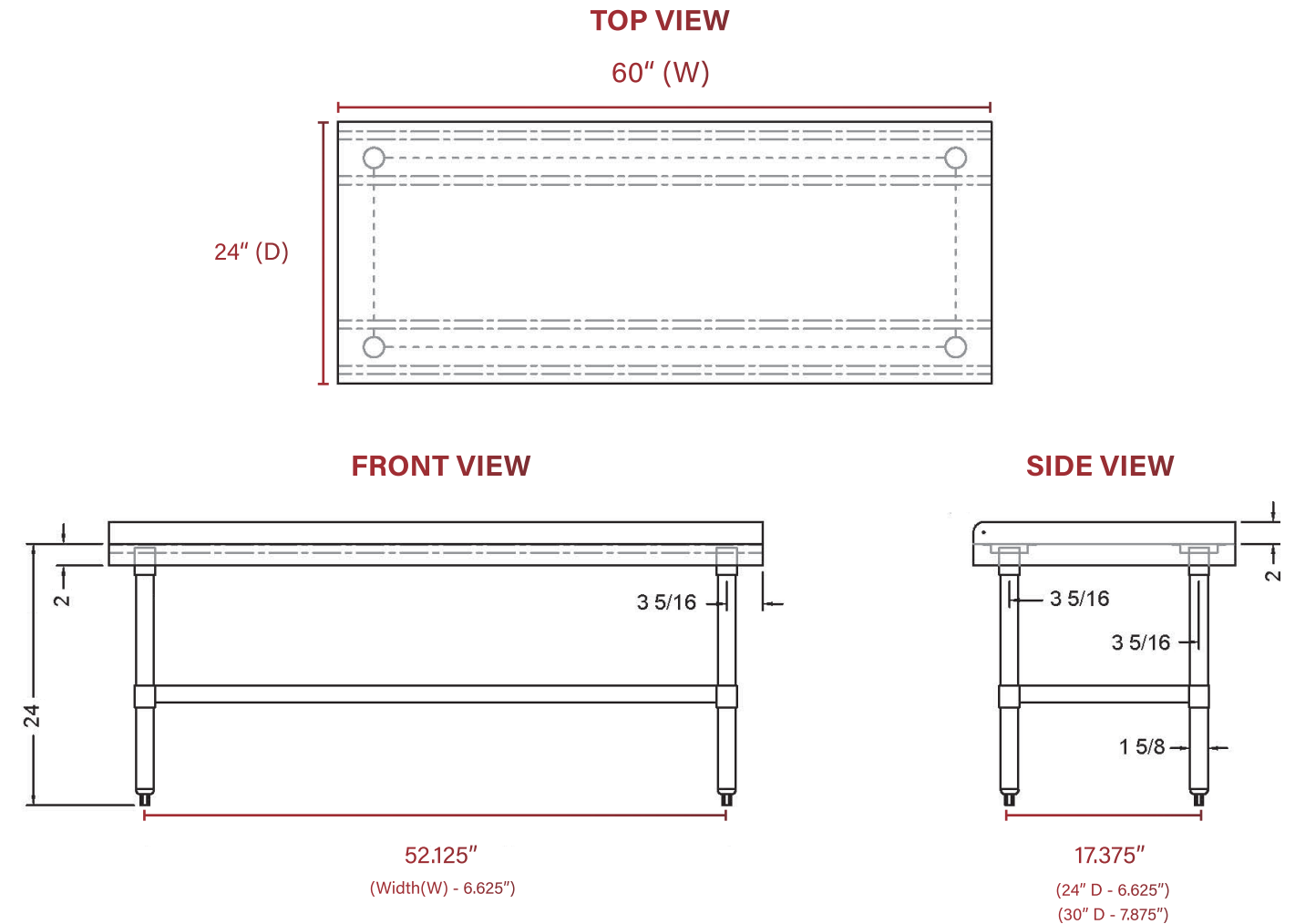
### Equipment Stand, 24" x 60"

### Features



- ✓ 1.5" riser on three sides securely holds equipment in place.
- ✓ Heavy-duty, 18 gauge, Type 430 stainless steel top ensures long-lasting durability.
- ✓ Top is TIG welded for strength.
- ✓ Entire top surface is polished to a satin finish.
- ✓ Reinforced to exceed industry standards.
- ✓ Galvanized hat channels secured to the top with structural adhesive and weld studs.
- ✓ Welded gussets support hat sections.
- ✓ Hemmed edges for added strength and safety.
- ✓ Galvanized legs and undershelf offer durability and cost-effectiveness.
- ✓ Die-cast reinforced leg sockets for enhanced stability.

### EST-2460 Technical Drawing



Model	Shipping Deminsions	Product Size	Width	Weight
EST-2424	26" L x 26" W x 5" H	24" D x 24" W x 26" H	24 inches	40 lbs
EST-2430	32" L x 26" W x 5" H	24" D x 30" W x 26" H	30 inches	45 lbs
EST-2436	38" L x 26" W x 5" H	24" D x 36" W x 26" H	36 inches	49 lbs
EST-2448	50" L x 26" W x 5" H	24" D x 48" W x 26" H	48 inches	60 lbs
EST-2460	62" L x 26" W x 5" H	24" D x 60" W x 26" H	60 inches	80 lbs
EST-3015	32" L x 18" W x 5" H	30" D x 15" W x 26" H	15 inches	37 lbs
EST-3018	32" L x 20" W x 5" H	30" D x 18" W x 26" H	18 inches	40 lbs
EST-3024	32" L x 26" W x 5" H	30" D x 24" W x 26" H	24 inches	48 lbs
EST-3030	32" L x 32" W x 5" H	30" D x 30" W x 26" H	30 inches	52 lbs
EST-3036	38" L x 32" W x 5" H	30" D x 36" W x 26" H	36 inches	57 lbs
EST-3048	50" L x 32" W x 5" H	30" D x 48" W x 26" H	48 inches	69 lbs
EST-3060	62" L x 32" W x 5" H	30" D x 60" W x 26" H	60 inches	75 lbs



## Stainless Steel Equipment Stand

### EST-3015

Size:	30" D x 15" W x 24" H
Weight	37 lbs
Width	15 inches
Shipping Size	18" L x 32" W x 5" H

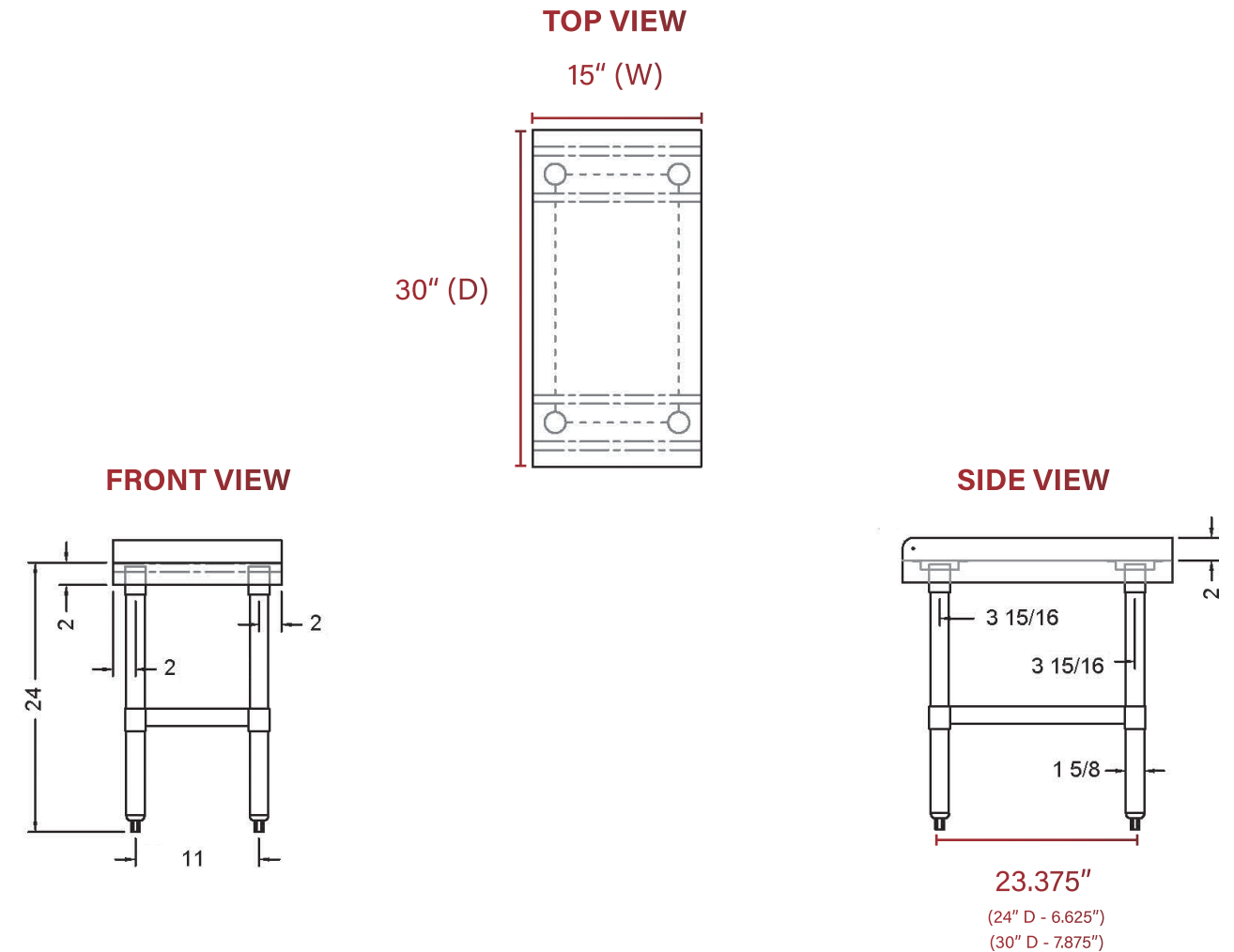
### Equipment Stand, 30" x 15"

### Features



- ✓ 1.5" riser on three sides securely holds equipment in place.
- ✓ Heavy-duty, 18 gauge, Type 430 stainless steel top ensures long-lasting durability.
- ✓ Top is TIG welded for strength.
- ✓ Entire top surface is polished to a satin finish.
- ✓ Reinforced to exceed industry standards.
- ✓ Galvanized hat channels secured to the top with structural adhesive and weld studs.
- ✓ Welded gussets support hat sections.
- ✓ Hemmed edges for added strength and safety.
- ✓ Galvanized legs and undershelf offer durability and cost-effectiveness.
- ✓ Die-cast reinforced leg sockets for enhanced stability.

### EST-3015 Technical Drawing



Model	Shipping Deminsions	Product Size	Width	Weight
EST-2424	26" L x 26" W x 5" H	24" D x 24" W x 26" H	24 inches	40 lbs
EST-2430	32" L x 26" W x 5" H	24" D x 30" W x 26" H	30 inches	45 lbs
EST-2436	38" L x 26" W x 5" H	24" D x 36" W x 26" H	36 inches	49 lbs
EST-2448	50" L x 26" W x 5" H	24" D x 48" W x 26" H	48 inches	60 lbs
EST-2460	62" L x 26" W x 5" H	24" D x 60" W x 26" H	60 inches	80 lbs
EST-3015	32" L x 18" W x 5" H	30" D x 15" W x 26" H	15 inches	37 lbs
EST-3018	32" L x 20" W x 5" H	30" D x 18" W x 26" H	18 inches	40 lbs
EST-3024	32" L x 26" W x 5" H	30" D x 24" W x 26" H	24 inches	48 lbs
EST-3030	32" L x 32" W x 5" H	30" D x 30" W x 26" H	30 inches	52 lbs
EST-3036	38" L x 32" W x 5" H	30" D x 36" W x 26" H	36 inches	57 lbs
EST-3048	50" L x 32" W x 5" H	30" D x 48" W x 26" H	48 inches	69 lbs
EST-3060	62" L x 32" W x 5" H	30" D x 60" W x 26" H	60 inches	75 lbs





## Stainless Steel Equipment Stand

### EST-3018

Size:	30" D x 18" W x 24" H
Weight	40 lbs
Width	18 inches
Shipping Size	20" L x 32" W x 5" H

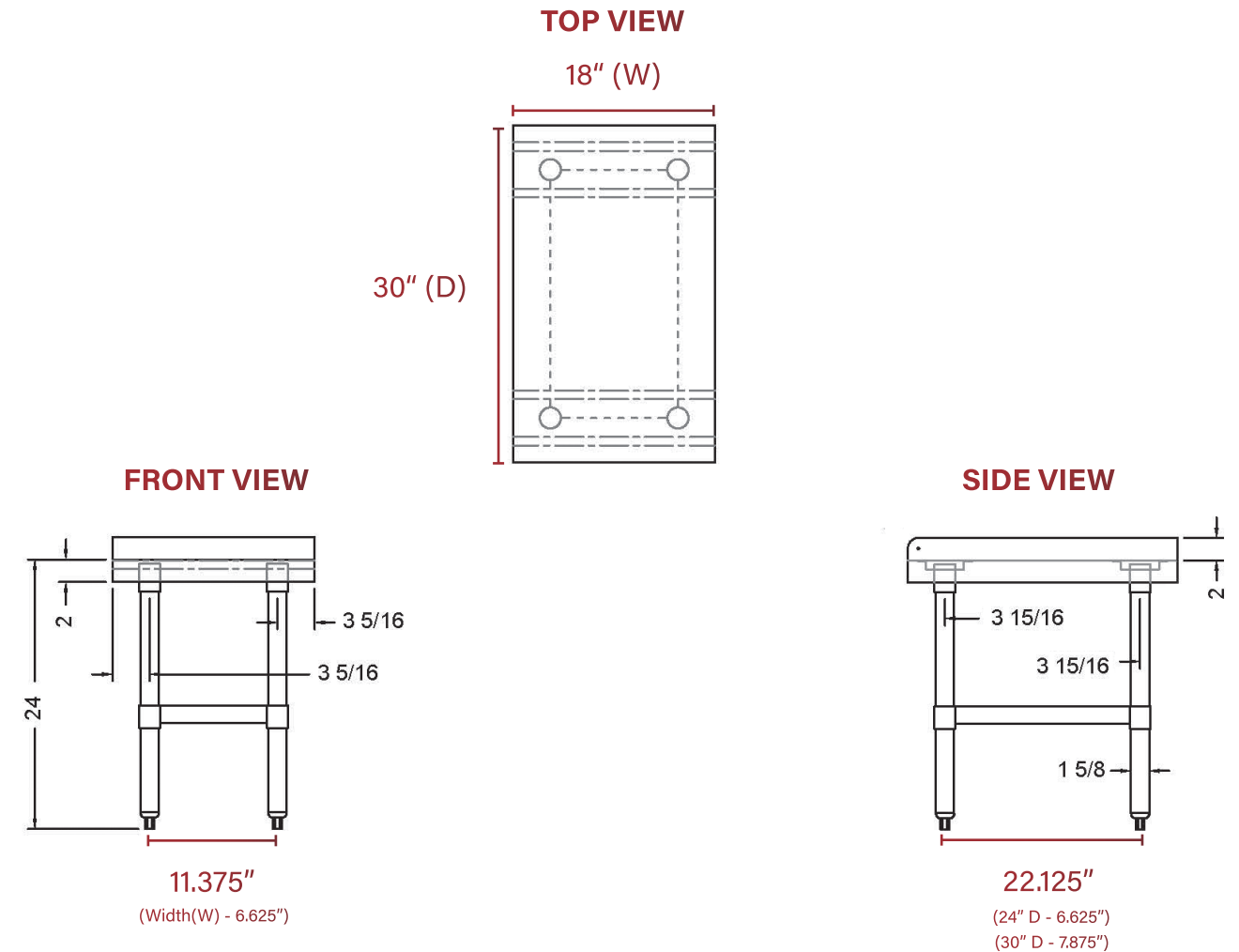
### Equipment Stand, 30" x 18"

### Features



- ✓ 1.5" riser on three sides securely holds equipment in place.
- ✓ Heavy-duty, 18 gauge, Type 430 stainless steel top ensures long-lasting durability.
- ✓ Top is TIG welded for strength.
- ✓ Entire top surface is polished to a satin finish.
- ✓ Reinforced to exceed industry standards.
- ✓ Galvanized hat channels secured to the top with structural adhesive and weld studs.
- ✓ Welded gussets support hat sections.
- ✓ Hemmed edges for added strength and safety.
- ✓ Galvanized legs and undershelf offer durability and cost-effectiveness.
- ✓ Die-cast reinforced leg sockets for enhanced stability.

### EST-3018 Technical Drawing



Model	Shipping Deminsions	Product Size	Width	Weight
EST-2424	26" L x 26" W x 5" H	24" D x 24" W x 26" H	24 inches	40 lbs
EST-2430	32" L x 26" W x 5" H	24" D x 30" W x 26" H	30 inches	45 lbs
EST-2436	38" L x 26" W x 5" H	24" D x 36" W x 26" H	36 inches	49 lbs
EST-2448	50" L x 26" W x 5" H	24" D x 48" W x 26" H	48 inches	60 lbs
EST-2460	62" L x 26" W x 5" H	24" D x 60" W x 26" H	60 inches	80 lbs
EST-3015	32" L x 18" W x 5" H	30" D x 15" W x 26" H	15 inches	37 lbs
EST-3018	32" L x 20" W x 5" H	30" D x 18" W x 26" H	18 inches	40 lbs
EST-3024	32" L x 26" W x 5" H	30" D x 24" W x 26" H	24 inches	48 lbs
EST-3030	32" L x 32" W x 5" H	30" D x 30" W x 26" H	30 inches	52 lbs
EST-3036	38" L x 32" W x 5" H	30" D x 36" W x 26" H	36 inches	57 lbs
EST-3048	50" L x 32" W x 5" H	30" D x 48" W x 26" H	48 inches	69 lbs
EST-3060	62" L x 32" W x 5" H	30" D x 60" W x 26" H	60 inches	75 lbs



## Stainless Steel Equipment Stand

### EST-3024

Size:	30" D x 24" W x 24" H
Weight	48 lbs
Width	24 inches
Shipping Size	26" L x 32" W x 5" H

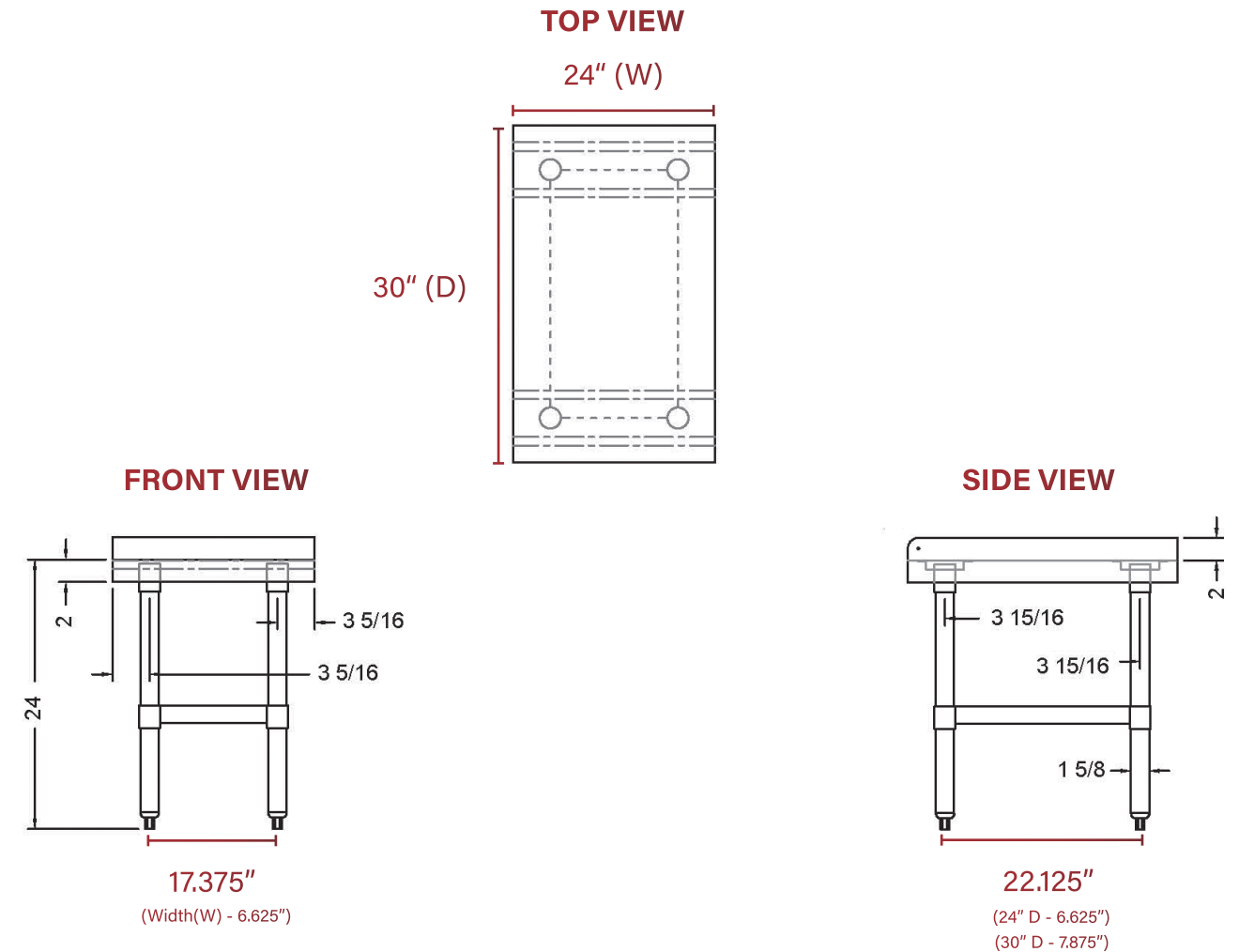
### Equipment Stand, 30" x 24"

### Features



- 1.5" riser on three sides securely holds equipment in place.
- Heavy-duty, 18 gauge, Type 430 stainless steel top ensures long-lasting durability.
- Top is TIG welded for strength.
- Entire top surface is polished to a satin finish.
- Reinforced to exceed industry standards.
- Galvanized hat channels secured to the top with structural adhesive and weld studs.
- Welded gussets support hat sections.
- Hemmed edges for added strength and safety.
- Galvanized legs and undershelf offer durability and cost-effectiveness.
- Die-cast reinforced leg sockets for enhanced stability.

### EST-3024 Technical Drawing



Model	Shipping Deminsions	Product Size	Width	Weight
EST-2424	26" L x 26" W x 5" H	24" D x 24" W x 26" H	24 inches	40 lbs
EST-2430	32" L x 26" W x 5" H	24" D x 30" W x 26" H	30 inches	45 lbs
EST-2436	38" L x 26" W x 5" H	24" D x 36" W x 26" H	36 inches	49 lbs
EST-2448	50" L x 26" W x 5" H	24" D x 48" W x 26" H	48 inches	60 lbs
EST-2460	62" L x 26" W x 5" H	24" D x 60" W x 26" H	60 inches	80 lbs
EST-3015	32" L x 18" W x 5" H	30" D x 15" W x 26" H	15 inches	37 lbs
EST-3018	32" L x 20" W x 5" H	30" D x 18" W x 26" H	18 inches	40 lbs
EST-3024	32" L x 26" W x 5" H	30" D x 24" W x 26" H	24 inches	48 lbs
EST-3030	32" L x 32" W x 5" H	30" D x 30" W x 26" H	30 inches	52 lbs
EST-3036	38" L x 32" W x 5" H	30" D x 36" W x 26" H	36 inches	57 lbs
EST-3048	50" L x 32" W x 5" H	30" D x 48" W x 26" H	48 inches	69 lbs
EST-3060	62" L x 32" W x 5" H	30" D x 60" W x 26" H	60 inches	75 lbs



## Stainless Steel Equipment Stand

### EST-3030

Size:	30" D x 30" W x 24" H
Weight	52 lbs
Width	30 inches
Shipping Size	32" L x 32" W x 5" H

### Equipment Stand, 30" x 30"

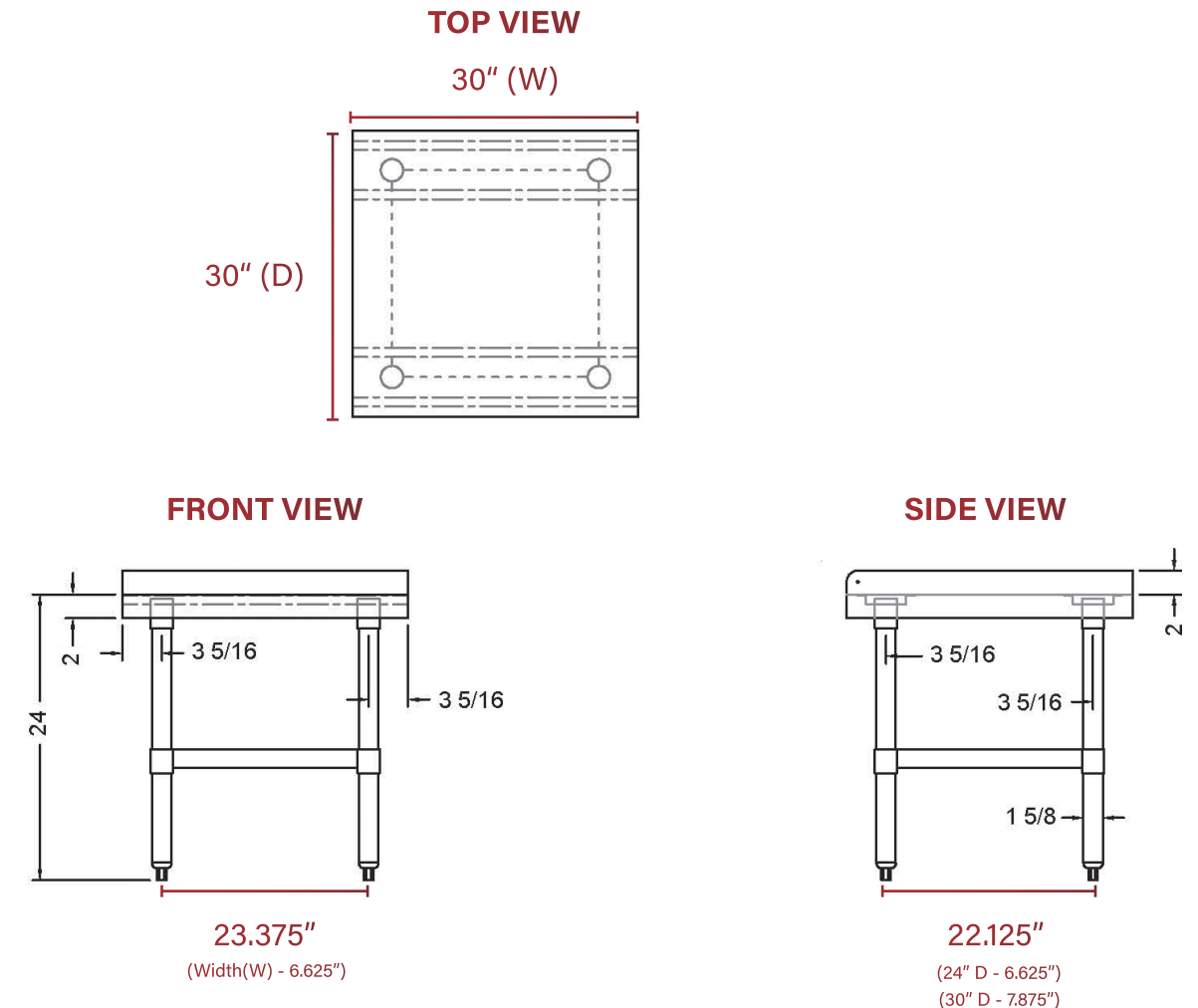
### Features



- ✓ 1.5" riser on three sides securely holds equipment in place.
- ✓ Heavy-duty, 18 gauge, Type 430 stainless steel top ensures long-lasting durability.
- ✓ Top is TIG welded for strength.
- ✓ Entire top surface is polished to a satin finish.
- ✓ Reinforced to exceed industry standards.
- ✓ Galvanized hat channels secured to the top with structural adhesive and weld studs.
- ✓ Welded gussets support hat sections.
- ✓ Hemmed edges for added strength and safety.
- ✓ Galvanized legs and undershelf offer durability and cost-effectiveness.
- ✓ Die-cast reinforced leg sockets for enhanced stability.

### EST-3030

#### Technical Drawing



Model	Shipping Deminsions	Product Size	Width	Weight
EST-2424	26" L x 26" W x 5" H	24" D x 24" W x 26" H	24 inches	40 lbs
EST-2430	32" L x 26" W x 5" H	24" D x 30" W x 26" H	30 inches	45 lbs
EST-2436	38" L x 26" W x 5" H	24" D x 36" W x 26" H	36 inches	49 lbs
EST-2448	50" L x 26" W x 5" H	24" D x 48" W x 26" H	48 inches	60 lbs
EST-2460	62" L x 26" W x 5" H	24" D x 60" W x 26" H	60 inches	80 lbs
EST-3015	32" L x 18" W x 5" H	30" D x 15" W x 26" H	15 inches	37 lbs
EST-3018	32" L x 20" W x 5" H	30" D x 18" W x 26" H	18 inches	40 lbs
EST-3024	32" L x 26" W x 5" H	30" D x 24" W x 26" H	24 inches	48 lbs
EST-3030	32" L x 32" W x 5" H	30" D x 30" W x 26" H	30 inches	52 lbs
EST-3036	38" L x 32" W x 5" H	30" D x 36" W x 26" H	36 inches	57 lbs
EST-3048	50" L x 32" W x 5" H	30" D x 48" W x 26" H	48 inches	69 lbs
EST-3060	62" L x 32" W x 5" H	30" D x 60" W x 26" H	60 inches	75 lbs





## Stainless Steel Equipment Stand

### EST-3036

Size:	30" D x 36" W x 24" H
Weight	57 lbs
Width	36 inches
Shipping Size	38" L x 32" W x 5" H

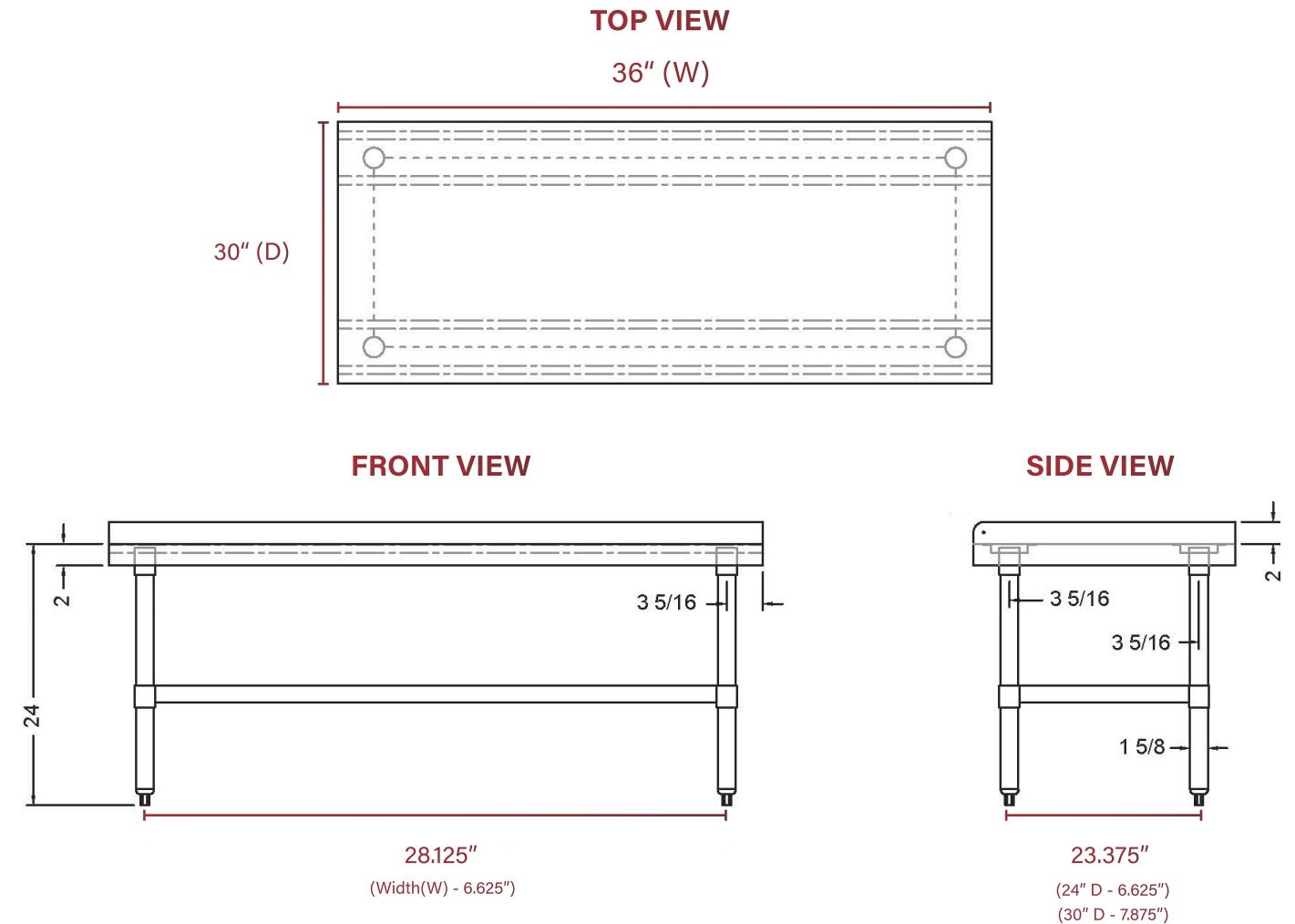
### Equipment Stand, 30" x 36"

### Features



- ✓ 1.5" riser on three sides securely holds equipment in place.
- ✓ Heavy-duty, 18 gauge, Type 430 stainless steel top ensures long-lasting durability.
- ✓ Top is TIG welded for strength.
- ✓ Entire top surface is polished to a satin finish.
- ✓ Reinforced to exceed industry standards.
- ✓ Galvanized hat channels secured to the top with structural adhesive and weld studs.
- ✓ Welded gussets support hat sections.
- ✓ Hemmed edges for added strength and safety.
- ✓ Galvanized legs and undershelf offer durability and cost-effectiveness.
- ✓ Die-cast reinforced leg sockets for enhanced stability.

### EST-3036 Technical Drawing



Model	Shipping Deminsions	Product Size	Width	Weight
EST-2424	26" L x 26" W x 5" H	24" D x 24" W x 26" H	24 inches	40 lbs
EST-2430	32" L x 26" W x 5" H	24" D x 30" W x 26" H	30 inches	45 lbs
EST-2436	38" L x 26" W x 5" H	24" D x 36" W x 26" H	36 inches	49 lbs
EST-2448	50" L x 26" W x 5" H	24" D x 48" W x 26" H	48 inches	60 lbs
EST-2460	62" L x 26" W x 5" H	24" D x 60" W x 26" H	60 inches	80 lbs
EST-3015	32" L x 18" W x 5" H	30" D x 15" W x 26" H	15 inches	37 lbs
EST-3018	32" L x 20" W x 5" H	30" D x 18" W x 26" H	18 inches	40 lbs
EST-3024	32" L x 26" W x 5" H	30" D x 24" W x 26" H	24 inches	48 lbs
EST-3030	32" L x 32" W x 5" H	30" D x 30" W x 26" H	30 inches	52 lbs
EST-3036	38" L x 32" W x 5" H	30" D x 36" W x 26" H	36 inches	57 lbs
EST-3048	50" L x 32" W x 5" H	30" D x 48" W x 26" H	48 inches	69 lbs
EST-3060	62" L x 32" W x 5" H	30" D x 60" W x 26" H	60 inches	75 lbs



## Stainless Steel Equipment Stand

### EST-3048

Size:	30" D x 48" W x 24" H
Weight	69 lbs
Width	48 inches
Shipping Size	50" L x 32" W x 5" H

### Equipment Stand, 30" x 48"

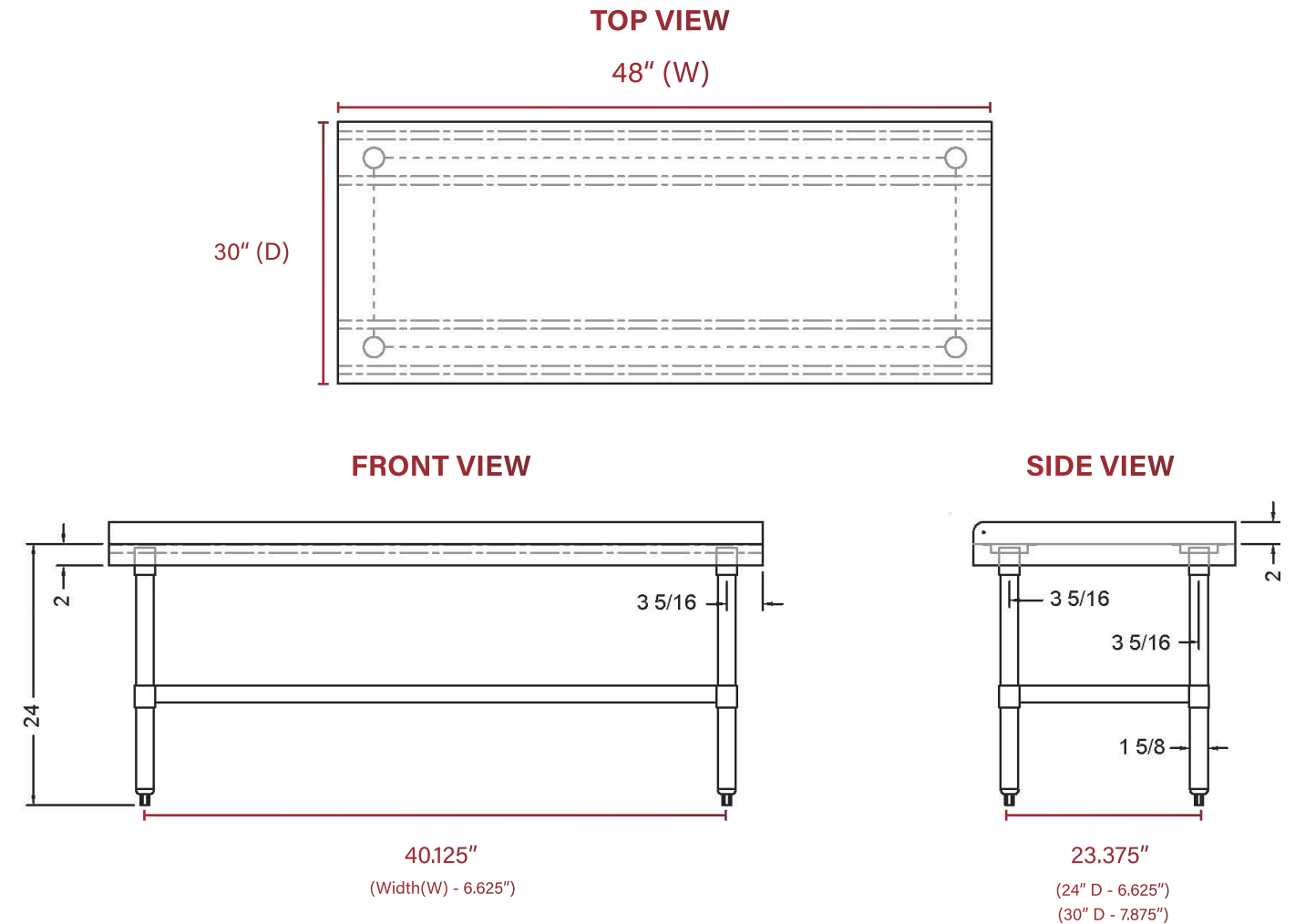
### Features



- 1.5" riser on three sides securely holds equipment in place.
- Heavy-duty, 18 gauge, Type 430 stainless steel top ensures long-lasting durability.
- Top is TIG welded for strength.
- Entire top surface is polished to a satin finish.
- Reinforced to exceed industry standards.
- Galvanized hat channels secured to the top with structural adhesive and weld studs.
- Welded gussets support hat sections.
- Hemmed edges for added strength and safety.
- Galvanized legs and undershelf offer durability and cost-effectiveness.
- Die-cast reinforced leg sockets for enhanced stability.

### EST-3048

#### Technical Drawing



Model	Shipping Deminsions	Product Size	Width	Weight
EST-2424	26" L x 26" W x 5" H	24" D x 24" W x 26" H	24 inches	40 lbs
EST-2430	32" L x 26" W x 5" H	24" D x 30" W x 26" H	30 inches	45 lbs
EST-2436	38" L x 26" W x 5" H	24" D x 36" W x 26" H	36 inches	49 lbs
EST-2448	50" L x 26" W x 5" H	24" D x 48" W x 26" H	48 inches	60 lbs
EST-2460	62" L x 26" W x 5" H	24" D x 60" W x 26" H	60 inches	80 lbs
EST-3015	32" L x 18" W x 5" H	30" D x 15" W x 26" H	15 inches	37 lbs
EST-3018	32" L x 20" W x 5" H	30" D x 18" W x 26" H	18 inches	40 lbs
EST-3024	32" L x 26" W x 5" H	30" D x 24" W x 26" H	24 inches	48 lbs
EST-3030	32" L x 32" W x 5" H	30" D x 30" W x 26" H	30 inches	52 lbs
EST-3036	38" L x 32" W x 5" H	30" D x 36" W x 26" H	36 inches	57 lbs
EST-3048	50" L x 32" W x 5" H	30" D x 48" W x 26" H	48 inches	69 lbs
EST-3060	62" L x 32" W x 5" H	30" D x 60" W x 26" H	60 inches	75 lbs



## Stainless Steel Equipment Stand

### EST-3060

Size:	30" D x 60" W x 24" H
Weight	75 lbs
Width	60 inches
Shipping Size	62" L x 32" W x 5" H

### Equipment Stand, 30" x 60"

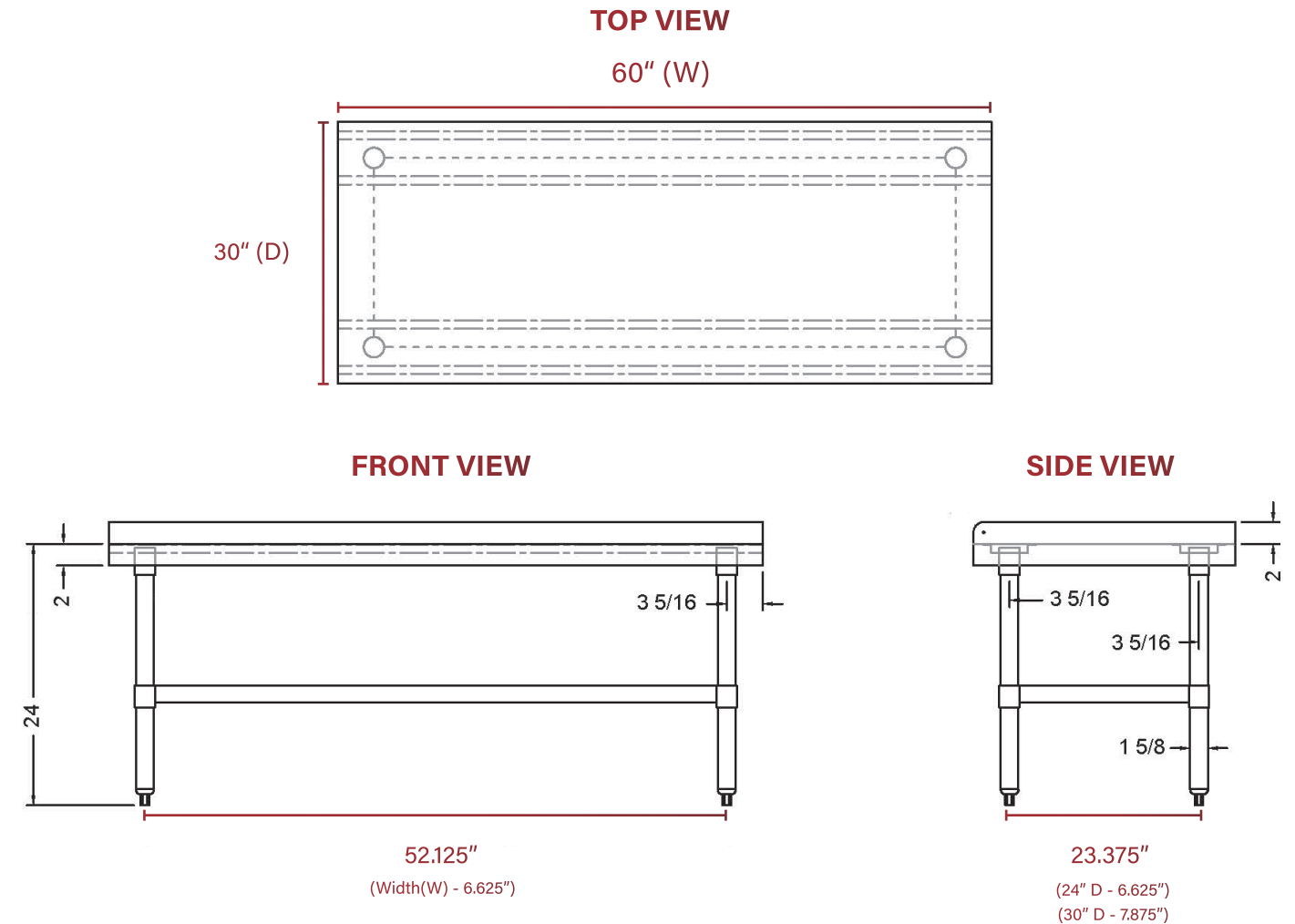
### Features



- ✓ 1.5" riser on three sides securely holds equipment in place.
- ✓ Heavy-duty, 18 gauge, Type 430 stainless steel top ensures long-lasting durability.
- ✓ Top is TIG welded for strength.
- ✓ Entire top surface is polished to a satin finish.
- ✓ Reinforced to exceed industry standards.
- ✓ Galvanized hat channels secured to the top with structural adhesive and weld studs.
- ✓ Welded gussets support hat sections.
- ✓ Hemmed edges for added strength and safety.
- ✓ Galvanized legs and undershelf offer durability and cost-effectiveness.
- ✓ Die-cast reinforced leg sockets for enhanced stability.

### EST-3060

#### Technical Drawing



Model	Shipping Deminsions	Product Size	Width	Weight
EST-2424	26" L x 26" W x 5" H	24" D x 24" W x 26" H	24 inches	40 lbs
EST-2430	32" L x 26" W x 5" H	24" D x 30" W x 26" H	30 inches	45 lbs
EST-2436	38" L x 26" W x 5" H	24" D x 36" W x 26" H	36 inches	49 lbs
EST-2448	50" L x 26" W x 5" H	24" D x 48" W x 26" H	48 inches	60 lbs
EST-2460	62" L x 26" W x 5" H	24" D x 60" W x 26" H	60 inches	80 lbs
EST-3015	32" L x 18" W x 5" H	30" D x 15" W x 26" H	15 inches	37 lbs
EST-3018	32" L x 20" W x 5" H	30" D x 18" W x 26" H	18 inches	40 lbs
EST-3024	32" L x 26" W x 5" H	30" D x 24" W x 26" H	24 inches	48 lbs
EST-3030	32" L x 32" W x 5" H	30" D x 30" W x 26" H	30 inches	52 lbs
EST-3036	38" L x 32" W x 5" H	30" D x 36" W x 26" H	36 inches	57 lbs
EST-3048	50" L x 32" W x 5" H	30" D x 48" W x 26" H	48 inches	69 lbs
EST-3060	62" L x 32" W x 5" H	30" D x 60" W x 26" H	60 inches	75 lbs

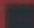




# COMMERCIAL GREASE INTERCEPTORS

ICE AGE REFRIGERATION INC

121 McLean Drive, Vancouver BC, Canada

 If the data and structure update, without notice, subject to material object.

# American Chef Grease Interceptors

### Standards & Certifications



## GT-50

Size:	33" W x 24.5" D x 21.75" H
Flow Rate:	50 gpm
Grease Cap. (lbs):	100 lbs
Efficiency:	93%
Liquid Capacity:	75 L
Weight:	151 lbs
Shipping Size:	32.68 x 22.83 x 22.44 inches

## GT-75

Size:	39.75" W x 30.75" D x 23" H
Flow Rate:	75 gpm
Grease Cap. (lbs):	150 lbs
Efficiency:	93%
Liquid Capacity:	215 L
Weight:	156 lbs
Shipping Size:	40.55 x 31.5 x 25.2 inches

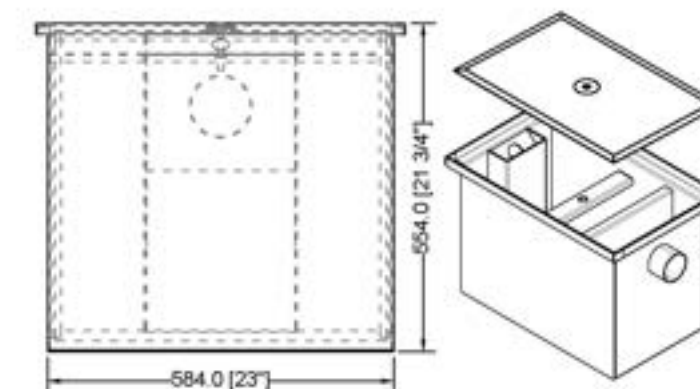
- Robust 11-gauge cold-rolled steel for enhanced durability and strength.
- The threaded inlet and outlet feature a 4-inch size for secure and reliable connections.

- Oven-cured and acid-resistant baked gray epoxy coating.
- Internal components are removable or designed for easy access, facilitating effortless cleaning.

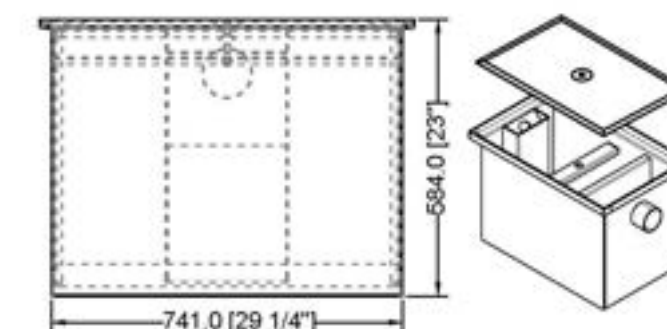


## Grease Interceptors

**GT-50**  
Technical Drawing



**GT-75**  
Technical Drawing



Project \_\_\_\_\_  
Engineer \_\_\_\_\_


Mechanical \_\_\_\_\_  
Representative \_\_\_\_\_



# COMMERCIAL HAND SINKS

ICE AGE REFRIGERATION INC

121 McLean Drive, Vancouver BC, Canada

 If the data and structure update, without notice, subject to material object.

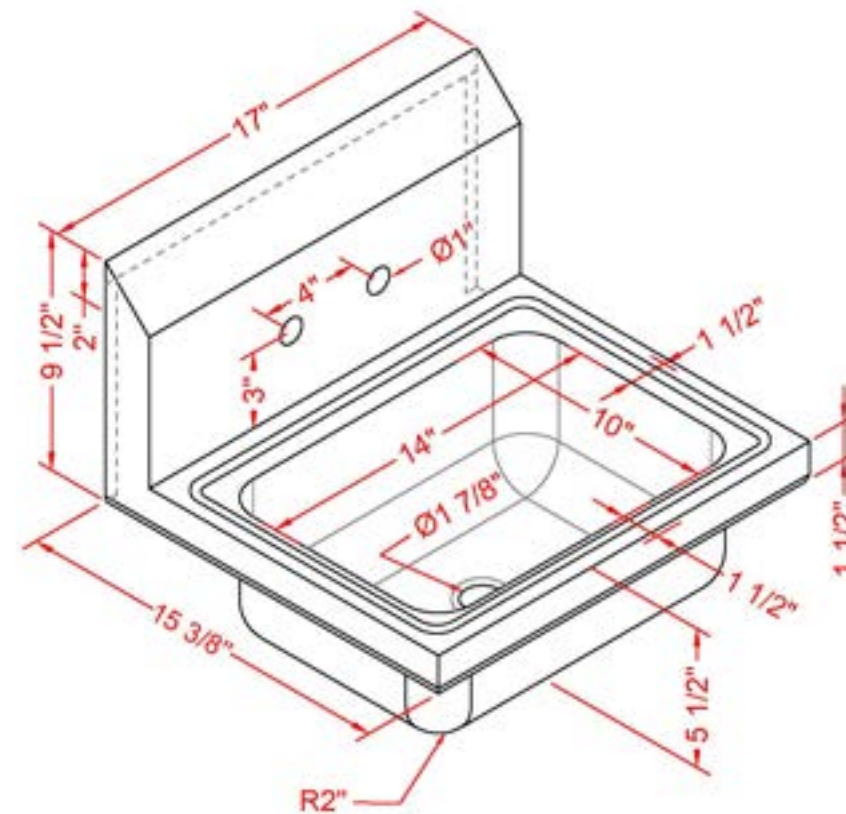


## American Chef Hand Sinks



### HS-17F

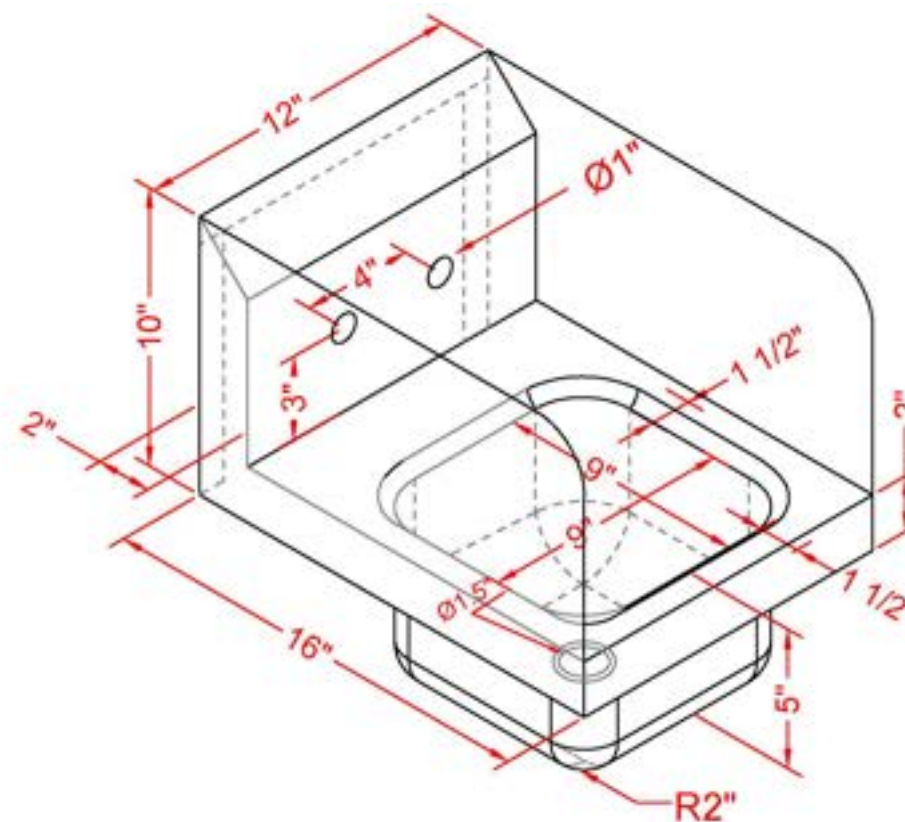
Size:	17" W x 15.325" D x 13.5" H
Bowl Size:	14" W x 10" D
Drain Area:	Center
Drain Size:	1 7/8"
Shipping Size:	18" W x 16" D x 14.5" H
Weight:	13 lbs



**HS-17F**  
Technical Drawing

### SHS-17F

Size:	12" W x 16" D x 13" H
Bowl Size:	9" W x 9" D
Drain Area:	Center
Drain Size:	1.5"
Shipping Size:	17" W x 13" D x 14" H
Weight:	14 lbs



**SHS-17F**  
Technical Drawing



- Made from 20GA 304 stainless steel with 18GA side splashes for long-lasting use.
- Includes gooseneck faucets and 1.5" drain baskets for easy setup.

- Space saver sink features additional side splashes
- Both are securely packaged in carton boxes for safe transportation.

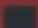
Model	Shipping Size	Product Size	Bowl Width	Bowl Depth	Drain Size	Weight
HS-17F	18" W x 16" D x 14.5" H	17" W x 15.325" D x 13.5" H	14"	10"	1 7/8"	13 lbs
SHS-17F	17" W x 13" D x 14" H	23.5" D x 38.5" W x 43" H	9"	9"	1.5"	14 lbs



# STAINLESS STEEL POLY TOP WORK TABLES

ICE AGE REFRIGERATION INC

121 McLean Drive, Vancouver BC, Canada

 If the data and structure update, without notice, subject to material object.



## Poly Top Work Table with Backsplash

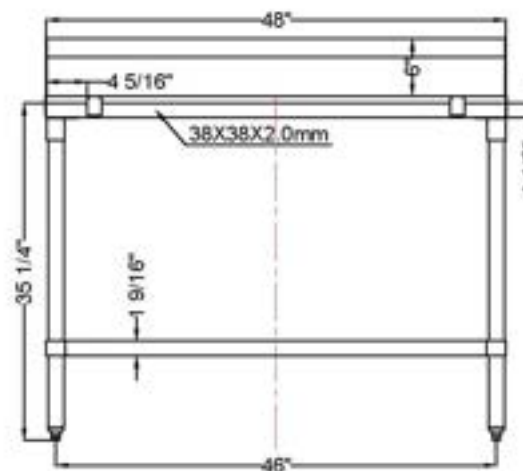
### PWTS-3048BK

Size:	30" D x 48" W x 37" H
Weight	72 lbs
Width	48 inches
Shipping Size	50" L x 31" W x 12" H

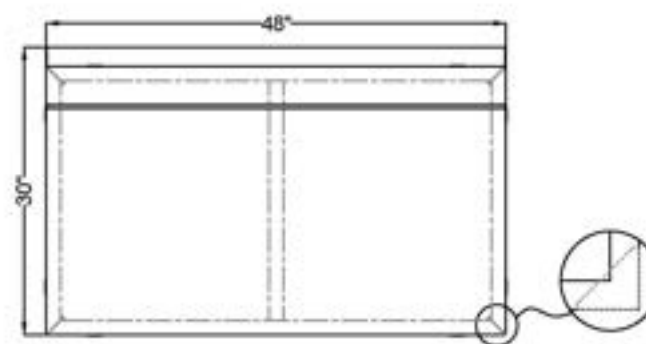
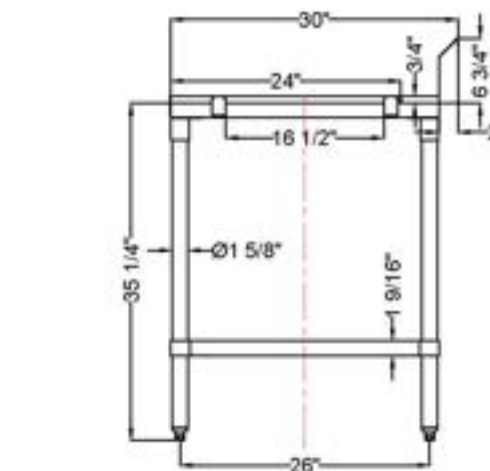
### PWTS-3048BK

#### Technical Drawing

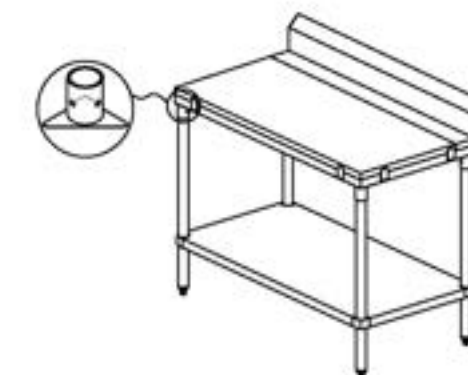
FRONT VIEW



SIDE VIEW



TOP VIEW



### Poly Top Work Table with Backsplash, 30"x48"

#### Features



- ✓ Adjustable ABS bullet feet for uneven floors
- ✓ Welded leg gussets for extra strength.
- ✓ Perfect for butchers and commercial kitchens.
- ✓ Stainless steel frame, legs, and under shelf.
- ✓ 6" Stainless steel backsplash.
- ✓ 3/4" Durable poly board.
- ✓ Shipped unassembled to save on cost and space.
- ✓ Welded tabs secure poly board in place.
- ✓ 1 5/8" Tubular 403 stainless steel legs.
- ✓ Removable poly board for easy cleaning.

Model	Shipping Deminions	Product Size	Width	Weight
PWTS-3048BK	50" L x 31" W x 12" H	30" D x 48" W x 37" H	48 inches	72 lbs
PWTS-3060BK	62" L x 31" W x 12" H	30" D x 60" W x 37" H	60 inches	77 lbs
PWTS-3072BK	74" L x 31" W x 12" H	30" D x 72" W x 37" H	72 inches	82 lbs





## Poly Top Work Table with Backsplash

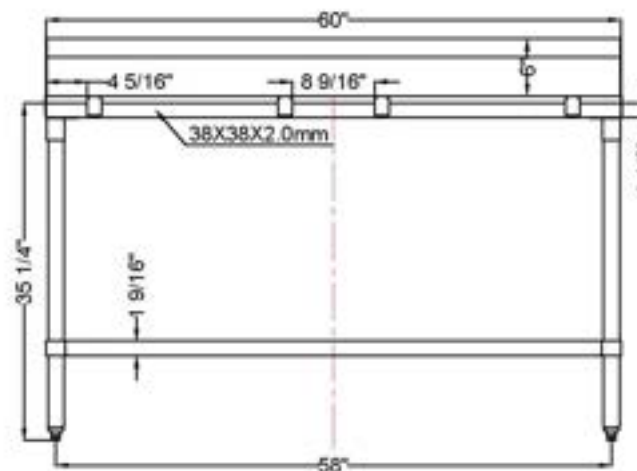
### PWTS-3060BK

Size:	30" D x 60" W x 37" H
Weight	77 lbs
Width	60 inches
Shipping Size	62" L x 31" W x 12" H

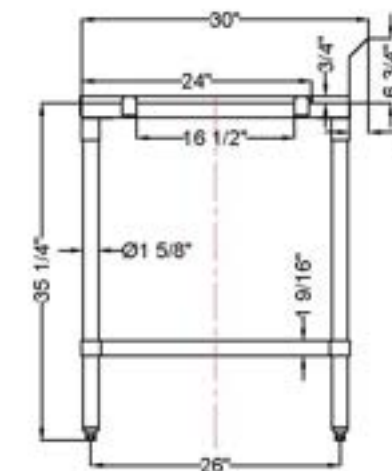
### PWTS-3060BK

#### Technical Drawing

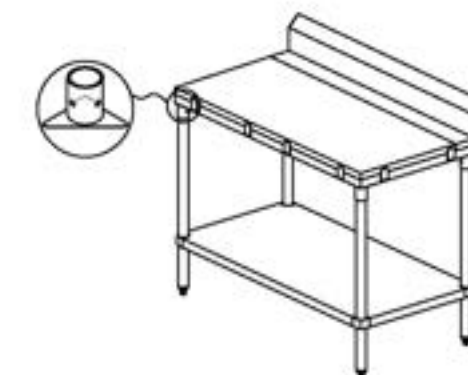
FRONT VIEW



SIDE VIEW



TOP VIEW



### Poly Top Work Table with Backsplash, 30"x60"

#### Features



- ✓ Adjustable ABS bullet feet for uneven floors
- ✓ Welded leg gussets for extra strength.
- ✓ Perfect for butchers and commercial kitchens.
- ✓ Stainless steel frame, legs, and under shelf.
- ✓ 6" Stainless steel backsplash.
- ✓ 3/4" Durable poly board.
- ✓ Shipped unassembled to save on cost and space.
- ✓ Welded tabs secure poly board in place.
- ✓ 1 5/8" Tubular 403 stainless steel legs.
- ✓ Removable poly board for easy cleaning.

Model	Shipping Demimions	Product Size	Width	Weight
PWTS-3048BK	50" L x 31" W x 12" H	30" D x 48" W x 37" H	48 inches	72 lbs
PWTS-3060BK	62" L x 31" W x 12" H	30" D x 60" W x 37" H	60 inches	77 lbs
PWTS-3072BK	74" L x 31" W x 12" H	30" D x 72" W x 37" H	72 inches	82 lbs



## Poly Top Work Table with Backsplash

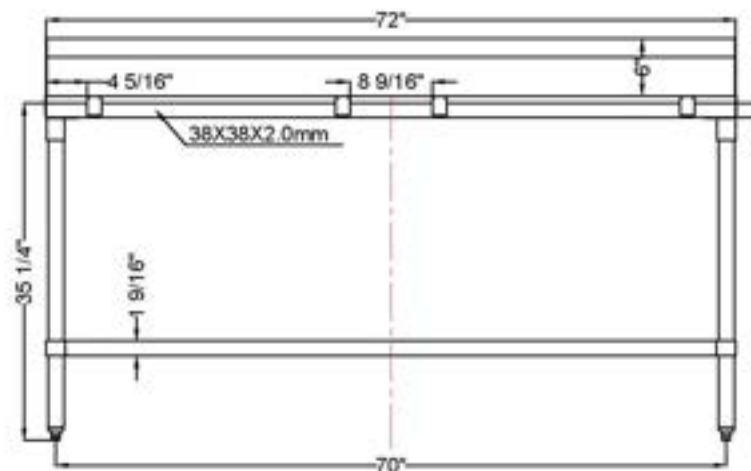
### PWTS-3072BK

Size:	30" D x 72" W x 37" H
Weight	82 lbs
Width	72 inches
Shipping Size	74" L x 31" W x 12" H

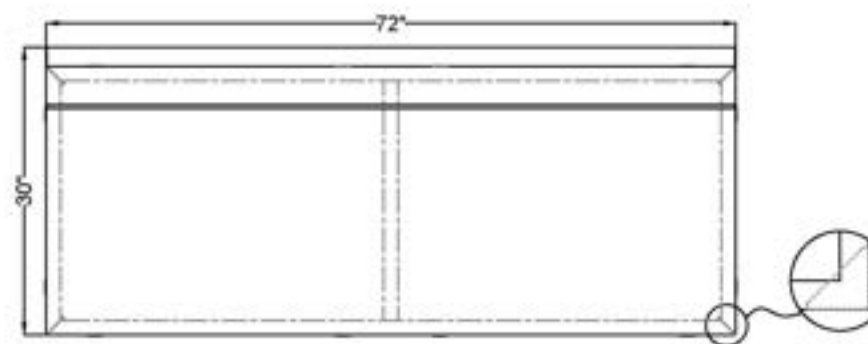
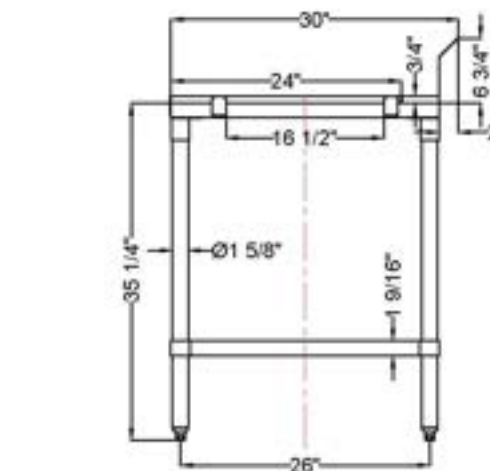
### PWTS-3072BK

#### Technical Drawing

FRONT VIEW



SIDE VIEW



TOP VIEW



### Poly Top Work Table with Backsplash, 30"x72"

#### Features



- ✓ Adjustable ABS bullet feet for uneven floors
- ✓ Welded leg gussets for extra strength.
- ✓ Perfect for butchers and commercial kitchens.
- ✓ Stainless steel frame, legs, and under shelf.
- ✓ 6" Stainless steel backsplash.
- ✓ 3/4" Durable poly board.
- ✓ Shipped unassembled to save on cost and space.
- ✓ Welded tabs secure poly board in place.
- ✓ 1 5/8" Tubular 403 stainless steel legs.
- ✓ Removable poly board for easy cleaning.

Model	Shipping Deminsions	Product Size	Width	Weight
PWTS-3048BK	50" L x 31" W x 12" H	30" D x 48" W x 37" H	48 inches	72 lbs
PWTS-3060BK	62" L x 31" W x 12" H	30" D x 60" W x 37" H	60 inches	77 lbs
PWTS-3072BK	74" L x 31" W x 12" H	30" D x 72" W x 37" H	72 inches	82 lbs



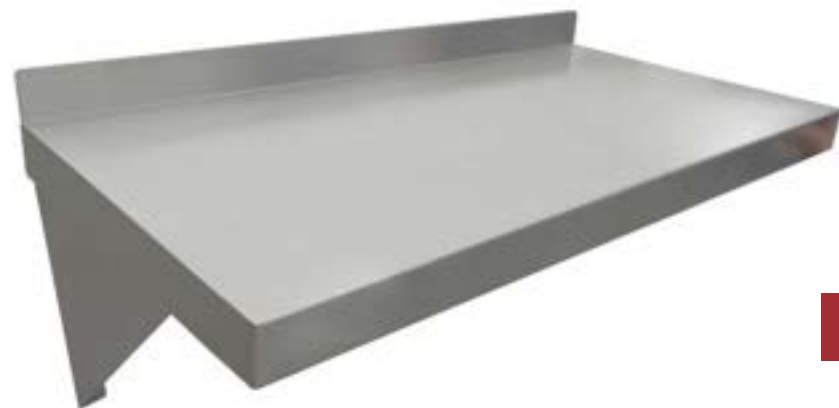
# STAINLESS STEEL WALL MOUNT SHELVES

ICE AGE REFRIGERATION INC

121 McLean Drive, Vancouver BC, Canada

If the data and structure update, without notice, subject to material object.





## Stainless Steel Wall Mount Shelf

WSS-1224

Size:	12" D x 24" W x 10" H
Weight	10 lbs
Width	24 inches
Shipping Size	26" L x 13" W x 4" H

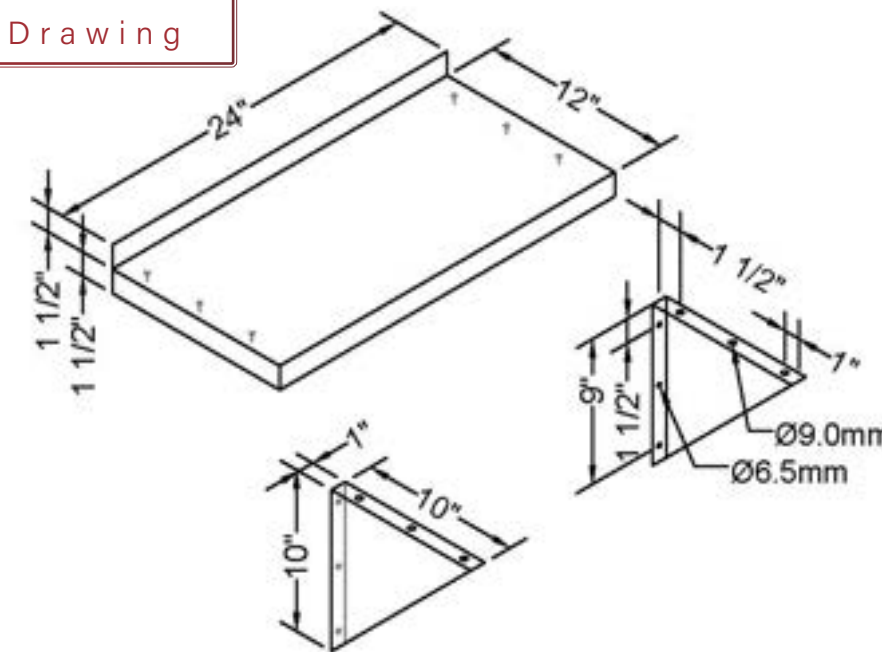
### Wall Mount Shelf, 12"x24"

#### Features



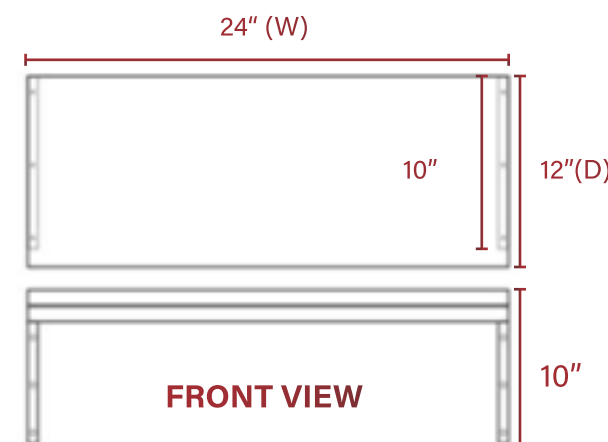
- ✓ Constructed from 18-gauge, Type 430 stainless steel for superior strength.
- ✓ Simple to assemble and install.
- ✓ Robust and safe for heavy-duty use.
- ✓ Reinforced steel construction surpasses industry standards.
- ✗ Mounting hardware for wall installation not included.
- ✓ Additional center support included for units 72" and longer.
- ✓ Corrosion-resistant for extended lifespan in various environments.
- ✓ Smooth, easy-to-clean surface for hygiene and maintenance.
- ✓ Designed to hold significant weight, ideal for commercial kitchens.

### WSS-1224 Technical Drawing



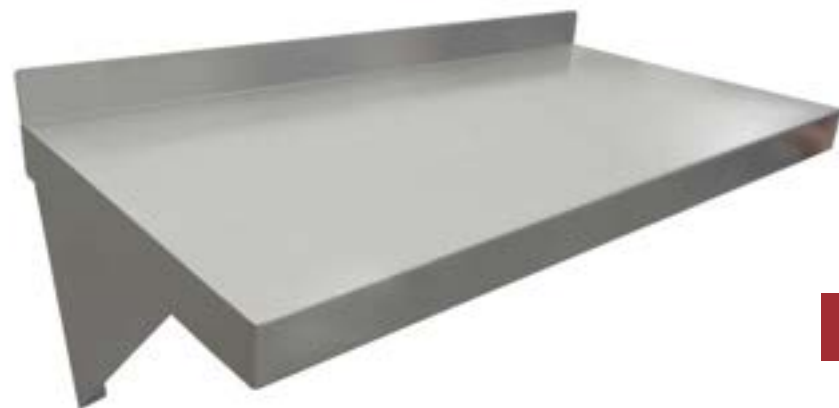
TOP VIEW

BRACKET



FRONT VIEW

Model	Shipping Demimensions	Product Size	Width	Weight
WSS-1624	26" L x 17" W x 4" H	16" D x 24" W x 13" H	24 inches	12 lbs
WSS-1630	32" L x 17" W x 4" H	16" D x 30" W x 13" H	30 inches	14 lbs
WSS-1636	38" L x 17" W x 4" H	16" D x 36" W x 13" H	36 inches	16 lbs
WSS-1648	50" L x 17" W x 4" H	16" D x 48" W x 13" H	48 inches	18 lbs
WSS-1660	62" L x 17" W x 4" H	16" D x 60" W x 13" H	60 inches	20 lbs
WSS-1672	74" L x 17" W x 4" H	16" D x 72" W x 13" H	72 inches	22 lbs
WSS-1684	86" L x 17" W x 4" H	16" D x 84" W x 13" H	84 inches	24 lbs
WSS-1696	98" L x 17" W x 4" H	16" D x 96" W x 13" H	96 inches	26 lbs
WSS-16108	110" L x 17" W x 4" H	16" D x 108" W x 13" H	108 inches	28 lbs
WSS-16120	122" L x 17" W x 4" H	16" D x 120" W x 13" H	120 inches	30 lbs



## Stainless Steel Wall Mount Shelf

WSS-1230

Size:	12" D x 30" W x 10" H
Weight	12 lbs
Width	30 inches
Shipping Size	32" L x 13" W x 4" H

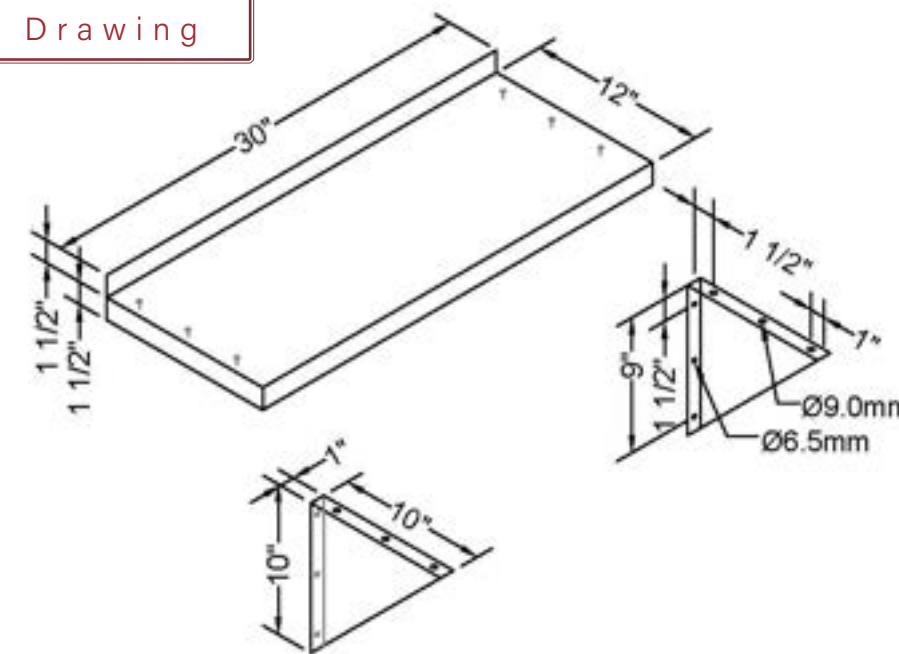
### Wall Mount Shelf, 12"x30"

#### Features



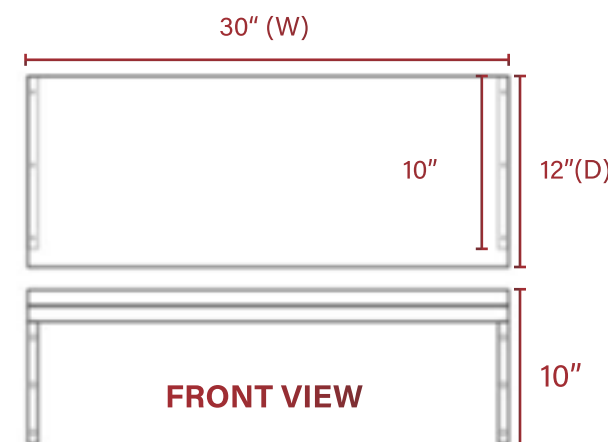
- ✓ Constructed from 18-gauge, Type 430 stainless steel for superior strength.
- ✓ Simple to assemble and install.
- ✓ Robust and safe for heavy-duty use.
- ✓ Reinforced steel construction surpasses industry standards.
- ✗ Mounting hardware for wall installation not included.
- ✓ Additional center support included for units 72" and longer.
- ✓ Corrosion-resistant for extended lifespan in various environments.
- ✓ Smooth, easy-to-clean surface for hygiene and maintenance.
- ✓ Designed to hold significant weight, ideal for commercial kitchens.

### WSS-1230 Technical Drawing



TOP VIEW

BRACKET



Model	Shipping Demimensions	Product Size	Width	Weight
WSS-1624	26" L x 17" W x 4" H	16" D x 24" W x 13" H	24 inches	12 lbs
WSS-1630	32" L x 17" W x 4" H	16" D x 30" W x 13" H	30 inches	14 lbs
WSS-1636	38" L x 17" W x 4" H	16" D x 36" W x 13" H	36 inches	16 lbs
WSS-1648	50" L x 17" W x 4" H	16" D x 48" W x 13" H	48 inches	18 lbs
WSS-1660	62" L x 17" W x 4" H	16" D x 60" W x 13" H	60 inches	20 lbs
WSS-1672	74" L x 17" W x 4" H	16" D x 72" W x 13" H	72 inches	22 lbs
WSS-1684	86" L x 17" W x 4" H	16" D x 84" W x 13" H	84 inches	24 lbs
WSS-1696	98" L x 17" W x 4" H	16" D x 96" W x 13" H	96 inches	26 lbs
WSS-16108	110" L x 17" W x 4" H	16" D x 108" W x 13" H	108 inches	28 lbs
WSS-16120	122" L x 17" W x 4" H	16" D x 120" W x 13" H	120 inches	30 lbs



## Stainless Steel Wall Mount Shelf

WSS-1236

Size:	12" D x 36" W x 10" H
Weight	14 lbs
Width	36 inches
Shipping Size	38" L x 13" W x 4" H

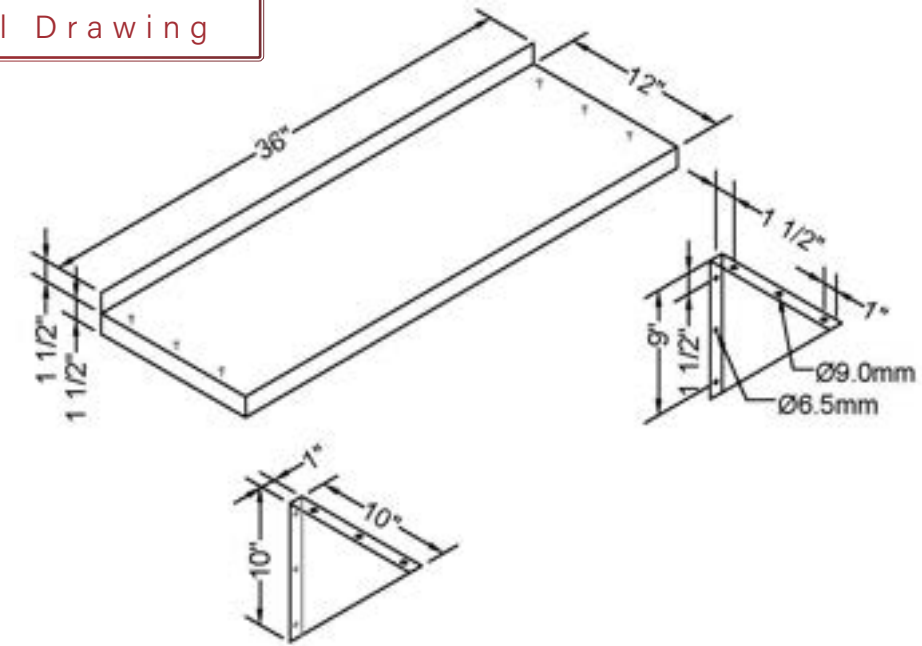
### Wall Mount Shelf, 12"x36"

#### Features



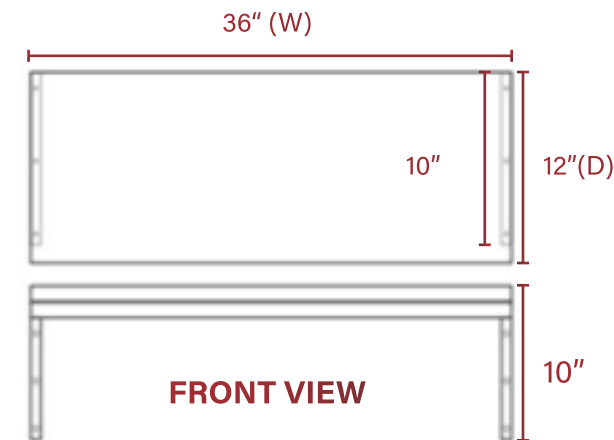
- ✓ Constructed from 18-gauge, Type 430 stainless steel for superior strength.
- ✓ Simple to assemble and install.
- ✓ Robust and safe for heavy-duty use.
- ✓ Reinforced steel construction surpasses industry standards.
- ✗ Mounting hardware for wall installation not included.
- ✓ Additional center support included for units 72" and longer.
- ✓ Corrosion-resistant for extended lifespan in various environments.
- ✓ Smooth, easy-to-clean surface for hygiene and maintenance.
- ✓ Designed to hold significant weight, ideal for commercial kitchens.

### WSS-1236 Technical Drawing



TOP VIEW

BRACKET



FRONT VIEW

Model	Shipping Deminsions	Product Size	Width	Weight
WSS-1624	26" L x 17" W x 4" H	16" D x 24" W x 13" H	24 inches	12 lbs
WSS-1630	32" L x 17" W x 4" H	16" D x 30" W x 13" H	30 inches	14 lbs
WSS-1636	38" L x 17" W x 4" H	16" D x 36" W x 13" H	36 inches	16 lbs
WSS-1648	50" L x 17" W x 4" H	16" D x 48" W x 13" H	48 inches	18 lbs
WSS-1660	62" L x 17" W x 4" H	16" D x 60" W x 13" H	60 inches	20 lbs
WSS-1672	74" L x 17" W x 4" H	16" D x 72" W x 13" H	72 inches	22 lbs
WSS-1684	86" L x 17" W x 4" H	16" D x 84" W x 13" H	84 inches	24 lbs
WSS-1696	98" L x 17" W x 4" H	16" D x 96" W x 13" H	96 inches	26 lbs
WSS-16108	110" L x 17" W x 4" H	16" D x 108" W x 13" H	108 inches	28 lbs
WSS-16120	122" L x 17" W x 4" H	16" D x 120" W x 13" H	120 inches	30 lbs



# Stainless Steel Wall Mount Shelf

WSS-1248



Size:	12" D x 48" W x 10" H
Weight	16 lbs
Width	48 inches
Shipping Size	50" L x 13" W x 4" H

## Wall Mount Shelf, 12"x48"

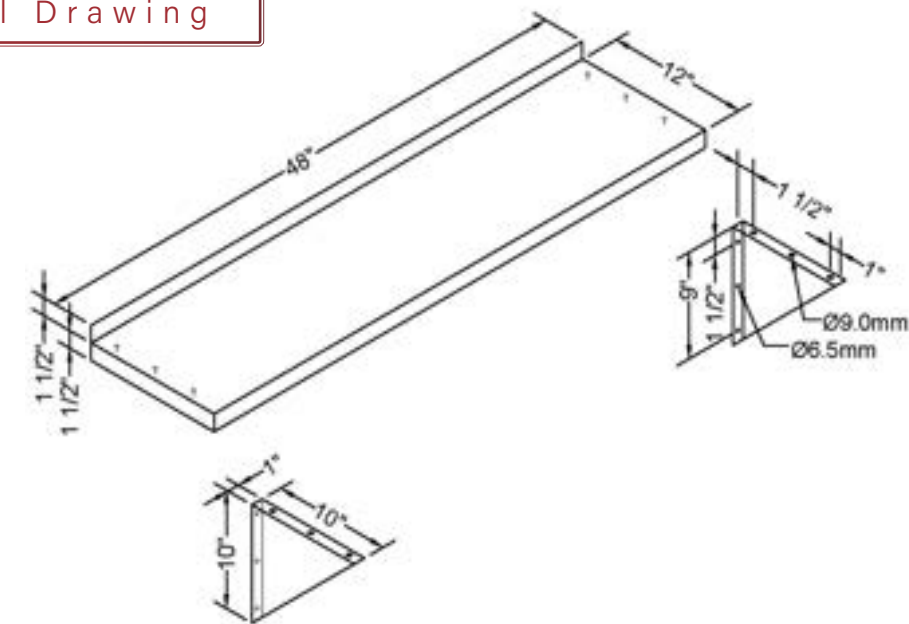
### Features



- ✓ Constructed from 18-gauge, Type 430 stainless steel for superior strength.
- ✓ Simple to assemble and install.
- ✓ Robust and safe for heavy-duty use.
- ✓ Reinforced steel construction surpasses industry standards.
- ✗ Mounting hardware for wall installation not included.
- ✓ Additional center support included for units 72" and longer.
- ✓ Corrosion-resistant for extended lifespan in various environments.
- ✓ Smooth, easy-to-clean surface for hygiene and maintenance.
- ✓ Designed to hold significant weight, ideal for commercial kitchens.

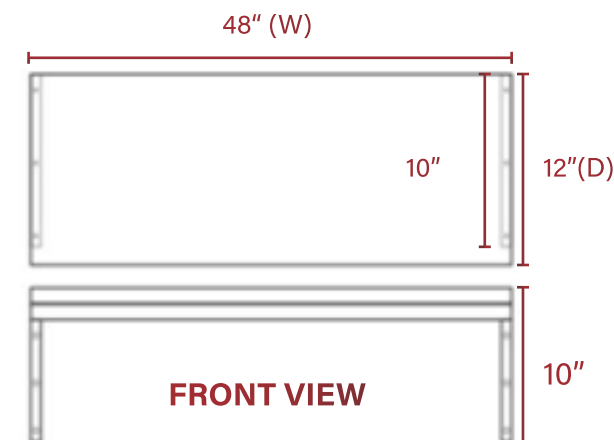
WSS-1248

Technical Drawing



TOP VIEW

BRACKET



FRONT VIEW

Model	Shipping Demimensions	Product Size	Width	Weight
WSS-1624	26" L x 17" W x 4" H	16" D x 24" W x 13" H	24 inches	12 lbs
WSS-1630	32" L x 17" W x 4" H	16" D x 30" W x 13" H	30 inches	14 lbs
WSS-1636	38" L x 17" W x 4" H	16" D x 36" W x 13" H	36 inches	16 lbs
WSS-1648	50" L x 17" W x 4" H	16" D x 48" W x 13" H	48 inches	18 lbs
WSS-1660	62" L x 17" W x 4" H	16" D x 60" W x 13" H	60 inches	20 lbs
WSS-1672	74" L x 17" W x 4" H	16" D x 72" W x 13" H	72 inches	22 lbs
WSS-1684	86" L x 17" W x 4" H	16" D x 84" W x 13" H	84 inches	24 lbs
WSS-1696	98" L x 17" W x 4" H	16" D x 96" W x 13" H	96 inches	26 lbs
WSS-16108	110" L x 17" W x 4" H	16" D x 108" W x 13" H	108 inches	28 lbs
WSS-16120	122" L x 17" W x 4" H	16" D x 120" W x 13" H	120 inches	30 lbs

# Stainless Steel Wall Mount Shelf



## WSS-1260

Size:	12" D x 60" W x 10" H
Weight	18 lbs
Width	60 inches
Shipping Size	62" L x 13" W x 4" H

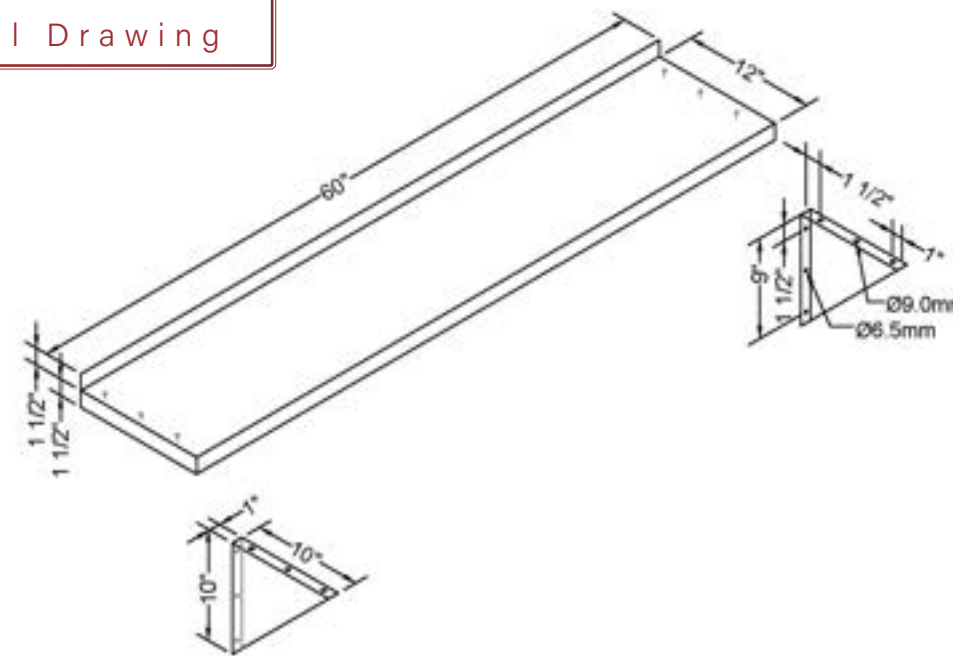
### Wall Mount Shelf, 12"x60"

### Features



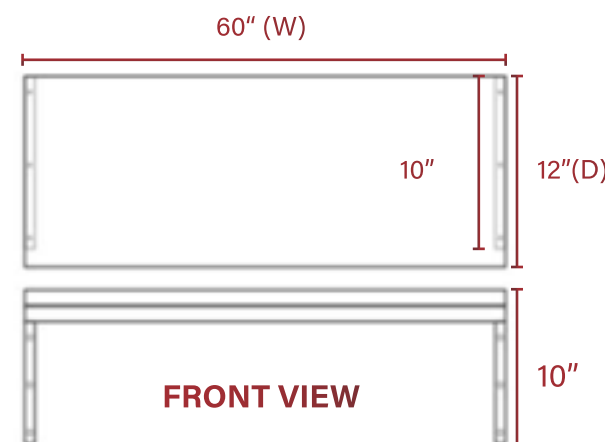
- ✓ Constructed from 18-gauge, Type 430 stainless steel for superior strength.
- ✓ Simple to assemble and install.
- ✓ Robust and safe for heavy-duty use.
- ✓ Reinforced steel construction surpasses industry standards.
- ✗ Mounting hardware for wall installation not included.
- ✓ Additional center support included for units 72" and longer.
- ✓ Corrosion-resistant for extended lifespan in various environments.
- ✓ Smooth, easy-to-clean surface for hygiene and maintenance.
- ✓ Designed to hold significant weight, ideal for commercial kitchens.

## WSS-1260 Technical Drawing



TOP VIEW

BRACKET



FRONT VIEW

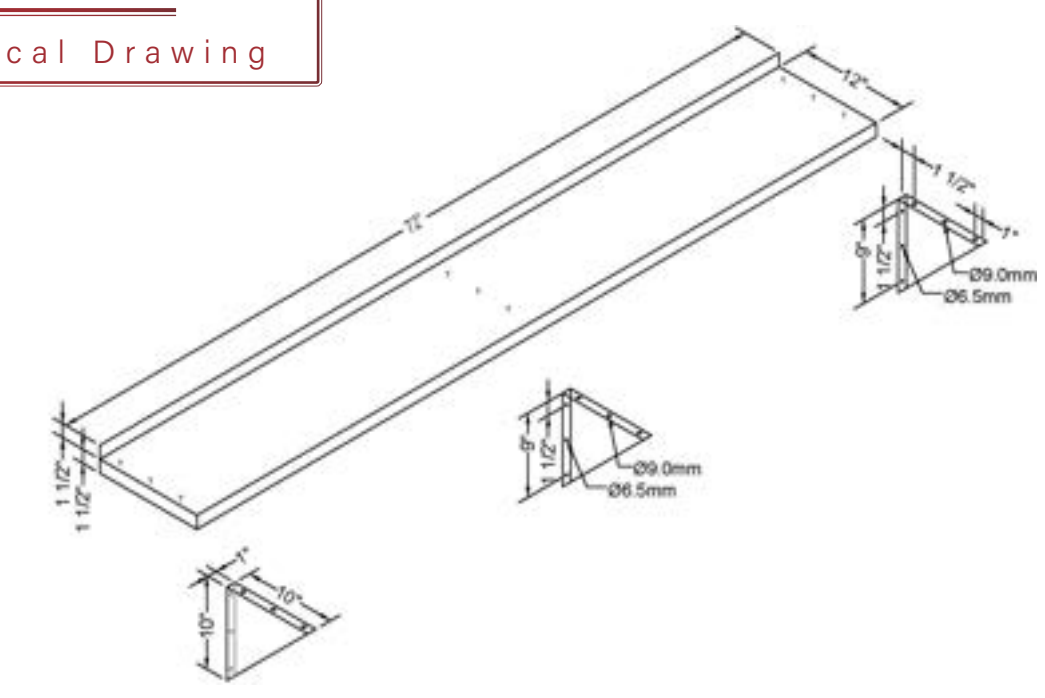
Model	Shipping Demimensions	Product Size	Width	Weight
WSS-1624	26" L x 17" W x 4" H	16" D x 24" W x 13" H	24 inches	12 lbs
WSS-1630	32" L x 17" W x 4" H	16" D x 30" W x 13" H	30 inches	14 lbs
WSS-1636	38" L x 17" W x 4" H	16" D x 36" W x 13" H	36 inches	16 lbs
WSS-1648	50" L x 17" W x 4" H	16" D x 48" W x 13" H	48 inches	18 lbs
WSS-1660	62" L x 17" W x 4" H	16" D x 60" W x 13" H	60 inches	20 lbs
WSS-1672	74" L x 17" W x 4" H	16" D x 72" W x 13" H	72 inches	22 lbs
WSS-1684	86" L x 17" W x 4" H	16" D x 84" W x 13" H	84 inches	24 lbs
WSS-1696	98" L x 17" W x 4" H	16" D x 96" W x 13" H	96 inches	26 lbs
WSS-16108	110" L x 17" W x 4" H	16" D x 108" W x 13" H	108 inches	28 lbs
WSS-16120	122" L x 17" W x 4" H	16" D x 120" W x 13" H	120 inches	30 lbs

# Stainless Steel Wall Mount Shelf

WSS-1272

Size:	12" D x 72" W x 10" H
Weight	20 lbs
Width	72 inches
Shipping Size	74" L x 13" W x 4" H

WSS-1272  
Technical Drawing



TOP VIEW

BRACKET

72" (W)

10" (Depth(D) - 2")

FRONT VIEW

## Wall Mount Shelf, 12"x72"

### Features



- ✓ Constructed from 18-gauge, Type 430 stainless steel for superior strength.
- ✓ Simple to assemble and install.
- ✓ Robust and safe for heavy-duty use.
- ✓ Reinforced steel construction surpasses industry standards.
- ✗ Mounting hardware for wall installation not included.
- ✓ Additional center support included for units 72" and longer.
- ✓ Corrosion-resistant for extended lifespan in various environments.
- ✓ Smooth, easy-to-clean surface for hygiene and maintenance.
- ✓ Designed to hold significant weight, ideal for commercial kitchens.

Model	Shipping Demimensions	Product Size	Width	Weight
WSS-1624	26" L x 17" W x 4" H	16" D x 24" W x 13" H	24 inches	12 lbs
WSS-1630	32" L x 17" W x 4" H	16" D x 30" W x 13" H	30 inches	14 lbs
WSS-1636	38" L x 17" W x 4" H	16" D x 36" W x 13" H	36 inches	16 lbs
WSS-1648	50" L x 17" W x 4" H	16" D x 48" W x 13" H	48 inches	18 lbs
WSS-1660	62" L x 17" W x 4" H	16" D x 60" W x 13" H	60 inches	20 lbs
WSS-1672	74" L x 17" W x 4" H	16" D x 72" W x 13" H	72 inches	22 lbs
WSS-1684	86" L x 17" W x 4" H	16" D x 84" W x 13" H	84 inches	24 lbs
WSS-1696	98" L x 17" W x 4" H	16" D x 96" W x 13" H	96 inches	26 lbs
WSS-16108	110" L x 17" W x 4" H	16" D x 108" W x 13" H	108 inches	28 lbs
WSS-16120	122" L x 17" W x 4" H	16" D x 120" W x 13" H	120 inches	30 lbs

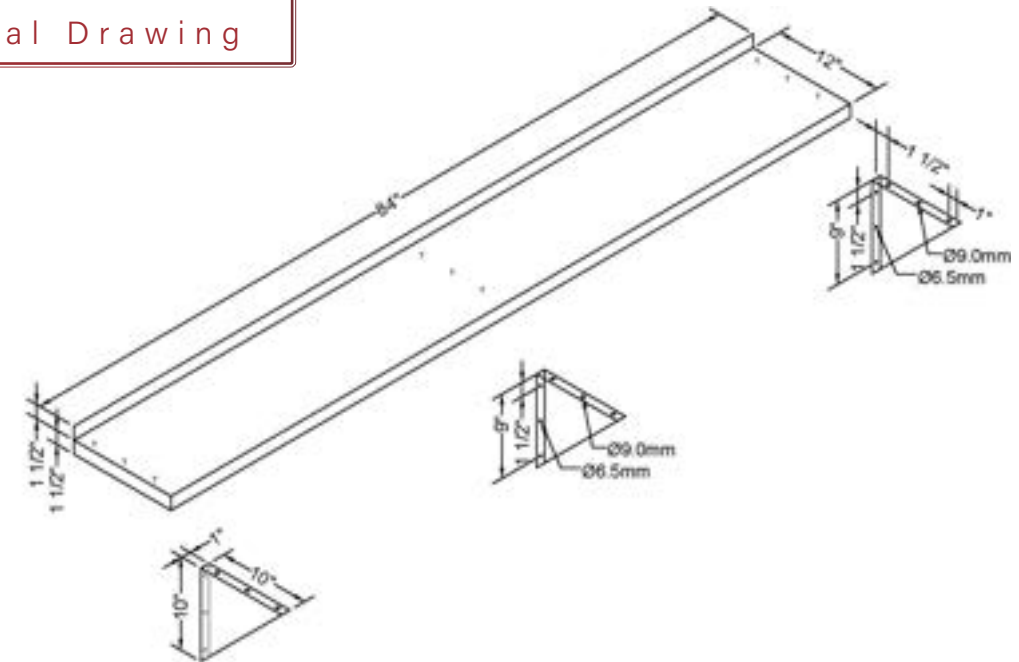


# Stainless Steel Wall Mount Shelf

WSS-1284

Size:	12" D x 84" W x 10" H
Weight	22 lbs
Width	84 inches
Shipping Size	86" L x 13" W x 4" H

WSS-1284  
Technical Drawing



TOP VIEW

BRACKET

84" (W)

10"

12"(D)

10"  
(Depth(D) - 2")

FRONT VIEW

10"

## Wall Mount Shelf, 12"x84"

### Features



- ✓ Constructed from 18-gauge, Type 430 stainless steel for superior strength.
- ✓ Simple to assemble and install.
- ✓ Robust and safe for heavy-duty use.
- ✓ Reinforced steel construction surpasses industry standards.
- ✗ Mounting hardware for wall installation not included.
- ✓ Additional center support included for units 72" and longer.
- ✓ Corrosion-resistant for extended lifespan in various environments.
- ✓ Smooth, easy-to-clean surface for hygiene and maintenance.
- ✓ Designed to hold significant weight, ideal for commercial kitchens.

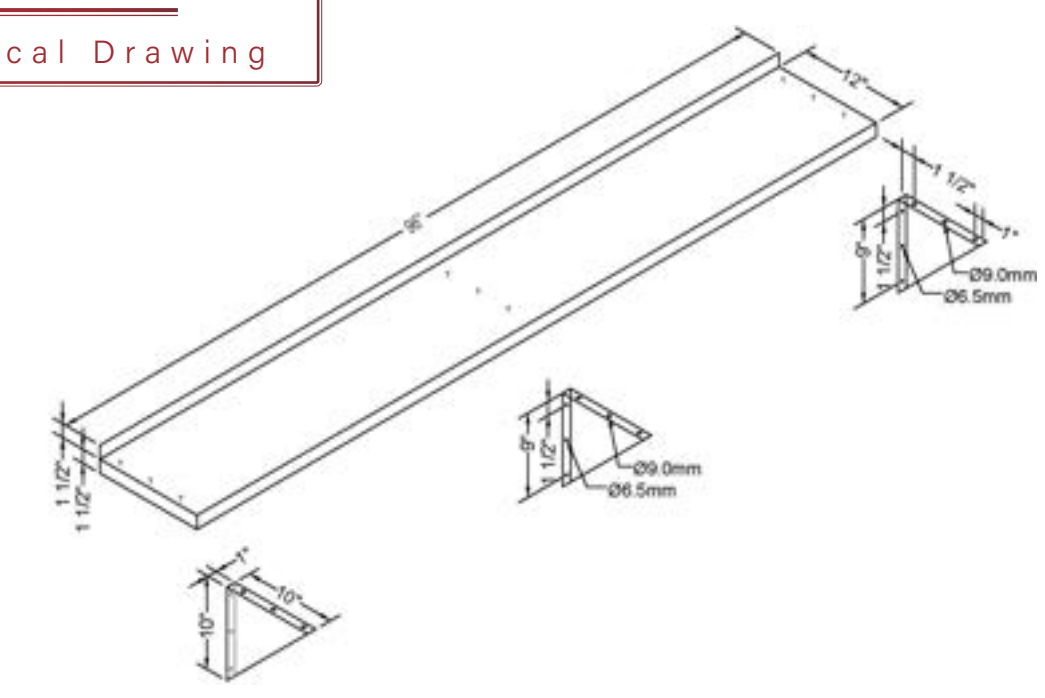
Model	Shipping Demimensions	Product Size	Width	Weight
WSS-1624	26" L x 17" W x 4" H	16" D x 24" W x 13" H	24 inches	12 lbs
WSS-1630	32" L x 17" W x 4" H	16" D x 30" W x 13" H	30 inches	14 lbs
WSS-1636	38" L x 17" W x 4" H	16" D x 36" W x 13" H	36 inches	16 lbs
WSS-1648	50" L x 17" W x 4" H	16" D x 48" W x 13" H	48 inches	18 lbs
WSS-1660	62" L x 17" W x 4" H	16" D x 60" W x 13" H	60 inches	20 lbs
WSS-1672	74" L x 17" W x 4" H	16" D x 72" W x 13" H	72 inches	22 lbs
WSS-1684	86" L x 17" W x 4" H	16" D x 84" W x 13" H	84 inches	24 lbs
WSS-1696	98" L x 17" W x 4" H	16" D x 96" W x 13" H	96 inches	26 lbs
WSS-16108	110" L x 17" W x 4" H	16" D x 108" W x 13" H	108 inches	28 lbs
WSS-16120	122" L x 17" W x 4" H	16" D x 120" W x 13" H	120 inches	30 lbs

# Stainless Steel Wall Mount Shelf

WSS-1296

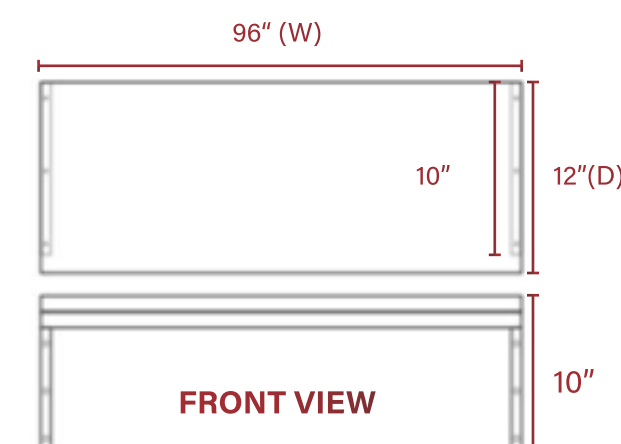
Size:	12" D x 96" W x 10" H
Weight	24 lbs
Width	96 inches
Shipping Size	98" L x 13" W x 4" H

WSS-1296  
Technical Drawing

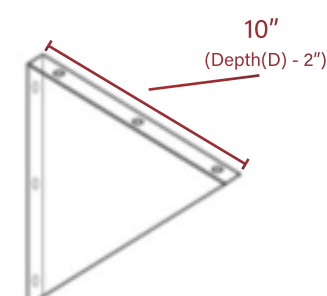


TOP VIEW

BRACKET



FRONT VIEW



## Wall Mount Shelf, 12"x96"

### Features



- ✓ Constructed from 18-gauge, Type 430 stainless steel for superior strength.
- ✓ Simple to assemble and install.
- ✓ Robust and safe for heavy-duty use.
- ✓ Reinforced steel construction surpasses industry standards.
- ✗ Mounting hardware for wall installation not included.
- ✓ Additional center support included for units 72" and longer.
- ✓ Corrosion-resistant for extended lifespan in various environments.
- ✓ Smooth, easy-to-clean surface for hygiene and maintenance.
- ✓ Designed to hold significant weight, ideal for commercial kitchens.

Model	Shipping Demimensions	Product Size	Width	Weight
WSS-1624	26" L x 17" W x 4" H	16" D x 24" W x 13" H	24 inches	12 lbs
WSS-1630	32" L x 17" W x 4" H	16" D x 30" W x 13" H	30 inches	14 lbs
WSS-1636	38" L x 17" W x 4" H	16" D x 36" W x 13" H	36 inches	16 lbs
WSS-1648	50" L x 17" W x 4" H	16" D x 48" W x 13" H	48 inches	18 lbs
WSS-1660	62" L x 17" W x 4" H	16" D x 60" W x 13" H	60 inches	20 lbs
WSS-1672	74" L x 17" W x 4" H	16" D x 72" W x 13" H	72 inches	22 lbs
WSS-1684	86" L x 17" W x 4" H	16" D x 84" W x 13" H	84 inches	24 lbs
WSS-1696	98" L x 17" W x 4" H	16" D x 96" W x 13" H	96 inches	26 lbs
WSS-16108	110" L x 17" W x 4" H	16" D x 108" W x 13" H	108 inches	28 lbs
WSS-16120	122" L x 17" W x 4" H	16" D x 120" W x 13" H	120 inches	30 lbs

# Stainless Steel Wall Mount Shelf

WSS-12108



Size:	12" D x 108" W x 10" H
Weight	26 lbs
Width	108 inches
Shipping Size	110" L x 13" W x 4" H

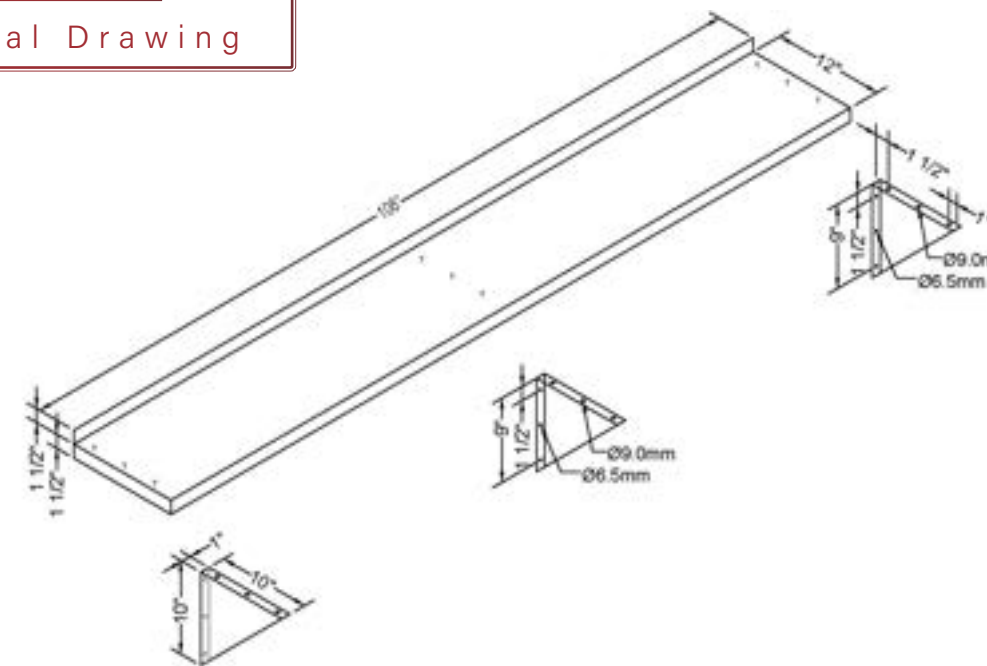
## Wall Mount Shelf, 12"x108"

### Features



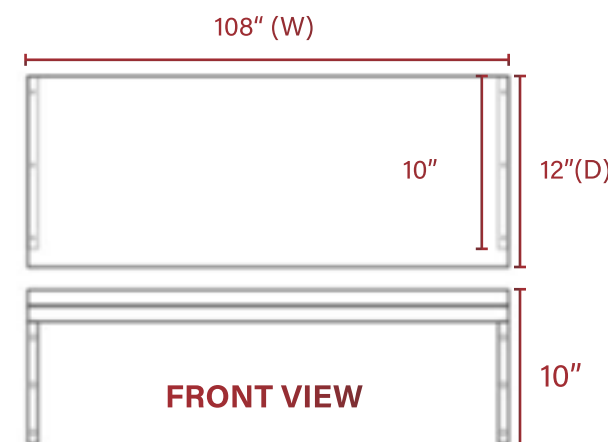
- ✓ Constructed from 18-gauge, Type 430 stainless steel for superior strength.
- ✓ Simple to assemble and install.
- ✓ Robust and safe for heavy-duty use.
- ✓ Reinforced steel construction surpasses industry standards.
- ✗ Mounting hardware for wall installation not included.
- ✓ Additional center support included for units 72" and longer.
- ✓ Corrosion-resistant for extended lifespan in various environments.
- ✓ Smooth, easy-to-clean surface for hygiene and maintenance.
- ✓ Designed to hold significant weight, ideal for commercial kitchens.

### WSS-12108 Technical Drawing



TOP VIEW

BRACKET



FRONT VIEW

Model	Shipping Demimensions	Product Size	Width	Weight
WSS-1624	26" L x 17" W x 4" H	16" D x 24" W x 13" H	24 inches	12 lbs
WSS-1630	32" L x 17" W x 4" H	16" D x 30" W x 13" H	30 inches	14 lbs
WSS-1636	38" L x 17" W x 4" H	16" D x 36" W x 13" H	36 inches	16 lbs
WSS-1648	50" L x 17" W x 4" H	16" D x 48" W x 13" H	48 inches	18 lbs
WSS-1660	62" L x 17" W x 4" H	16" D x 60" W x 13" H	60 inches	20 lbs
WSS-1672	74" L x 17" W x 4" H	16" D x 72" W x 13" H	72 inches	22 lbs
WSS-1684	86" L x 17" W x 4" H	16" D x 84" W x 13" H	84 inches	24 lbs
WSS-1696	98" L x 17" W x 4" H	16" D x 96" W x 13" H	96 inches	26 lbs
WSS-16108	110" L x 17" W x 4" H	16" D x 108" W x 13" H	108 inches	28 lbs
WSS-16120	122" L x 17" W x 4" H	16" D x 120" W x 13" H	120 inches	30 lbs

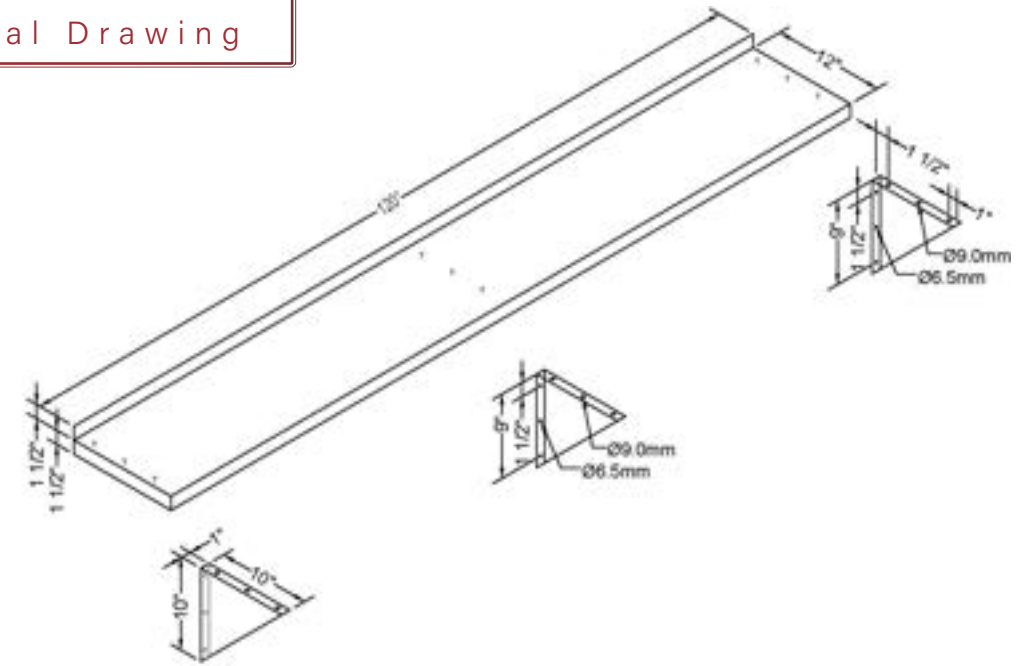


# Stainless Steel Wall Mount Shelf

## WSS-12120

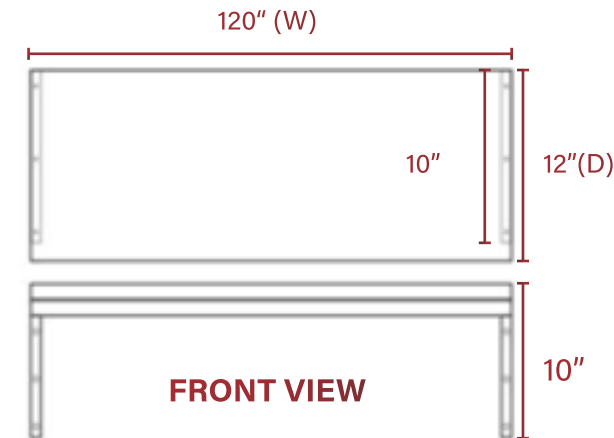
Size:	12" D x 120" W x 10" H
Weight	28 lbs
Width	120 inches
Shipping Size	122" L x 13" W x 4" H

### WSS-12120 Technical Drawing



TOP VIEW

BRACKET



FRONT VIEW

## Wall Mount Shelf, 12"x120"

### Features



- ✓ Constructed from 18-gauge, Type 430 stainless steel for superior strength.
- ✓ Simple to assemble and install.
- ✓ Robust and safe for heavy-duty use.
- ✓ Reinforced steel construction surpasses industry standards.
- ✗ Mounting hardware for wall installation not included.
- ✓ Additional center support included for units 72" and longer.
- ✓ Corrosion-resistant for extended lifespan in various environments.
- ✓ Smooth, easy-to-clean surface for hygiene and maintenance.
- ✓ Designed to hold significant weight, ideal for commercial kitchens.

Model	Shipping Demimensions	Product Size	Width	Weight
WSS-1624	26" L x 17" W x 4" H	16" D x 24" W x 13" H	24 inches	12 lbs
WSS-1630	32" L x 17" W x 4" H	16" D x 30" W x 13" H	30 inches	14 lbs
WSS-1636	38" L x 17" W x 4" H	16" D x 36" W x 13" H	36 inches	16 lbs
WSS-1648	50" L x 17" W x 4" H	16" D x 48" W x 13" H	48 inches	18 lbs
WSS-1660	62" L x 17" W x 4" H	16" D x 60" W x 13" H	60 inches	20 lbs
WSS-1672	74" L x 17" W x 4" H	16" D x 72" W x 13" H	72 inches	22 lbs
WSS-1684	86" L x 17" W x 4" H	16" D x 84" W x 13" H	84 inches	24 lbs
WSS-1696	98" L x 17" W x 4" H	16" D x 96" W x 13" H	96 inches	26 lbs
WSS-16108	110" L x 17" W x 4" H	16" D x 108" W x 13" H	108 inches	28 lbs
WSS-16120	122" L x 17" W x 4" H	16" D x 120" W x 13" H	120 inches	30 lbs



## Stainless Steel Wall Mount Shelf

WSS-1424

Size:	14" D x 24" W x 12" H
Weight	12 lbs
Width	24 inches
Shipping Size	26" L x 15" W x 4" H

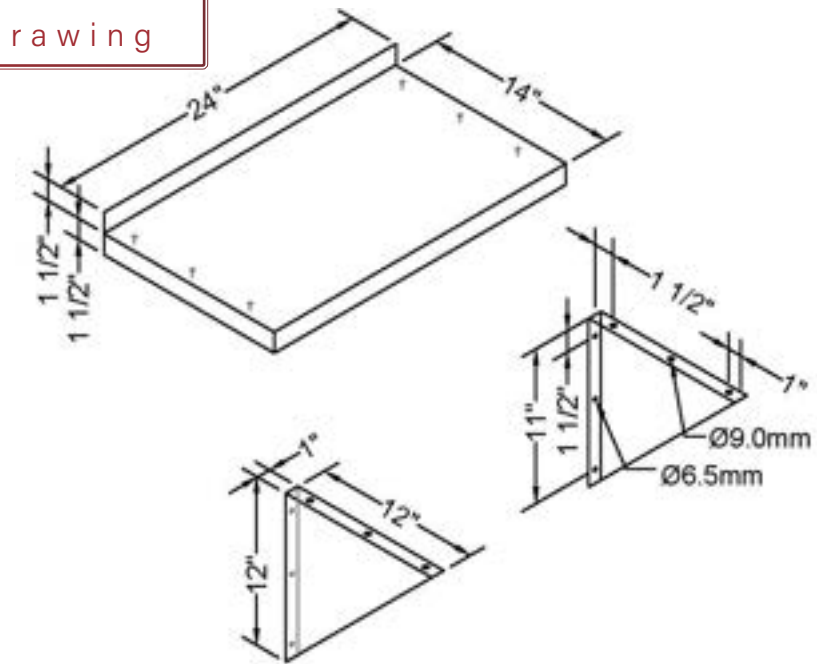
### Wall Mount Shelf, 14"x24"

#### Features



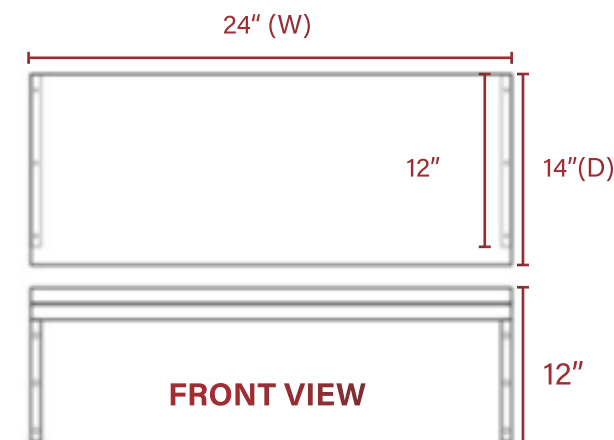
- ✓ Constructed from 18-gauge, Type 430 stainless steel for superior strength.
- ✓ Simple to assemble and install.
- ✓ Robust and safe for heavy-duty use.
- ✓ Reinforced steel construction surpasses industry standards.
- ✗ Mounting hardware for wall installation not included.
- ✓ Additional center support included for units 72" and longer.
- ✓ Corrosion-resistant for extended lifespan in various environments.
- ✓ Smooth, easy-to-clean surface for hygiene and maintenance.
- ✓ Designed to hold significant weight, ideal for commercial kitchens.

### WSS-1424 Technical Drawing

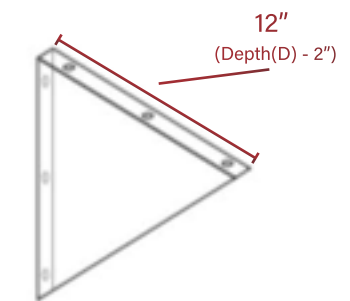


TOP VIEW

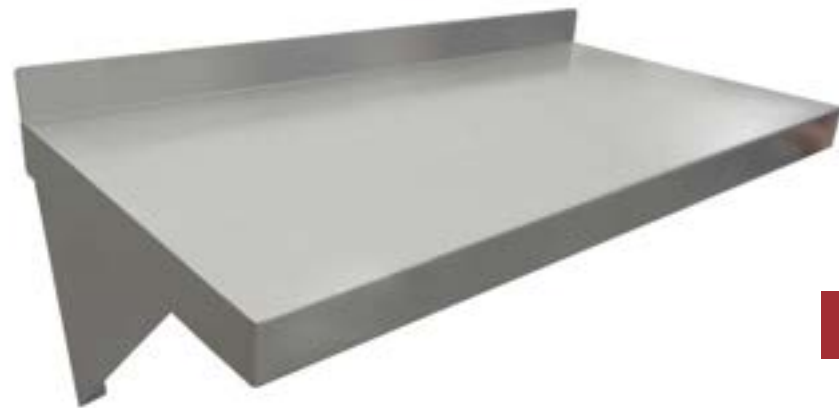
BRACKET



FRONT VIEW



Model	Shipping Deminsions	Product Size	Width	Weight
WSS-1624	26" L x 17" W x 4" H	16" D x 24" W x 13" H	24 inches	12 lbs
WSS-1630	32" L x 17" W x 4" H	16" D x 30" W x 13" H	30 inches	14 lbs
WSS-1636	38" L x 17" W x 4" H	16" D x 36" W x 13" H	36 inches	16 lbs
WSS-1648	50" L x 17" W x 4" H	16" D x 48" W x 13" H	48 inches	18 lbs
WSS-1660	62" L x 17" W x 4" H	16" D x 60" W x 13" H	60 inches	20 lbs
WSS-1672	74" L x 17" W x 4" H	16" D x 72" W x 13" H	72 inches	22 lbs
WSS-1684	86" L x 17" W x 4" H	16" D x 84" W x 13" H	84 inches	24 lbs
WSS-1696	98" L x 17" W x 4" H	16" D x 96" W x 13" H	96 inches	26 lbs
WSS-16108	110" L x 17" W x 4" H	16" D x 108" W x 13" H	108 inches	28 lbs
WSS-16120	122" L x 17" W x 4" H	16" D x 120" W x 13" H	120 inches	30 lbs



## Stainless Steel Wall Mount Shelf

WSS-1430

Size:	14" D x 30" W x 12" H
Weight	14 lbs
Width	30 inches
Shipping Size	32" L x 15" W x 4" H

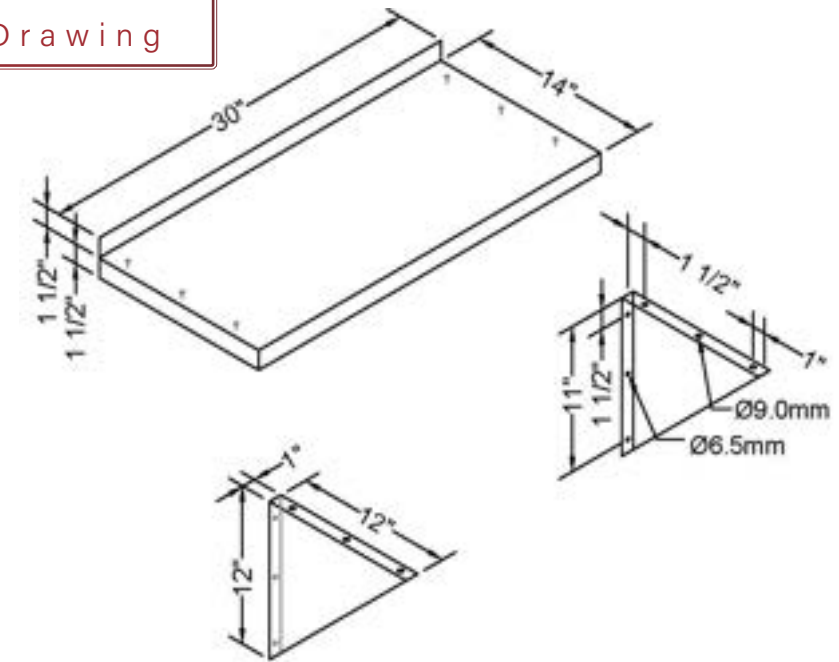
### Wall Mount Shelf, 14"x30"

### Features



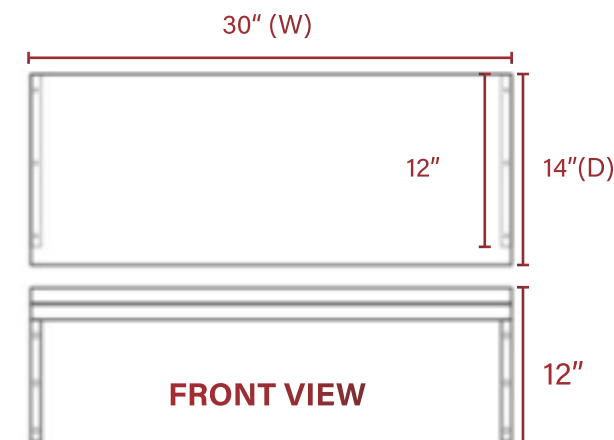
- ✓ Constructed from 18-gauge, Type 430 stainless steel for superior strength.
- ✓ Simple to assemble and install.
- ✓ Robust and safe for heavy-duty use.
- ✓ Reinforced steel construction surpasses industry standards.
- ✗ Mounting hardware for wall installation not included.
- ✓ Additional center support included for units 72" and longer.
- ✓ Corrosion-resistant for extended lifespan in various environments.
- ✓ Smooth, easy-to-clean surface for hygiene and maintenance.
- ✓ Designed to hold significant weight, ideal for commercial kitchens.

### WSS-1430 Technical Drawing



TOP VIEW

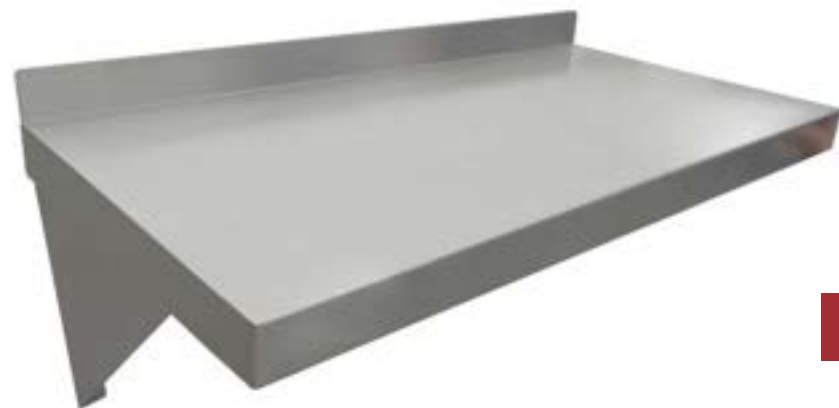
BRACKET



FRONT VIEW

Model	Shipping Demimensions	Product Size	Width	Weight
WSS-1624	26" L x 17" W x 4" H	16" D x 24" W x 13" H	24 inches	12 lbs
WSS-1630	32" L x 17" W x 4" H	16" D x 30" W x 13" H	30 inches	14 lbs
WSS-1636	38" L x 17" W x 4" H	16" D x 36" W x 13" H	36 inches	16 lbs
WSS-1648	50" L x 17" W x 4" H	16" D x 48" W x 13" H	48 inches	18 lbs
WSS-1660	62" L x 17" W x 4" H	16" D x 60" W x 13" H	60 inches	20 lbs
WSS-1672	74" L x 17" W x 4" H	16" D x 72" W x 13" H	72 inches	22 lbs
WSS-1684	86" L x 17" W x 4" H	16" D x 84" W x 13" H	84 inches	24 lbs
WSS-1696	98" L x 17" W x 4" H	16" D x 96" W x 13" H	96 inches	26 lbs
WSS-16108	110" L x 17" W x 4" H	16" D x 108" W x 13" H	108 inches	28 lbs
WSS-16120	122" L x 17" W x 4" H	16" D x 120" W x 13" H	120 inches	30 lbs





## Stainless Steel Wall Mount Shelf

WSS-1436

Size:	14" D x 36" W x 12" H
Weight	16 lbs
Width	36 inches
Shipping Size	38" L x 15" W x 4" H

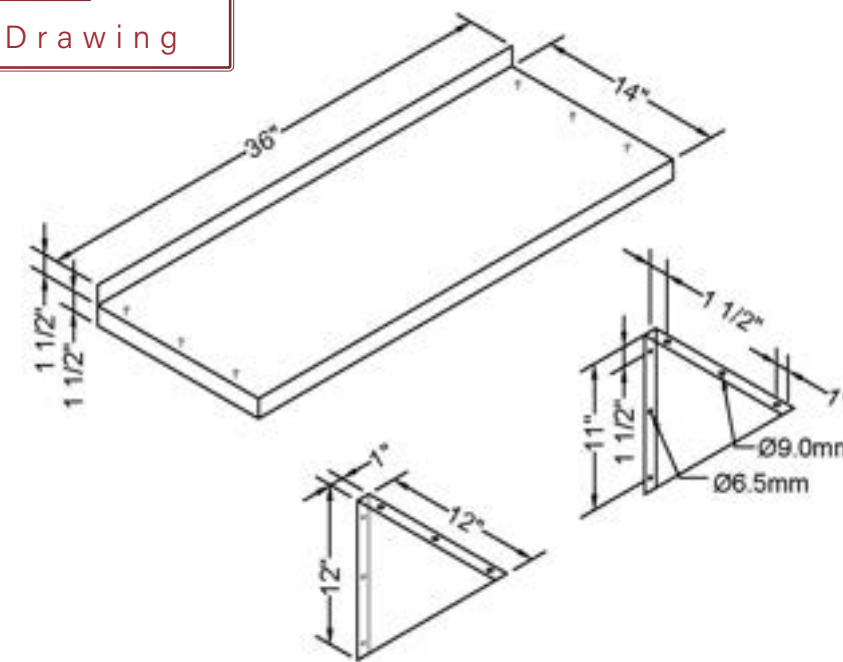
### Wall Mount Shelf, 14"x36"

#### Features



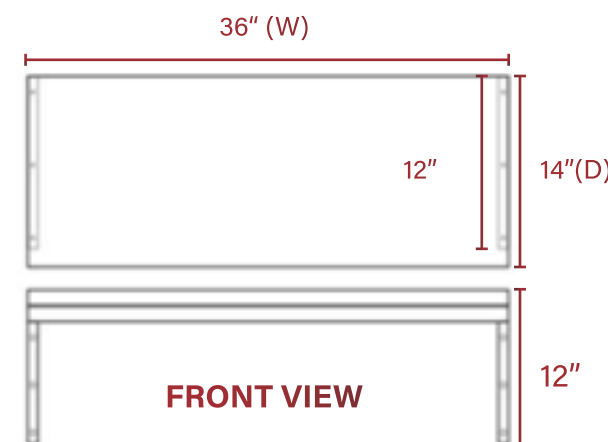
- ✓ Constructed from 18-gauge, Type 430 stainless steel for superior strength.
- ✓ Simple to assemble and install.
- ✓ Robust and safe for heavy-duty use.
- ✓ Reinforced steel construction surpasses industry standards.
- ✗ Mounting hardware for wall installation not included.
- ✓ Additional center support included for units 72" and longer.
- ✓ Corrosion-resistant for extended lifespan in various environments.
- ✓ Smooth, easy-to-clean surface for hygiene and maintenance.
- ✓ Designed to hold significant weight, ideal for commercial kitchens.

### WSS-1436 Technical Drawing



TOP VIEW

BRACKET



FRONT VIEW

Model	Shipping Deminsions	Product Size	Width	Weight
WSS-1624	26" L x 17" W x 4" H	16" D x 24" W x 13" H	24 inches	12 lbs
WSS-1630	32" L x 17" W x 4" H	16" D x 30" W x 13" H	30 inches	14 lbs
WSS-1636	38" L x 17" W x 4" H	16" D x 36" W x 13" H	36 inches	16 lbs
WSS-1648	50" L x 17" W x 4" H	16" D x 48" W x 13" H	48 inches	18 lbs
WSS-1660	62" L x 17" W x 4" H	16" D x 60" W x 13" H	60 inches	20 lbs
WSS-1672	74" L x 17" W x 4" H	16" D x 72" W x 13" H	72 inches	22 lbs
WSS-1684	86" L x 17" W x 4" H	16" D x 84" W x 13" H	84 inches	24 lbs
WSS-1696	98" L x 17" W x 4" H	16" D x 96" W x 13" H	96 inches	26 lbs
WSS-16108	110" L x 17" W x 4" H	16" D x 108" W x 13" H	108 inches	28 lbs
WSS-16120	122" L x 17" W x 4" H	16" D x 120" W x 13" H	120 inches	30 lbs

# Stainless Steel Wall Mount Shelf

WSS-1448



Size:	14" D x 48" W x 12" H
Weight	18 lbs
Width	48 inches
Shipping Size	50" L x 15" W x 4" H

## Wall Mount Shelf, 14"x48"

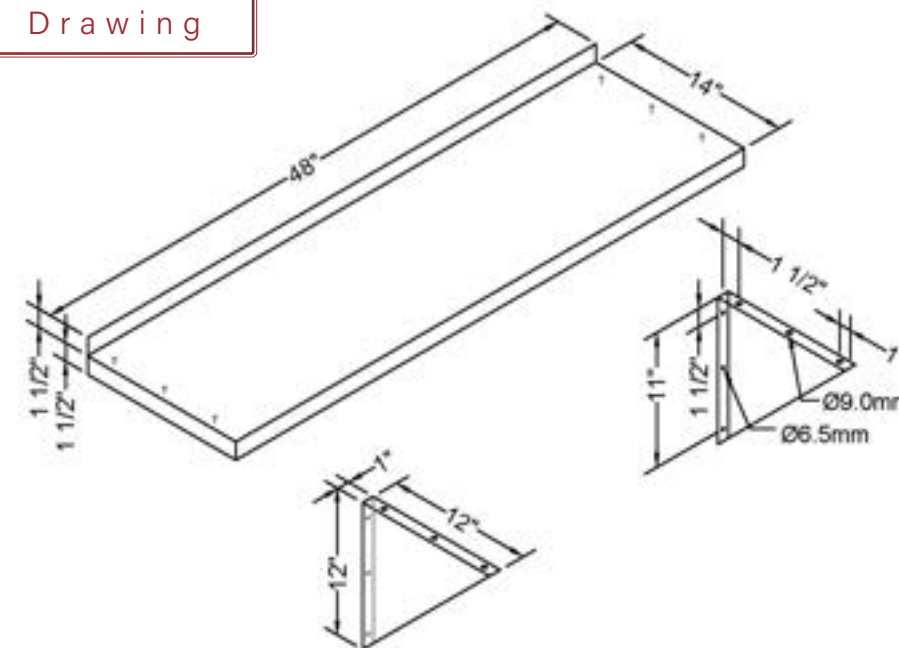
### Features



- ✓ Constructed from 18-gauge, Type 430 stainless steel for superior strength.
- ✓ Simple to assemble and install.
- ✓ Robust and safe for heavy-duty use.
- ✓ Reinforced steel construction surpasses industry standards.
- ✗ Mounting hardware for wall installation not included.
- ✓ Additional center support included for units 72" and longer.
- ✓ Corrosion-resistant for extended lifespan in various environments.
- ✓ Smooth, easy-to-clean surface for hygiene and maintenance.
- ✓ Designed to hold significant weight, ideal for commercial kitchens.

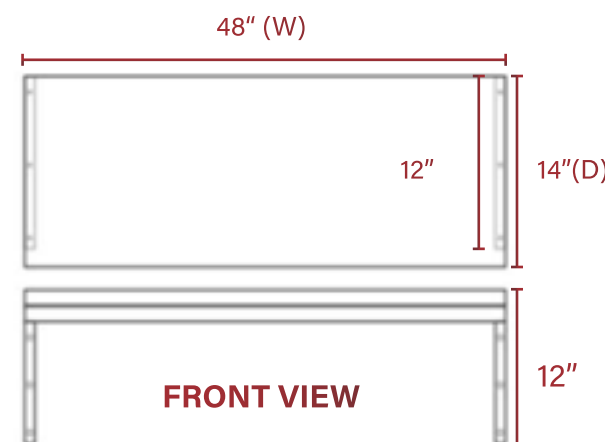
WSS-1448

Technical Drawing



TOP VIEW

BRACKET



FRONT VIEW

Model	Shipping Deminions	Product Size	Width	Weight
WSS-1624	26" L x 17" W x 4" H	16" D x 24" W x 13" H	24 inches	12 lbs
WSS-1630	32" L x 17" W x 4" H	16" D x 30" W x 13" H	30 inches	14 lbs
WSS-1636	38" L x 17" W x 4" H	16" D x 36" W x 13" H	36 inches	16 lbs
WSS-1648	50" L x 17" W x 4" H	16" D x 48" W x 13" H	48 inches	18 lbs
WSS-1660	62" L x 17" W x 4" H	16" D x 60" W x 13" H	60 inches	20 lbs
WSS-1672	74" L x 17" W x 4" H	16" D x 72" W x 13" H	72 inches	22 lbs
WSS-1684	86" L x 17" W x 4" H	16" D x 84" W x 13" H	84 inches	24 lbs
WSS-1696	98" L x 17" W x 4" H	16" D x 96" W x 13" H	96 inches	26 lbs
WSS-16108	110" L x 17" W x 4" H	16" D x 108" W x 13" H	108 inches	28 lbs
WSS-16120	122" L x 17" W x 4" H	16" D x 120" W x 13" H	120 inches	30 lbs

## Stainless Steel Wall Mount Shelf

WSS-1460



Size:	14" D x 60" W x 12" H
Weight	20 lbs
Width	60 inches
Shipping Size	62" L x 15" W x 4" H

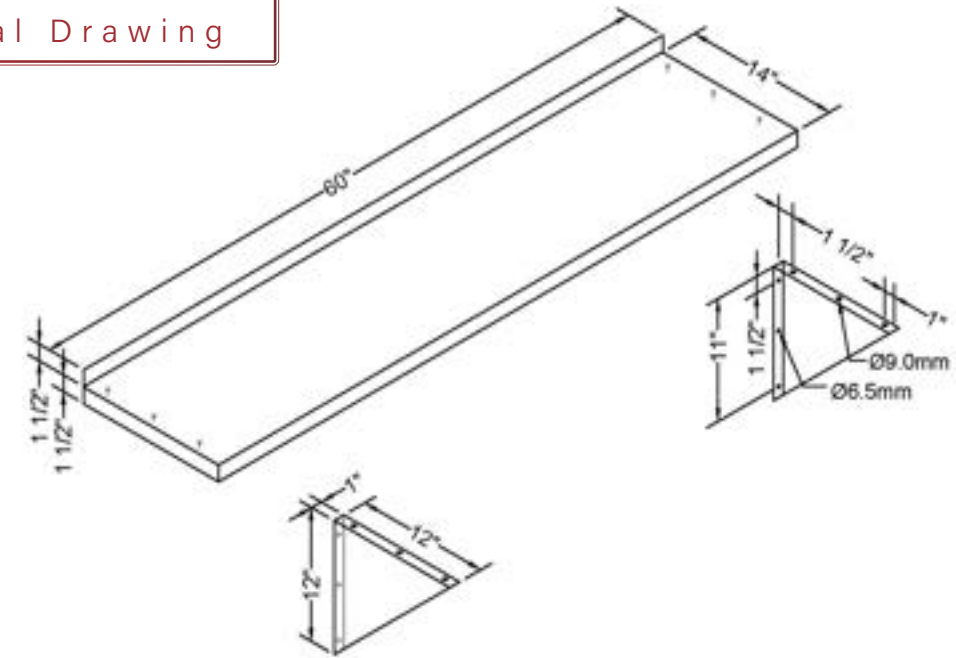
### Wall Mount Shelf, 14"x60"

#### Features



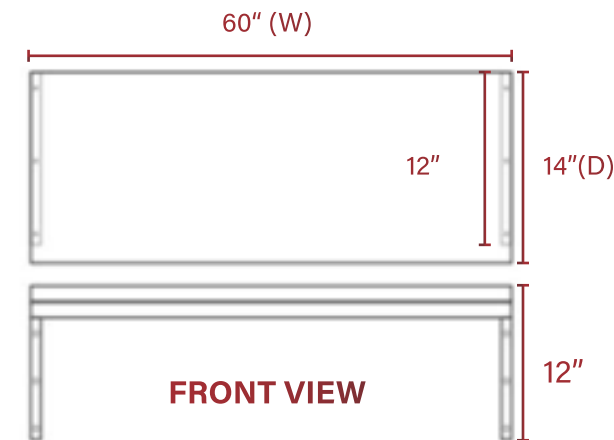
- ✓ Constructed from 18-gauge, Type 430 stainless steel for superior strength.
- ✓ Simple to assemble and install.
- ✓ Robust and safe for heavy-duty use.
- ✓ Reinforced steel construction surpasses industry standards.
- ✗ Mounting hardware for wall installation not included.
- ✓ Additional center support included for units 72" and longer.
- ✓ Corrosion-resistant for extended lifespan in various environments.
- ✓ Smooth, easy-to-clean surface for hygiene and maintenance.
- ✓ Designed to hold significant weight, ideal for commercial kitchens.

### WSS-1460 Technical Drawing

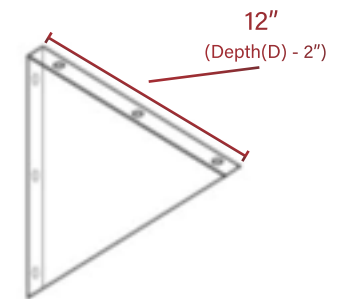


TOP VIEW

BRACKET



FRONT VIEW



Model	Shipping Deminsions	Product Size	Width	Weight
WSS-1624	26" L x 17" W x 4" H	16" D x 24" W x 13" H	24 inches	12 lbs
WSS-1630	32" L x 17" W x 4" H	16" D x 30" W x 13" H	30 inches	14 lbs
WSS-1636	38" L x 17" W x 4" H	16" D x 36" W x 13" H	36 inches	16 lbs
WSS-1648	50" L x 17" W x 4" H	16" D x 48" W x 13" H	48 inches	18 lbs
WSS-1660	62" L x 17" W x 4" H	16" D x 60" W x 13" H	60 inches	20 lbs
WSS-1672	74" L x 17" W x 4" H	16" D x 72" W x 13" H	72 inches	22 lbs
WSS-1684	86" L x 17" W x 4" H	16" D x 84" W x 13" H	84 inches	24 lbs
WSS-1696	98" L x 17" W x 4" H	16" D x 96" W x 13" H	96 inches	26 lbs
WSS-16108	110" L x 17" W x 4" H	16" D x 108" W x 13" H	108 inches	28 lbs
WSS-16120	122" L x 17" W x 4" H	16" D x 120" W x 13" H	120 inches	30 lbs



**WSS-1472**  
Technical Drawing

**Stainless Steel  
Wall Mount Shelf**



**WSS-1472**

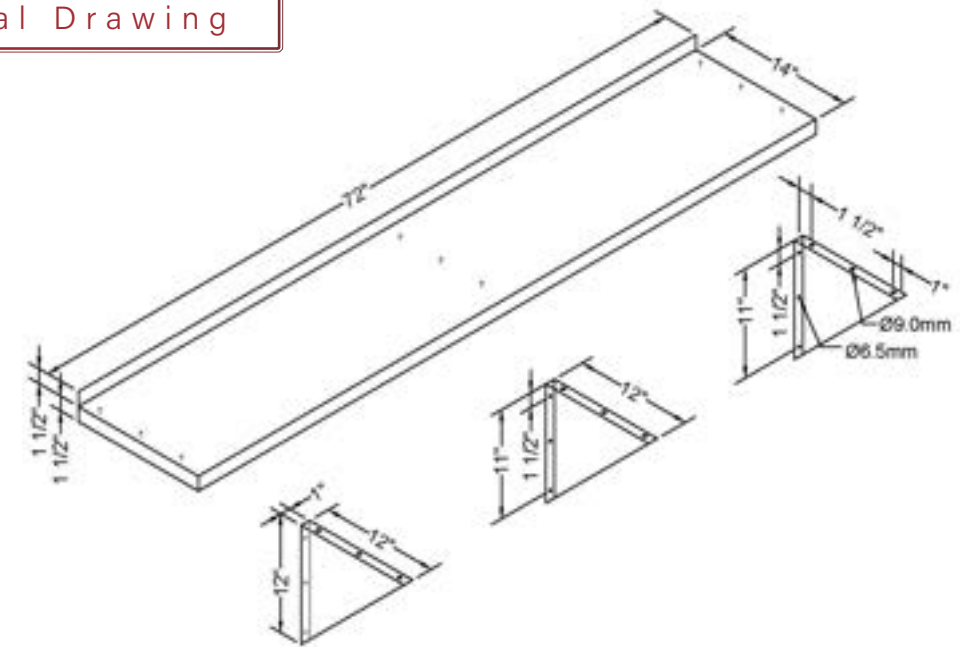
Size:	14" D x 72" W x 12" H
Weight	22 lbs
Width	72 inches
Shipping Size	74" L x 15" W x 4" H

**Wall Mount Shelf, 14"x72"**

**Features**

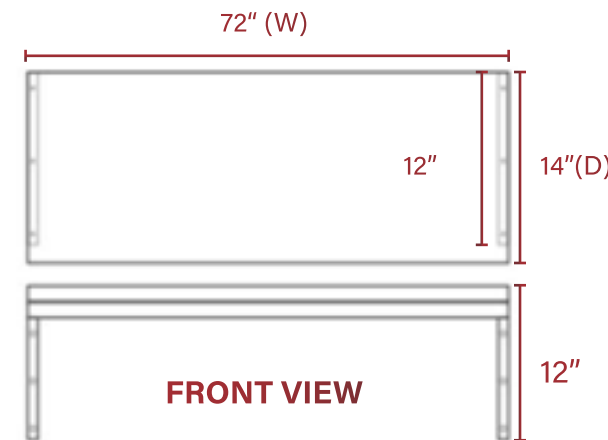


- Constructed from 18-gauge, Type 430 stainless steel for superior strength.
- Simple to assemble and install.
- Robust and safe for heavy-duty use.
- Reinforced steel construction surpasses industry standards.
- Mounting hardware for wall installation not included.
- Additional center support included for units 72" and longer.
- Corrosion-resistant for extended lifespan in various environments.
- Smooth, easy-to-clean surface for hygiene and maintenance.
- Designed to hold significant weight, ideal for commercial kitchens.

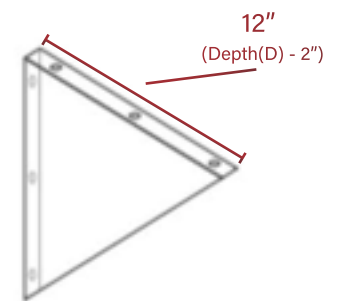


**TOP VIEW**

**BRACKET**



**FRONT VIEW**



Model	Shipping Deminsions	Product Size	Width	Weight
WSS-1624	26" L x 17" W x 4" H	16" D x 24" W x 13" H	24 inches	12 lbs
WSS-1630	32" L x 17" W x 4" H	16" D x 30" W x 13" H	30 inches	14 lbs
WSS-1636	38" L x 17" W x 4" H	16" D x 36" W x 13" H	36 inches	16 lbs
WSS-1648	50" L x 17" W x 4" H	16" D x 48" W x 13" H	48 inches	18 lbs
WSS-1660	62" L x 17" W x 4" H	16" D x 60" W x 13" H	60 inches	20 lbs
WSS-1672	74" L x 17" W x 4" H	16" D x 72" W x 13" H	72 inches	22 lbs
WSS-1684	86" L x 17" W x 4" H	16" D x 84" W x 13" H	84 inches	24 lbs
WSS-1696	98" L x 17" W x 4" H	16" D x 96" W x 13" H	96 inches	26 lbs
WSS-16108	110" L x 17" W x 4" H	16" D x 108" W x 13" H	108 inches	28 lbs
WSS-16120	122" L x 17" W x 4" H	16" D x 120" W x 13" H	120 inches	30 lbs

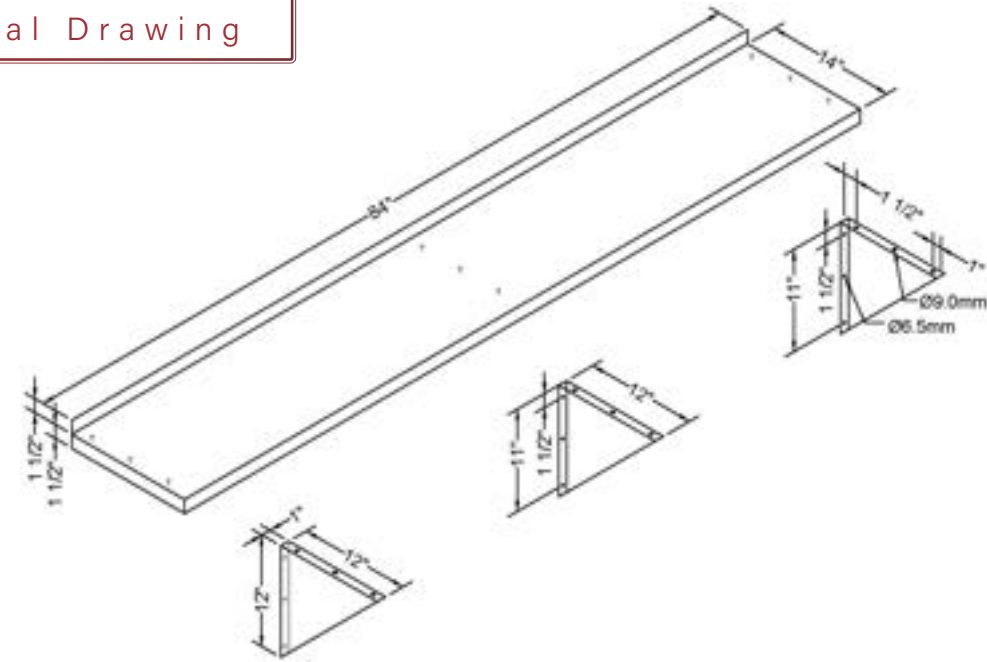
## Stainless Steel Wall Mount Shelf

### WSS-1484

Size:	14" D x 84" W x 12" H
Weight	24 lbs
Width	84 inches
Shipping Size	86" L x 15" W x 4" H

### WSS-1484

#### Technical Drawing



TOP VIEW

BRACKET

84" (W)

12"

14"(D)

12"  
(Depth(D) - 2")

FRONT VIEW

12"

### Wall Mount Shelf, 14"x84"

#### Features



- Constructed from 18-gauge, Type 430 stainless steel for superior strength.
- Simple to assemble and install.
- Robust and safe for heavy-duty use.
- Reinforced steel construction surpasses industry standards.
- Mounting hardware for wall installation not included.
- Additional center support included for units 72" and longer.
- Corrosion-resistant for extended lifespan in various environments.
- Smooth, easy-to-clean surface for hygiene and maintenance.
- Designed to hold significant weight, ideal for commercial kitchens.

Model	Shipping Deminsions	Product Size	Width	Weight
WSS-1624	26" L x 17" W x 4" H	16" D x 24" W x 13" H	24 inches	12 lbs
WSS-1630	32" L x 17" W x 4" H	16" D x 30" W x 13" H	30 inches	14 lbs
WSS-1636	38" L x 17" W x 4" H	16" D x 36" W x 13" H	36 inches	16 lbs
WSS-1648	50" L x 17" W x 4" H	16" D x 48" W x 13" H	48 inches	18 lbs
WSS-1660	62" L x 17" W x 4" H	16" D x 60" W x 13" H	60 inches	20 lbs
WSS-1672	74" L x 17" W x 4" H	16" D x 72" W x 13" H	72 inches	22 lbs
WSS-1684	86" L x 17" W x 4" H	16" D x 84" W x 13" H	84 inches	24 lbs
WSS-1696	98" L x 17" W x 4" H	16" D x 96" W x 13" H	96 inches	26 lbs
WSS-16108	110" L x 17" W x 4" H	16" D x 108" W x 13" H	108 inches	28 lbs
WSS-16120	122" L x 17" W x 4" H	16" D x 120" W x 13" H	120 inches	30 lbs

# Stainless Steel Wall Mount Shelf

WSS-1496

Size:	14" D x 96" W x 12" H
Weight	26 lbs
Width	96 inches
Shipping Size	98" L x 15" W x 4" H

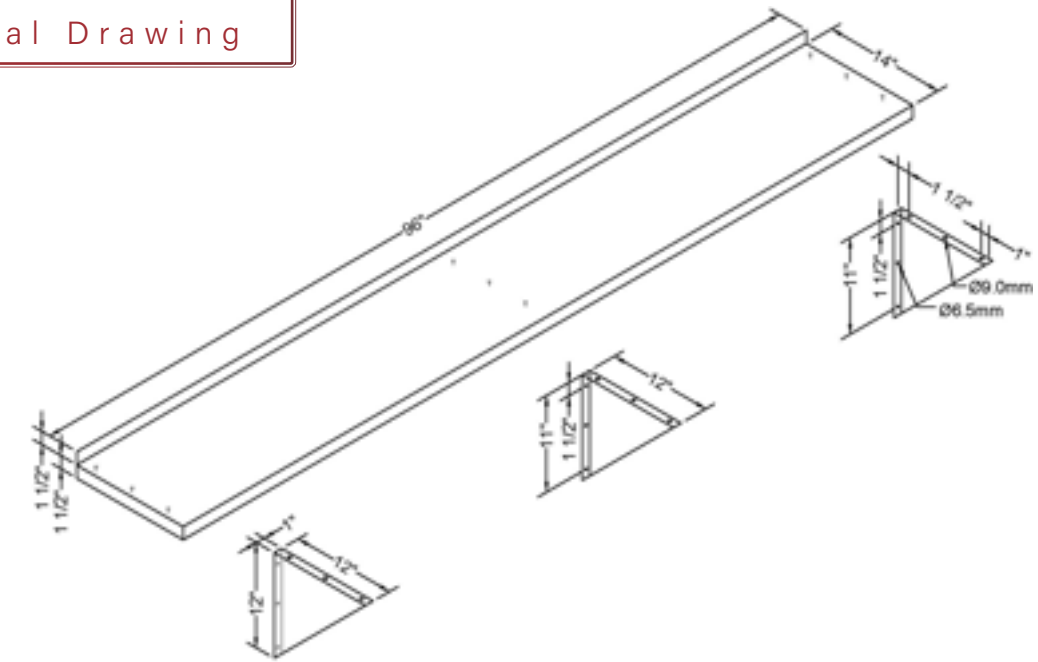
## Wall Mount Shelf, 14"x96"

### Features



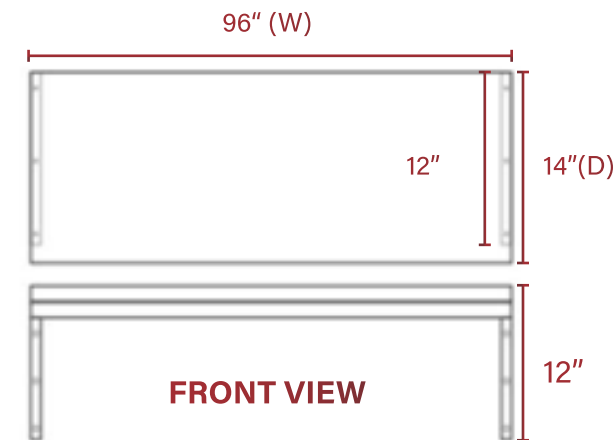
- ✓ Constructed from 18-gauge, Type 430 stainless steel for superior strength.
- ✓ Simple to assemble and install.
- ✓ Robust and safe for heavy-duty use.
- ✓ Reinforced steel construction surpasses industry standards.
- ✗ Mounting hardware for wall installation not included.
- ✓ Additional center support included for units 72" and longer.
- ✓ Corrosion-resistant for extended lifespan in various environments.
- ✓ Smooth, easy-to-clean surface for hygiene and maintenance.
- ✓ Designed to hold significant weight, ideal for commercial kitchens.

### WSS-1496 Technical Drawing



TOP VIEW

BRACKET



FRONT VIEW

Model	Shipping Demimensions	Product Size	Width	Weight
WSS-1624	26" L x 17" W x 4" H	16" D x 24" W x 13" H	24 inches	12 lbs
WSS-1630	32" L x 17" W x 4" H	16" D x 30" W x 13" H	30 inches	14 lbs
WSS-1636	38" L x 17" W x 4" H	16" D x 36" W x 13" H	36 inches	16 lbs
WSS-1648	50" L x 17" W x 4" H	16" D x 48" W x 13" H	48 inches	18 lbs
WSS-1660	62" L x 17" W x 4" H	16" D x 60" W x 13" H	60 inches	20 lbs
WSS-1672	74" L x 17" W x 4" H	16" D x 72" W x 13" H	72 inches	22 lbs
WSS-1684	86" L x 17" W x 4" H	16" D x 84" W x 13" H	84 inches	24 lbs
WSS-1696	98" L x 17" W x 4" H	16" D x 96" W x 13" H	96 inches	26 lbs
WSS-16108	110" L x 17" W x 4" H	16" D x 108" W x 13" H	108 inches	28 lbs
WSS-16120	122" L x 17" W x 4" H	16" D x 120" W x 13" H	120 inches	30 lbs



WSS-14108

Technical Drawing

# Stainless Steel Wall Mount Shelf

## WSS-14108



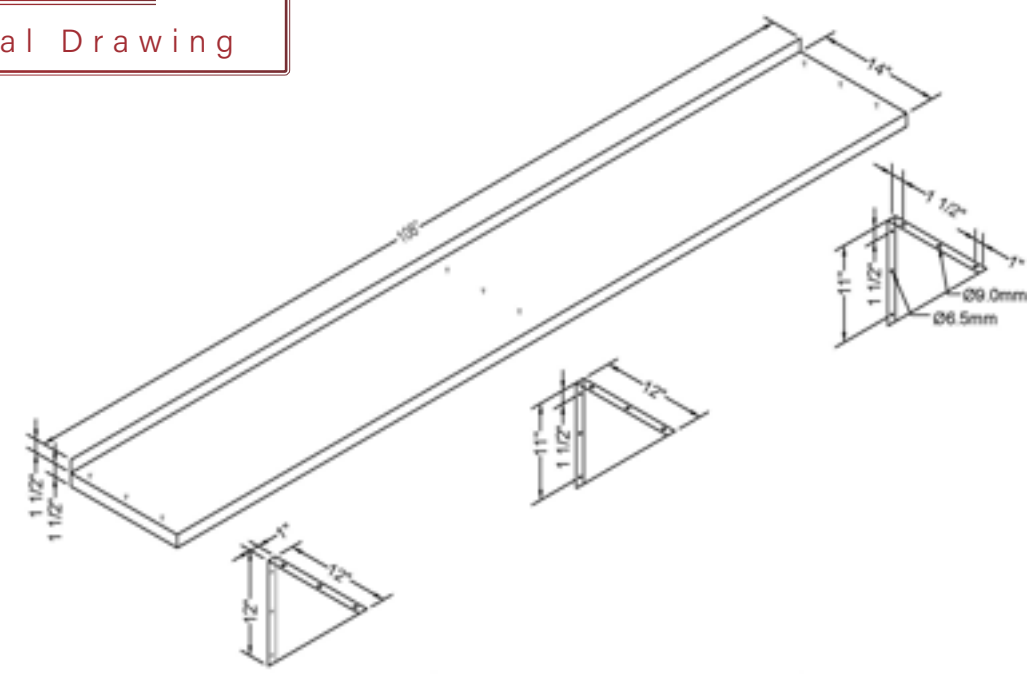
Size:	14" D x 108" W x 12" H
Weight	28 lbs
Width	108 inches
Shipping Size	110" L x 15" W x 4" H

### Wall Mount Shelf, 14"x108"

### Features

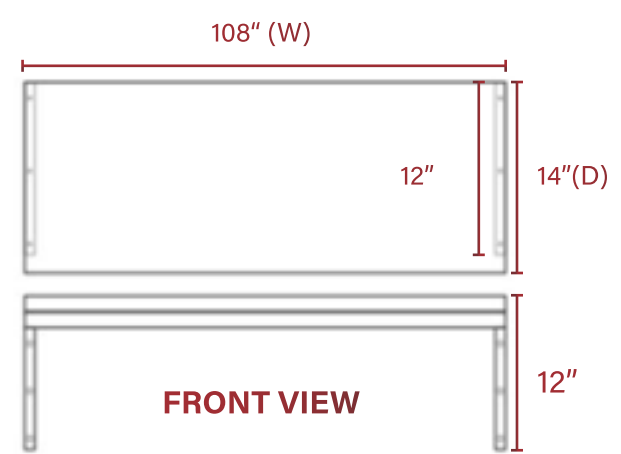


- Constructed from 18-gauge, Type 430 stainless steel for superior strength.
- Simple to assemble and install.
- Robust and safe for heavy-duty use.
- Reinforced steel construction surpasses industry standards.
- Mounting hardware for wall installation not included.
- Additional center support included for units 72" and longer.
- Corrosion-resistant for extended lifespan in various environments.
- Smooth, easy-to-clean surface for hygiene and maintenance.
- Designed to hold significant weight, ideal for commercial kitchens.

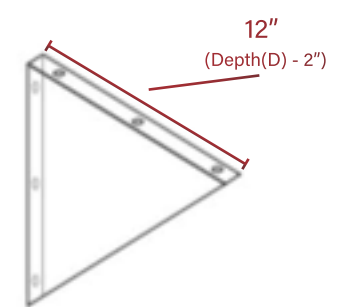


TOP VIEW

BRACKET



FRONT VIEW



Model	Shipping Deminsions	Product Size	Width	Weight
WSS-1624	26" L x 17" W x 4" H	16" D x 24" W x 13" H	24 inches	12 lbs
WSS-1630	32" L x 17" W x 4" H	16" D x 30" W x 13" H	30 inches	14 lbs
WSS-1636	38" L x 17" W x 4" H	16" D x 36" W x 13" H	36 inches	16 lbs
WSS-1648	50" L x 17" W x 4" H	16" D x 48" W x 13" H	48 inches	18 lbs
WSS-1660	62" L x 17" W x 4" H	16" D x 60" W x 13" H	60 inches	20 lbs
WSS-1672	74" L x 17" W x 4" H	16" D x 72" W x 13" H	72 inches	22 lbs
WSS-1684	86" L x 17" W x 4" H	16" D x 84" W x 13" H	84 inches	24 lbs
WSS-1696	98" L x 17" W x 4" H	16" D x 96" W x 13" H	96 inches	26 lbs
WSS-16108	110" L x 17" W x 4" H	16" D x 108" W x 13" H	108 inches	28 lbs
WSS-16120	122" L x 17" W x 4" H	16" D x 120" W x 13" H	120 inches	30 lbs

# Stainless Steel Wall Mount Shelf

## WSS-14120

Size:	14" D x 120" W x 12" H
Weight	30 lbs
Width	120 inches
Shipping Size	122" L x 15" W x 4" H

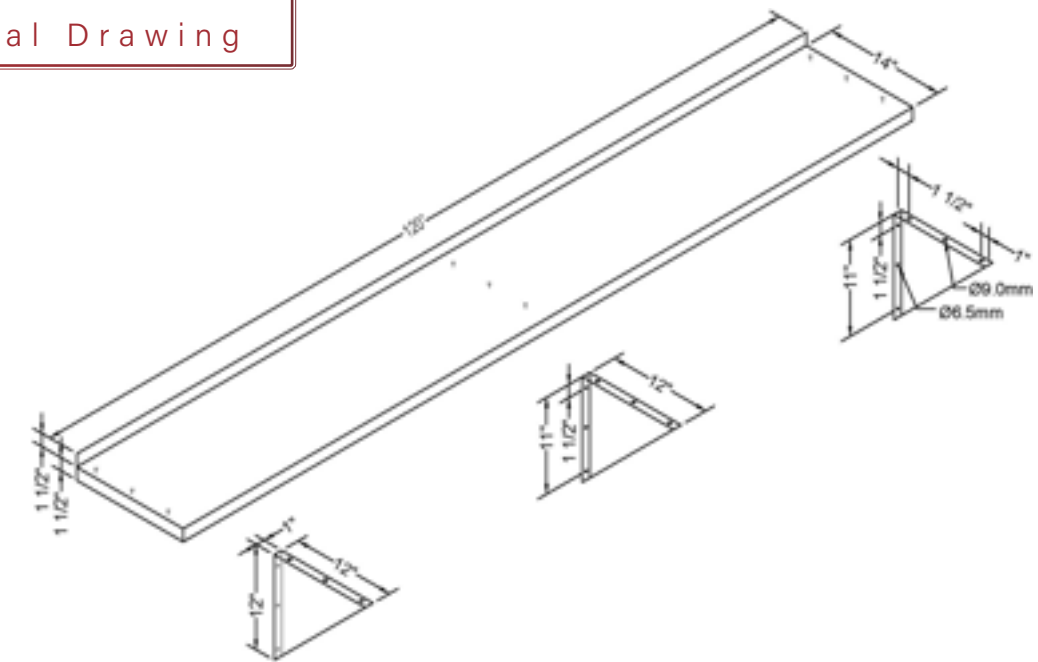
### Wall Mount Shelf, 14"x120"

### Features



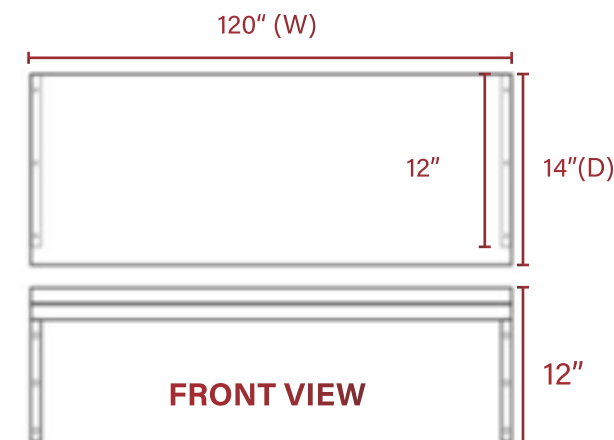
- ✓ Constructed from 18-gauge, Type 430 stainless steel for superior strength.
- ✓ Simple to assemble and install.
- ✓ Robust and safe for heavy-duty use.
- ✓ Reinforced steel construction surpasses industry standards.
- ✗ Mounting hardware for wall installation not included.
- ✓ Additional center support included for units 72" and longer.
- ✓ Corrosion-resistant for extended lifespan in various environments.
- ✓ Smooth, easy-to-clean surface for hygiene and maintenance.
- ✓ Designed to hold significant weight, ideal for commercial kitchens.

## WSS-14120 Technical Drawing



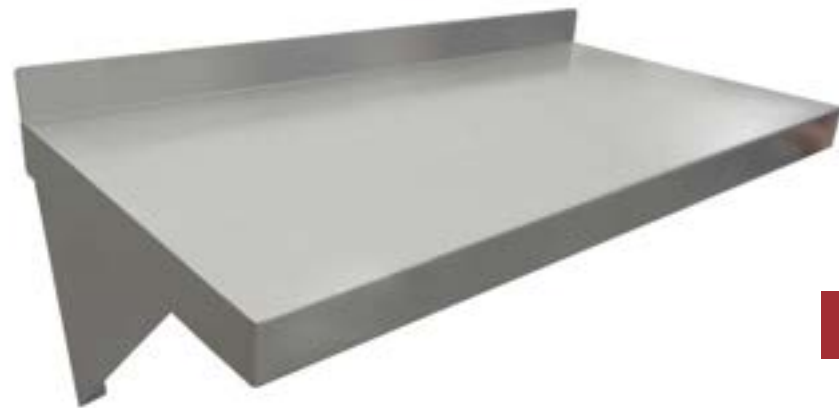
TOP VIEW

BRACKET



FRONT VIEW

Model	Shipping Demimensions	Product Size	Width	Weight
WSS-1624	26" L x 17" W x 4" H	16" D x 24" W x 13" H	24 inches	12 lbs
WSS-1630	32" L x 17" W x 4" H	16" D x 30" W x 13" H	30 inches	14 lbs
WSS-1636	38" L x 17" W x 4" H	16" D x 36" W x 13" H	36 inches	16 lbs
WSS-1648	50" L x 17" W x 4" H	16" D x 48" W x 13" H	48 inches	18 lbs
WSS-1660	62" L x 17" W x 4" H	16" D x 60" W x 13" H	60 inches	20 lbs
WSS-1672	74" L x 17" W x 4" H	16" D x 72" W x 13" H	72 inches	22 lbs
WSS-1684	86" L x 17" W x 4" H	16" D x 84" W x 13" H	84 inches	24 lbs
WSS-1696	98" L x 17" W x 4" H	16" D x 96" W x 13" H	96 inches	26 lbs
WSS-16108	110" L x 17" W x 4" H	16" D x 108" W x 13" H	108 inches	28 lbs
WSS-16120	122" L x 17" W x 4" H	16" D x 120" W x 13" H	120 inches	30 lbs



## Stainless Steel Wall Mount Shelf

### WSS-1624

Size:	16" D x 24" W x 13" H
Weight	12 lbs
Width	24 inches
Shipping Size	26" L x 17" W x 4" H

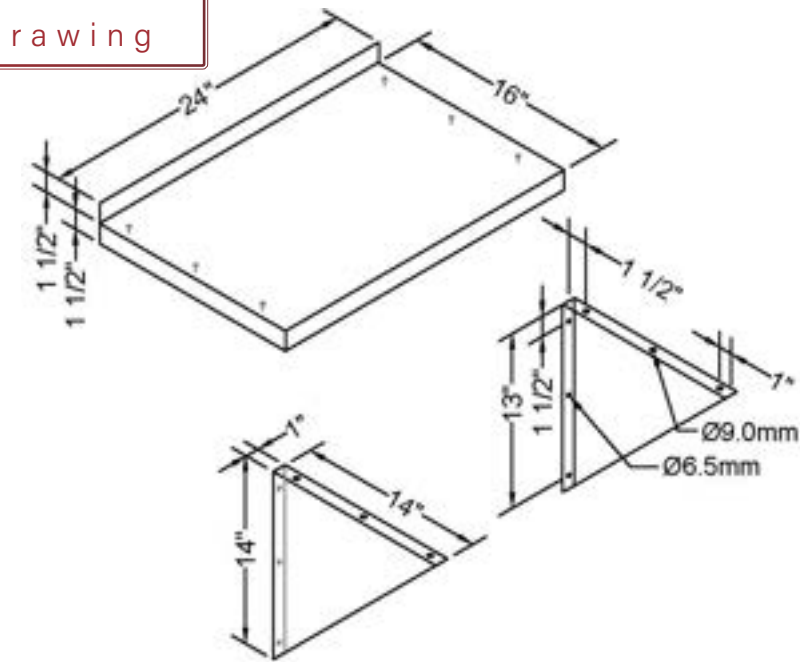
### Wall Mount Shelf, 16"x24"

### Features



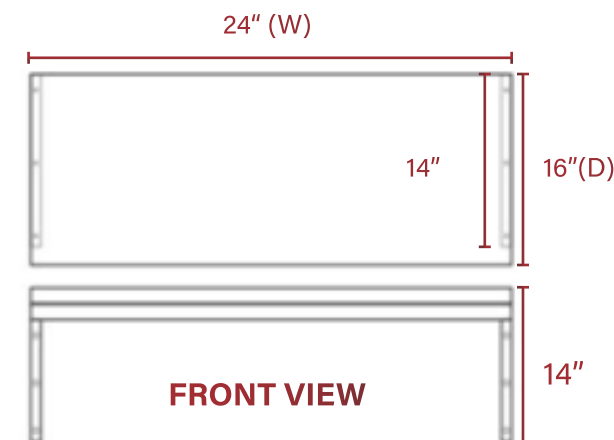
- ✓ Constructed from 18-gauge, Type 430 stainless steel for superior strength.
- ✓ Simple to assemble and install.
- ✓ Robust and safe for heavy-duty use.
- ✓ Reinforced steel construction surpasses industry standards.
- ✗ Mounting hardware for wall installation not included.
- ✓ Additional center support included for units 72" and longer.
- ✓ Corrosion-resistant for extended lifespan in various environments.
- ✓ Smooth, easy-to-clean surface for hygiene and maintenance.
- ✓ Designed to hold significant weight, ideal for commercial kitchens.

### WSS-1624 Technical Drawing



TOP VIEW

BRACKET



FRONT VIEW

Model	Shipping Demimensions	Product Size	Width	Weight
WSS-1624	26" L x 17" W x 4" H	16" D x 24" W x 13" H	24 inches	12 lbs
WSS-1630	32" L x 17" W x 4" H	16" D x 30" W x 13" H	30 inches	14 lbs
WSS-1636	38" L x 17" W x 4" H	16" D x 36" W x 13" H	36 inches	16 lbs
WSS-1648	50" L x 17" W x 4" H	16" D x 48" W x 13" H	48 inches	18 lbs
WSS-1660	62" L x 17" W x 4" H	16" D x 60" W x 13" H	60 inches	20 lbs
WSS-1672	74" L x 17" W x 4" H	16" D x 72" W x 13" H	72 inches	22 lbs
WSS-1684	86" L x 17" W x 4" H	16" D x 84" W x 13" H	84 inches	24 lbs
WSS-1696	98" L x 17" W x 4" H	16" D x 96" W x 13" H	96 inches	26 lbs
WSS-16108	110" L x 17" W x 4" H	16" D x 108" W x 13" H	108 inches	28 lbs
WSS-16120	122" L x 17" W x 4" H	16" D x 120" W x 13" H	120 inches	30 lbs





## Stainless Steel Wall Mount Shelf

### WSS-1630

Size:	16" D x 30" W x 13" H
Weight	14 lbs
Width	30 inches
Shipping Size	32" L x 17" W x 4" H

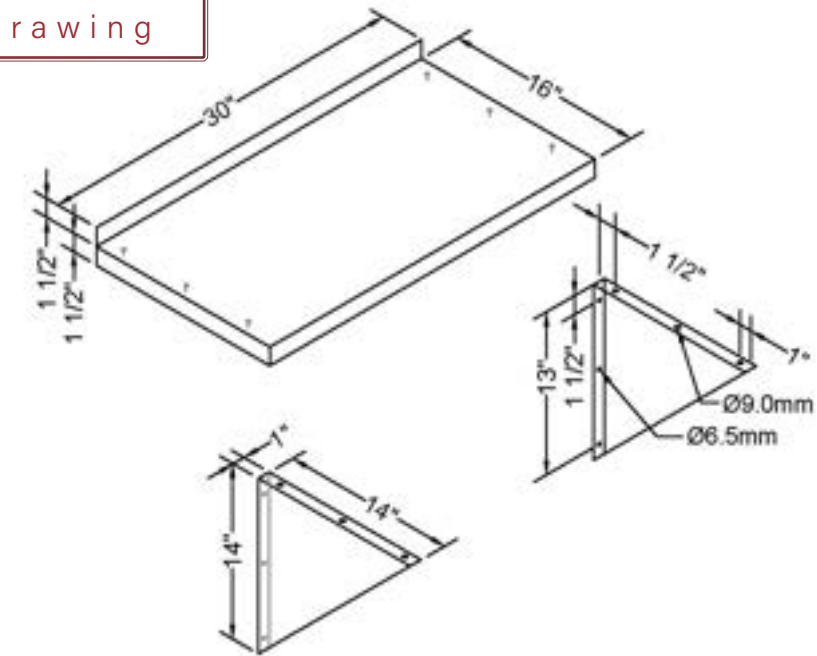
### Wall Mount Shelf, 16"x30"

### Features



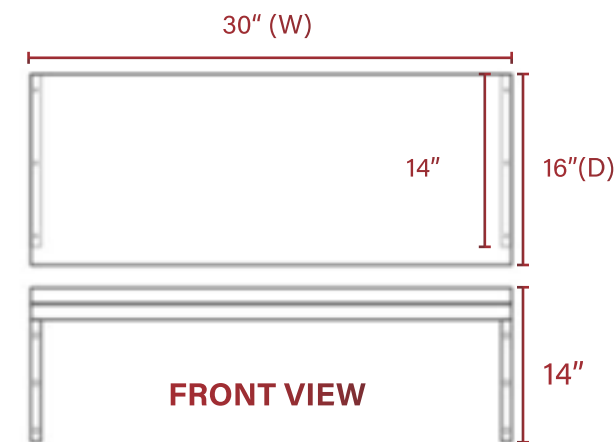
- ✓ Constructed from 18-gauge, Type 430 stainless steel for superior strength.
- ✓ Simple to assemble and install.
- ✓ Robust and safe for heavy-duty use.
- ✓ Reinforced steel construction surpasses industry standards.
- ✗ Mounting hardware for wall installation not included.
- ✓ Additional center support included for units 72" and longer.
- ✓ Corrosion-resistant for extended lifespan in various environments.
- ✓ Smooth, easy-to-clean surface for hygiene and maintenance.
- ✓ Designed to hold significant weight, ideal for commercial kitchens.

### WSS-1630 Technical Drawing



TOP VIEW

BRACKET



Model	Shipping Deminsons	Product Size	Width	Weight
WSS-1624	26" L x 17" W x 4" H	16" D x 24" W x 13" H	24 inches	12 lbs
WSS-1630	32" L x 17" W x 4" H	16" D x 30" W x 13" H	30 inches	14 lbs
WSS-1636	38" L x 17" W x 4" H	16" D x 36" W x 13" H	36 inches	16 lbs
WSS-1648	50" L x 17" W x 4" H	16" D x 48" W x 13" H	48 inches	18 lbs
WSS-1660	62" L x 17" W x 4" H	16" D x 60" W x 13" H	60 inches	20 lbs
WSS-1672	74" L x 17" W x 4" H	16" D x 72" W x 13" H	72 inches	22 lbs
WSS-1684	86" L x 17" W x 4" H	16" D x 84" W x 13" H	84 inches	24 lbs
WSS-1696	98" L x 17" W x 4" H	16" D x 96" W x 13" H	96 inches	26 lbs
WSS-16108	110" L x 17" W x 4" H	16" D x 108" W x 13" H	108 inches	28 lbs
WSS-16120	122" L x 17" W x 4" H	16" D x 120" W x 13" H	120 inches	30 lbs



## Stainless Steel Wall Mount Shelf

### WSS-1636

Size:	16" D x 36" W x 13" H
Weight	16 lbs
Width	36 inches
Shipping Size	38" L x 17" W x 4" H

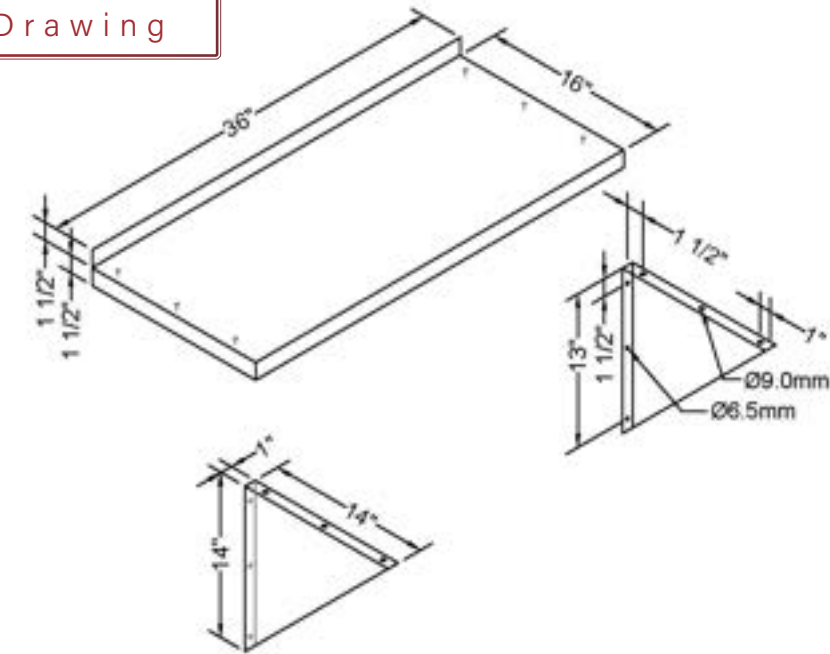
### Wall Mount Shelf, 16"x36"

### Features



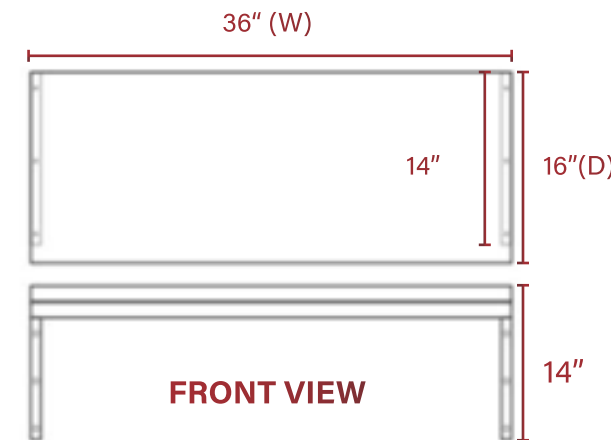
- ✓ Constructed from 18-gauge, Type 430 stainless steel for superior strength.
- ✓ Simple to assemble and install.
- ✓ Robust and safe for heavy-duty use.
- ✓ Reinforced steel construction surpasses industry standards.
- ✗ Mounting hardware for wall installation not included.
- ✓ Additional center support included for units 72" and longer.
- ✓ Corrosion-resistant for extended lifespan in various environments.
- ✓ Smooth, easy-to-clean surface for hygiene and maintenance.
- ✓ Designed to hold significant weight, ideal for commercial kitchens.

### WSS-1636 Technical Drawing



TOP VIEW

BRACKET



FRONT VIEW

Model	Shipping Demimensions	Product Size	Width	Weight
WSS-1624	26" L x 17" W x 4" H	16" D x 24" W x 13" H	24 inches	12 lbs
WSS-1630	32" L x 17" W x 4" H	16" D x 30" W x 13" H	30 inches	14 lbs
WSS-1636	38" L x 17" W x 4" H	16" D x 36" W x 13" H	36 inches	16 lbs
WSS-1648	50" L x 17" W x 4" H	16" D x 48" W x 13" H	48 inches	18 lbs
WSS-1660	62" L x 17" W x 4" H	16" D x 60" W x 13" H	60 inches	20 lbs
WSS-1672	74" L x 17" W x 4" H	16" D x 72" W x 13" H	72 inches	22 lbs
WSS-1684	86" L x 17" W x 4" H	16" D x 84" W x 13" H	84 inches	24 lbs
WSS-1696	98" L x 17" W x 4" H	16" D x 96" W x 13" H	96 inches	26 lbs
WSS-16108	110" L x 17" W x 4" H	16" D x 108" W x 13" H	108 inches	28 lbs
WSS-16120	122" L x 17" W x 4" H	16" D x 120" W x 13" H	120 inches	30 lbs

# Stainless Steel Wall Mount Shelf

WSS-1648



Size:	16" D x 48" W x 13" H
Weight	18 lbs
Width	48 inches
Shipping Size	50" L x 17" W x 4" H

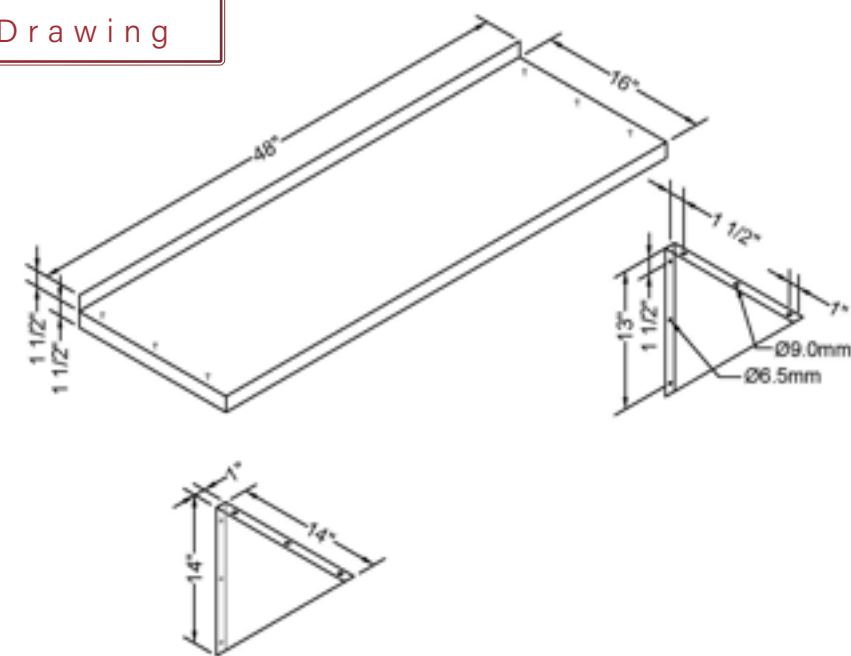
## Wall Mount Shelf, 16"x48"

### Features



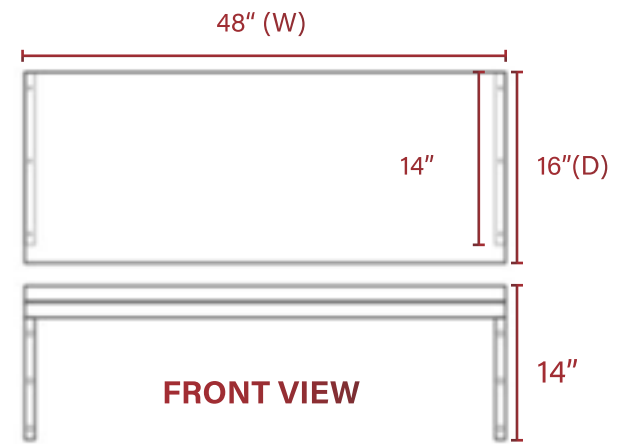
- ✓ Constructed from 18-gauge, Type 430 stainless steel for superior strength.
- ✓ Simple to assemble and install.
- ✓ Robust and safe for heavy-duty use.
- ✓ Reinforced steel construction surpasses industry standards.
- ✗ Mounting hardware for wall installation not included.
- ✓ Additional center support included for units 72" and longer.
- ✓ Corrosion-resistant for extended lifespan in various environments.
- ✓ Smooth, easy-to-clean surface for hygiene and maintenance.
- ✓ Designed to hold significant weight, ideal for commercial kitchens.

### WSS-1648 Technical Drawing

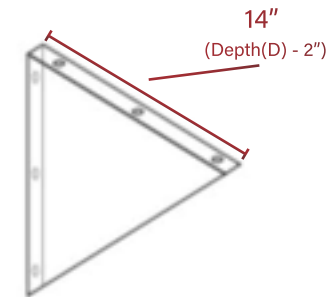


TOP VIEW

BRACKET



FRONT VIEW



Model	Shipping Deminsons	Product Size	Width	Weight
WSS-1624	26" L x 17" W x 4" H	16" D x 24" W x 13" H	24 inches	12 lbs
WSS-1630	32" L x 17" W x 4" H	16" D x 30" W x 13" H	30 inches	14 lbs
WSS-1636	38" L x 17" W x 4" H	16" D x 36" W x 13" H	36 inches	16 lbs
WSS-1648	50" L x 17" W x 4" H	16" D x 48" W x 13" H	48 inches	18 lbs
WSS-1660	62" L x 17" W x 4" H	16" D x 60" W x 13" H	60 inches	20 lbs
WSS-1672	74" L x 17" W x 4" H	16" D x 72" W x 13" H	72 inches	22 lbs
WSS-1684	86" L x 17" W x 4" H	16" D x 84" W x 13" H	84 inches	24 lbs
WSS-1696	98" L x 17" W x 4" H	16" D x 96" W x 13" H	96 inches	26 lbs
WSS-16108	110" L x 17" W x 4" H	16" D x 108" W x 13" H	108 inches	28 lbs
WSS-16120	122" L x 17" W x 4" H	16" D x 120" W x 13" H	120 inches	30 lbs



# Stainless Steel Wall Mount Shelf

## WSS-1660



Size:	16" D x 60" W x 13" H
Weight	20 lbs
Width	60 inches
Shipping Size	62" L x 17" W x 4" H

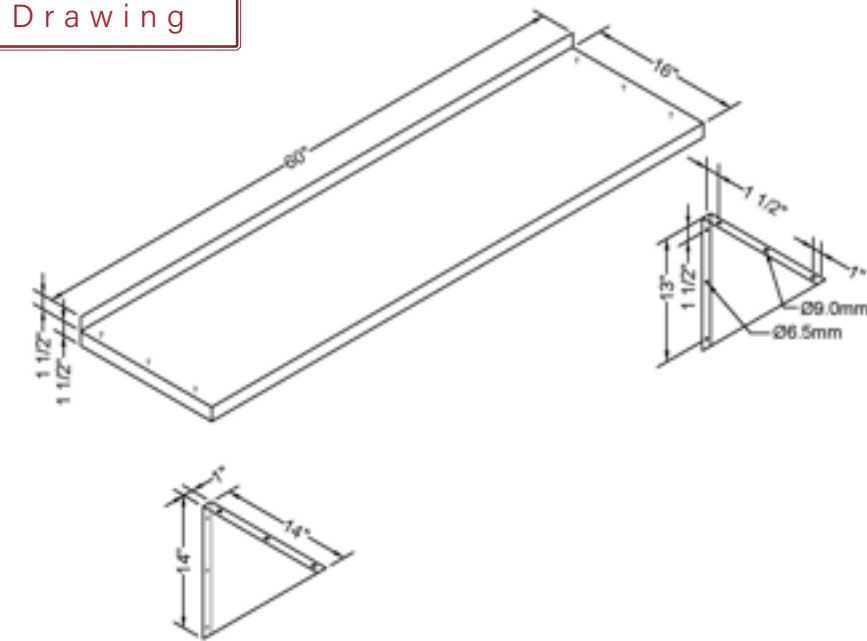
### Wall Mount Shelf, 16"x60"

### Features



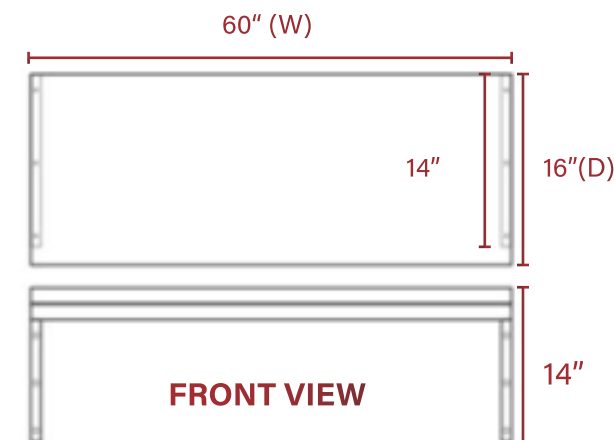
- ✓ Constructed from 18-gauge, Type 430 stainless steel for superior strength.
- ✓ Simple to assemble and install.
- ✓ Robust and safe for heavy-duty use.
- ✓ Reinforced steel construction surpasses industry standards.
- ✗ Mounting hardware for wall installation not included.
- ✓ Additional center support included for units 72" and longer.
- ✓ Corrosion-resistant for extended lifespan in various environments.
- ✓ Smooth, easy-to-clean surface for hygiene and maintenance.
- ✓ Designed to hold significant weight, ideal for commercial kitchens.

## WSS-1660 Technical Drawing

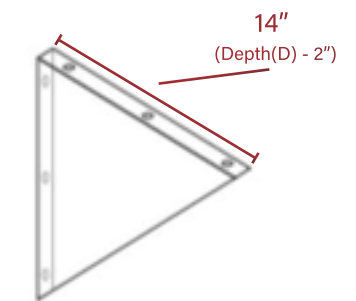


TOP VIEW

BRACKET



FRONT VIEW



Model	Shipping Deminsions	Product Size	Width	Weight
WSS-1624	26" L x 17" W x 4" H	16" D x 24" W x 13" H	24 inches	12 lbs
WSS-1630	32" L x 17" W x 4" H	16" D x 30" W x 13" H	30 inches	14 lbs
WSS-1636	38" L x 17" W x 4" H	16" D x 36" W x 13" H	36 inches	16 lbs
WSS-1648	50" L x 17" W x 4" H	16" D x 48" W x 13" H	48 inches	18 lbs
WSS-1660	62" L x 17" W x 4" H	16" D x 60" W x 13" H	60 inches	20 lbs
WSS-1672	74" L x 17" W x 4" H	16" D x 72" W x 13" H	72 inches	22 lbs
WSS-1684	86" L x 17" W x 4" H	16" D x 84" W x 13" H	84 inches	24 lbs
WSS-1696	98" L x 17" W x 4" H	16" D x 96" W x 13" H	96 inches	26 lbs
WSS-16108	110" L x 17" W x 4" H	16" D x 108" W x 13" H	108 inches	28 lbs
WSS-16120	122" L x 17" W x 4" H	16" D x 120" W x 13" H	120 inches	30 lbs

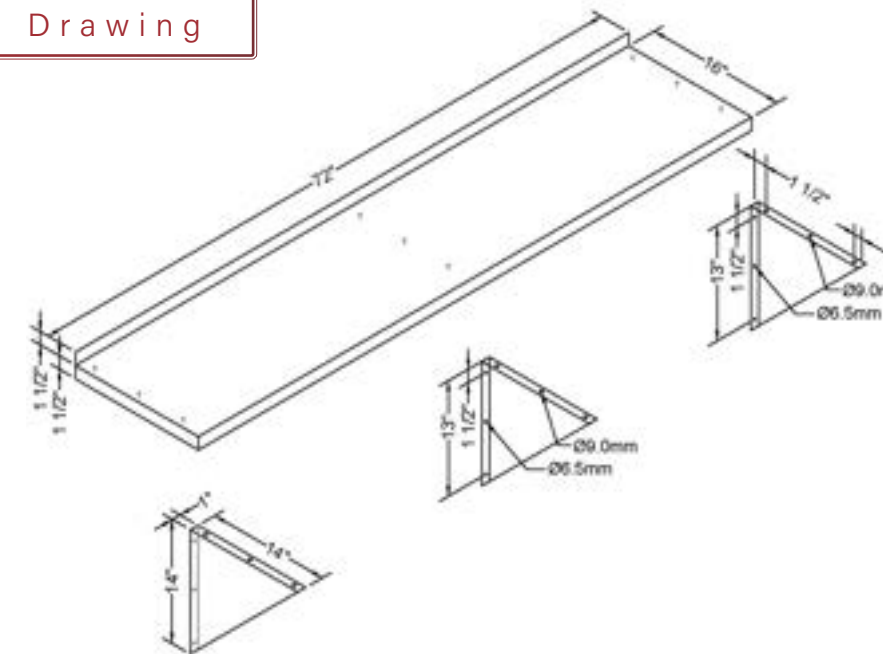
# Stainless Steel Wall Mount Shelf

## WSS-1672

Size:	16" D x 72" W x 13" H
Weight	22 lbs
Width	72 inches
Shipping Size	74" L x 17" W x 4" H

### WSS-1672

#### Technical Drawing



TOP VIEW

BRACKET

72" (W)

14"

16" (D)

FRONT VIEW

14"

14"  
(Depth(D) - 2")

### Wall Mount Shelf, 16"x72"

#### Features



- ✓ Constructed from 18-gauge, Type 430 stainless steel for superior strength.
- ✓ Simple to assemble and install.
- ✓ Robust and safe for heavy-duty use.
- ✓ Reinforced steel construction surpasses industry standards.
- ✗ Mounting hardware for wall installation not included.
- ✓ Additional center support included for units 72" and longer.
- ✓ Corrosion-resistant for extended lifespan in various environments.
- ✓ Smooth, easy-to-clean surface for hygiene and maintenance.
- ✓ Designed to hold significant weight, ideal for commercial kitchens.

Model	Shipping Demimensions	Product Size	Width	Weight
WSS-1624	26" L x 17" W x 4" H	16" D x 24" W x 13" H	24 inches	12 lbs
WSS-1630	32" L x 17" W x 4" H	16" D x 30" W x 13" H	30 inches	14 lbs
WSS-1636	38" L x 17" W x 4" H	16" D x 36" W x 13" H	36 inches	16 lbs
WSS-1648	50" L x 17" W x 4" H	16" D x 48" W x 13" H	48 inches	18 lbs
WSS-1660	62" L x 17" W x 4" H	16" D x 60" W x 13" H	60 inches	20 lbs
WSS-1672	74" L x 17" W x 4" H	16" D x 72" W x 13" H	72 inches	22 lbs
WSS-1684	86" L x 17" W x 4" H	16" D x 84" W x 13" H	84 inches	24 lbs
WSS-1696	98" L x 17" W x 4" H	16" D x 96" W x 13" H	96 inches	26 lbs
WSS-16108	110" L x 17" W x 4" H	16" D x 108" W x 13" H	108 inches	28 lbs
WSS-16120	122" L x 17" W x 4" H	16" D x 120" W x 13" H	120 inches	30 lbs

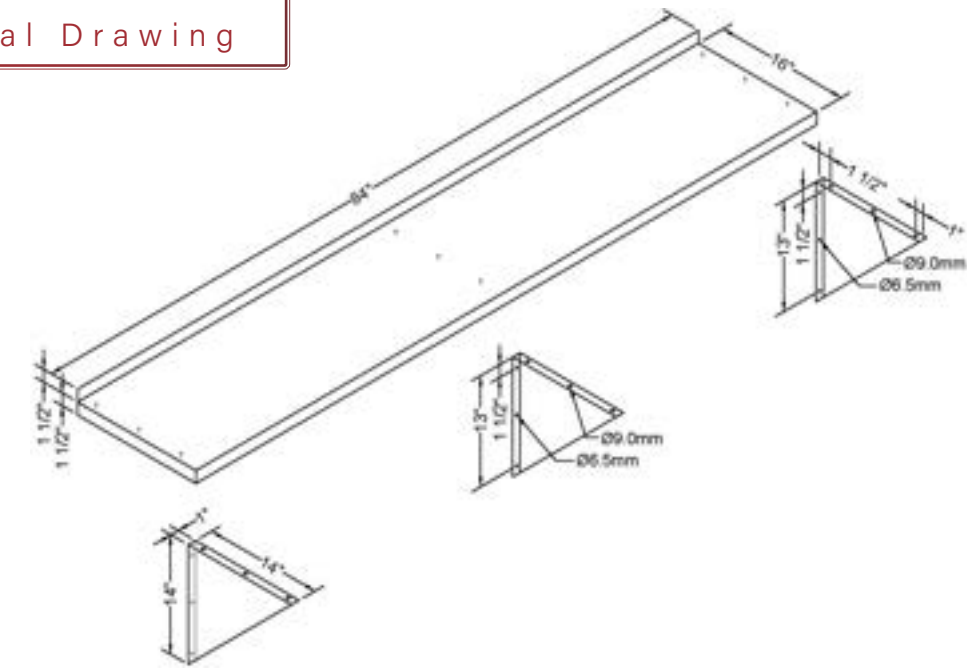
# Stainless Steel Wall Mount Shelf

## WSS-1684

Size:	16" D x 84" W x 13" H
Weight	24 lbs
Width	84 inches
Shipping Size	86" L x 17" W x 4" H

## WSS-1684

### Technical Drawing



TOP VIEW

BRACKET

84" (W)

14"

16"(D)

14"  
(Depth(D) - 2")

FRONT VIEW

14"

## Wall Mount Shelf, 16"x84"

### Features



- ✓ Constructed from 18-gauge, Type 430 stainless steel for superior strength.
- ✓ Simple to assemble and install.
- ✓ Robust and safe for heavy-duty use.
- ✓ Reinforced steel construction surpasses industry standards.
- ✗ Mounting hardware for wall installation not included.
- ✓ Additional center support included for units 72" and longer.
- ✓ Corrosion-resistant for extended lifespan in various environments.
- ✓ Smooth, easy-to-clean surface for hygiene and maintenance.
- ✓ Designed to hold significant weight, ideal for commercial kitchens.

Model	Shipping Demimensions	Product Size	Width	Weight
WSS-1624	26" L x 17" W x 4" H	16" D x 24" W x 13" H	24 inches	12 lbs
WSS-1630	32" L x 17" W x 4" H	16" D x 30" W x 13" H	30 inches	14 lbs
WSS-1636	38" L x 17" W x 4" H	16" D x 36" W x 13" H	36 inches	16 lbs
WSS-1648	50" L x 17" W x 4" H	16" D x 48" W x 13" H	48 inches	18 lbs
WSS-1660	62" L x 17" W x 4" H	16" D x 60" W x 13" H	60 inches	20 lbs
WSS-1672	74" L x 17" W x 4" H	16" D x 72" W x 13" H	72 inches	22 lbs
WSS-1684	86" L x 17" W x 4" H	16" D x 84" W x 13" H	84 inches	24 lbs
WSS-1696	98" L x 17" W x 4" H	16" D x 96" W x 13" H	96 inches	26 lbs
WSS-16108	110" L x 17" W x 4" H	16" D x 108" W x 13" H	108 inches	28 lbs
WSS-16120	122" L x 17" W x 4" H	16" D x 120" W x 13" H	120 inches	30 lbs



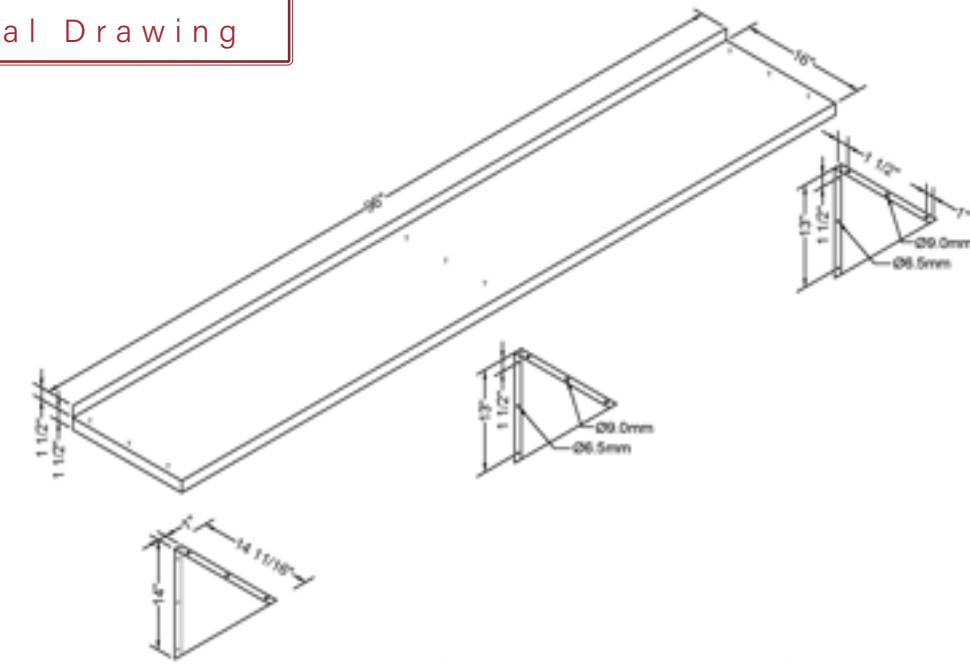
# Stainless Steel Wall Mount Shelf

## WSS-1696

Size:	16" D x 96" W x 13" H
Weight	26 lbs
Width	96 inches
Shipping Size	98" L x 17" W x 4" H

### WSS-1696

#### Technical Drawing



TOP VIEW

BRACKET

96" (W)

14.3125"  
(Depth(D) - 2")

14.3125"

16" (D)

FRONT VIEW

14.3125"

## Wall Mount Shelf, 16"x96"

### Features



- ✓ Constructed from 18-gauge, Type 430 stainless steel for superior strength.
- ✓ Simple to assemble and install.
- ✓ Robust and safe for heavy-duty use.
- ✓ Reinforced steel construction surpasses industry standards.
- ✗ Mounting hardware for wall installation not included.
- ✓ Additional center support included for units 72" and longer.
- ✓ Corrosion-resistant for extended lifespan in various environments.
- ✓ Smooth, easy-to-clean surface for hygiene and maintenance.
- ✓ Designed to hold significant weight, ideal for commercial kitchens.

Model	Shipping Deminions	Product Size	Width	Weight
WSS-1624	26" L x 17" W x 4" H	16" D x 24" W x 13" H	24 inches	12 lbs
WSS-1630	32" L x 17" W x 4" H	16" D x 30" W x 13" H	30 inches	14 lbs
WSS-1636	38" L x 17" W x 4" H	16" D x 36" W x 13" H	36 inches	16 lbs
WSS-1648	50" L x 17" W x 4" H	16" D x 48" W x 13" H	48 inches	18 lbs
WSS-1660	62" L x 17" W x 4" H	16" D x 60" W x 13" H	60 inches	20 lbs
WSS-1672	74" L x 17" W x 4" H	16" D x 72" W x 13" H	72 inches	22 lbs
WSS-1684	86" L x 17" W x 4" H	16" D x 84" W x 13" H	84 inches	24 lbs
WSS-1696	98" L x 17" W x 4" H	16" D x 96" W x 13" H	96 inches	26 lbs
WSS-16108	110" L x 17" W x 4" H	16" D x 108" W x 13" H	108 inches	28 lbs
WSS-16120	122" L x 17" W x 4" H	16" D x 120" W x 13" H	120 inches	30 lbs

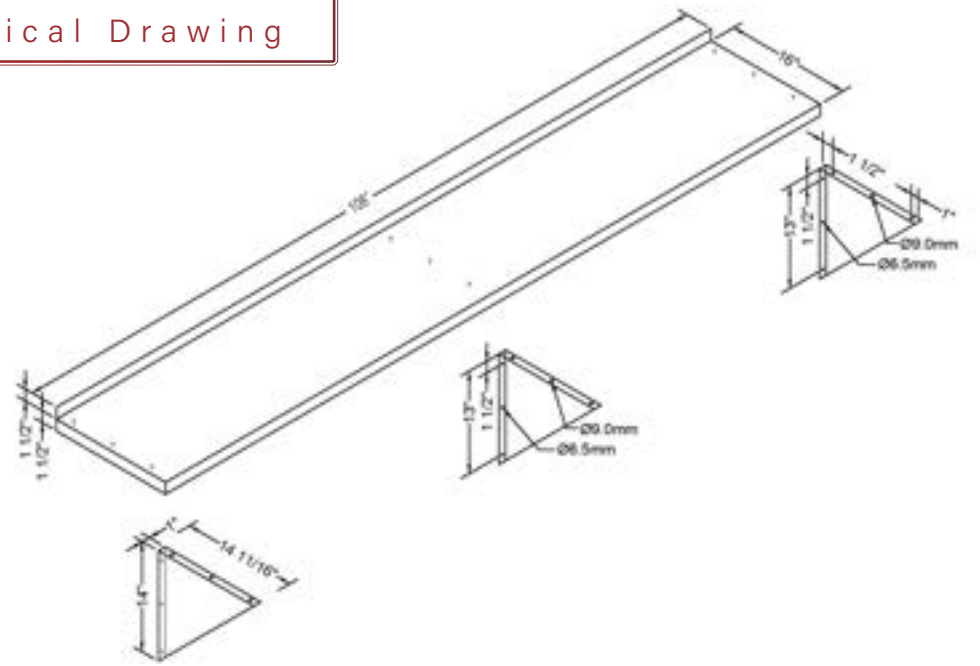
**WSS-16108**  
Technical Drawing

**Stainless Steel  
Wall Mount Shelf**



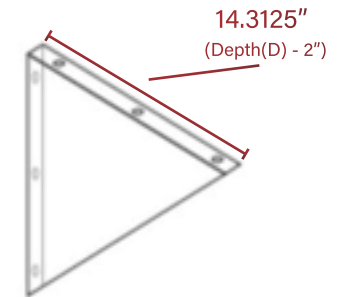
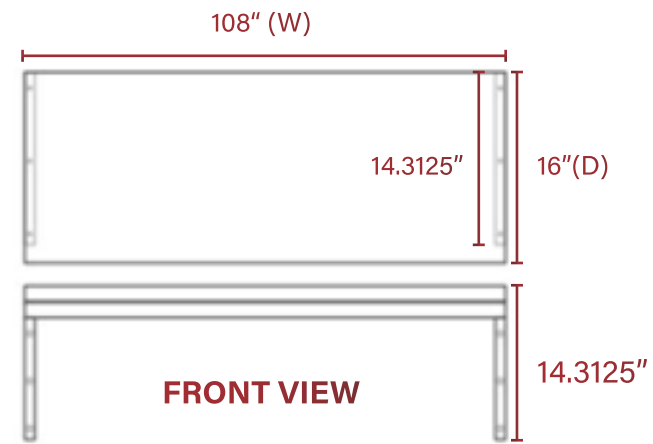
**WSS-16108**

Size:	16" D x 108" W x 13" H
Weight	28 lbs
Width	108 inches
Shipping Size	110" L x 17" W x 4" H



**TOP VIEW**

**BRACKET**



**Wall Mount Shelf, 16"x108"**

**Features**



- ✓ Constructed from 18-gauge, Type 430 stainless steel for superior strength.
- ✓ Simple to assemble and install.
- ✓ Robust and safe for heavy-duty use.
- ✓ Reinforced steel construction surpasses industry standards.
- ✗ Mounting hardware for wall installation not included.
- ✓ Additional center support included for units 72" and longer.
- ✓ Corrosion-resistant for extended lifespan in various environments.
- ✓ Smooth, easy-to-clean surface for hygiene and maintenance.
- ✓ Designed to hold significant weight, ideal for commercial kitchens.

Model	Shipping Deminions	Product Size	Width	Weight
WSS-1624	26" L x 17" W x 4" H	16" D x 24" W x 13" H	24 inches	12 lbs
WSS-1630	32" L x 17" W x 4" H	16" D x 30" W x 13" H	30 inches	14 lbs
WSS-1636	38" L x 17" W x 4" H	16" D x 36" W x 13" H	36 inches	16 lbs
WSS-1648	50" L x 17" W x 4" H	16" D x 48" W x 13" H	48 inches	18 lbs
WSS-1660	62" L x 17" W x 4" H	16" D x 60" W x 13" H	60 inches	20 lbs
WSS-1672	74" L x 17" W x 4" H	16" D x 72" W x 13" H	72 inches	22 lbs
WSS-1684	86" L x 17" W x 4" H	16" D x 84" W x 13" H	84 inches	24 lbs
WSS-1696	98" L x 17" W x 4" H	16" D x 96" W x 13" H	96 inches	26 lbs
WSS-16108	110" L x 17" W x 4" H	16" D x 108" W x 13" H	108 inches	28 lbs
WSS-16120	122" L x 17" W x 4" H	16" D x 120" W x 13" H	120 inches	30 lbs







## Stainless Steel Wall Mount Shelf

### WMSM-1818

Size:	18" D x 18" W x 10" H
Weight	15 lbs
Width	18 inches
Shipping Size	19" L x 19" W x 11" H

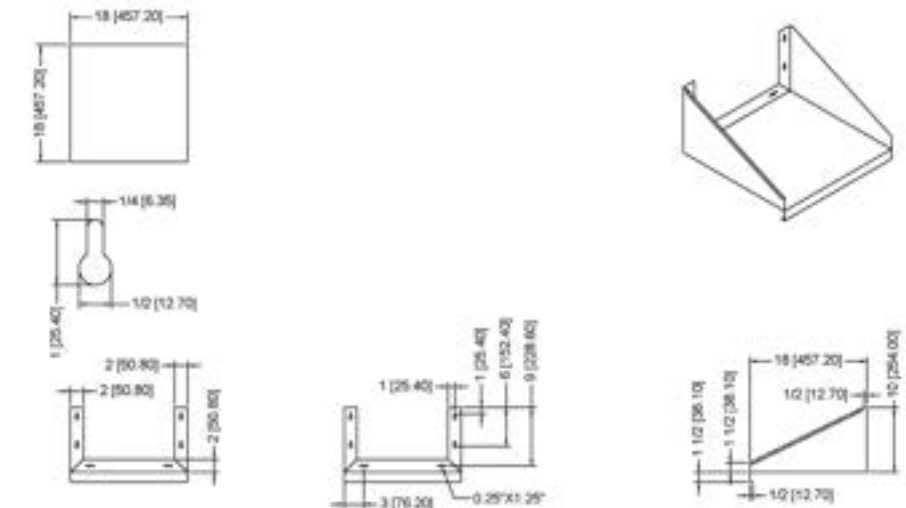
### Wall Mount Microwave Shelf, 18"x18"

#### Features



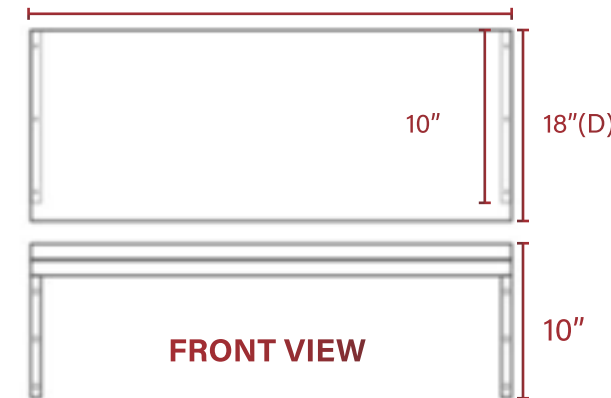
- ✓ Constructed from 18-gauge, Type 430 stainless steel for superior strength.
- ✓ Simple to assemble and install.
- ✓ Robust and safe for heavy-duty use.
- ✓ Reinforced steel construction surpasses industry standards.
- ✗ Mounting hardware for wall installation not included.
- ✓ Incorporates a splash guard for added cleanliness and durability.
- ✓ Corrosion-resistant for extended lifespan in various environments.
- ✓ Smooth, easy-to-clean surface for hygiene and maintenance.
- ✓ Designed to hold significant weight, ideal for commercial kitchens.

### WMSM-1818 Technical Drawing



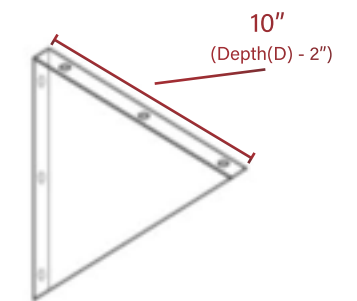
TOP VIEW

18" (W)



FRONT VIEW

BRACKET



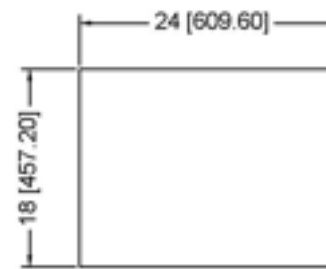
Model	Shipping Deminions	Product Size	Width	Weight
WSS-1624	26" L x 17" W x 4" H	16" D x 24" W x 13" H	24 inches	12 lbs
WSS-1630	32" L x 17" W x 4" H	16" D x 30" W x 13" H	30 inches	14 lbs
WSS-1636	38" L x 17" W x 4" H	16" D x 36" W x 13" H	36 inches	16 lbs
WSS-1648	50" L x 17" W x 4" H	16" D x 48" W x 13" H	48 inches	18 lbs
WSS-1660	62" L x 17" W x 4" H	16" D x 60" W x 13" H	60 inches	20 lbs
WSS-1672	74" L x 17" W x 4" H	16" D x 72" W x 13" H	72 inches	22 lbs
WSS-1684	86" L x 17" W x 4" H	16" D x 84" W x 13" H	84 inches	24 lbs
WSS-1696	98" L x 17" W x 4" H	16" D x 96" W x 13" H	96 inches	26 lbs
WSS-16108	110" L x 17" W x 4" H	16" D x 108" W x 13" H	108 inches	28 lbs
WSS-16120	122" L x 17" W x 4" H	16" D x 120" W x 13" H	120 inches	30 lbs

# Stainless Steel Wall Mount Microwave Shelf

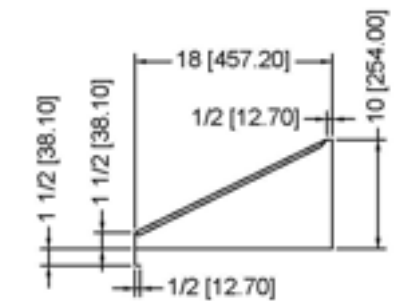
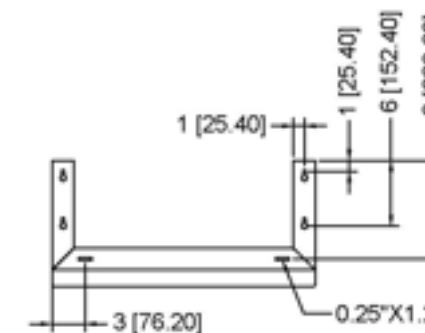
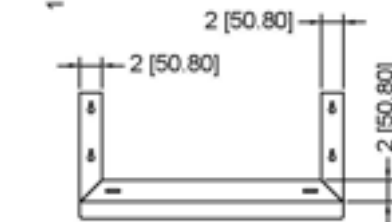
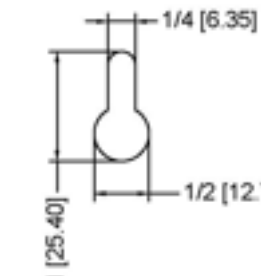
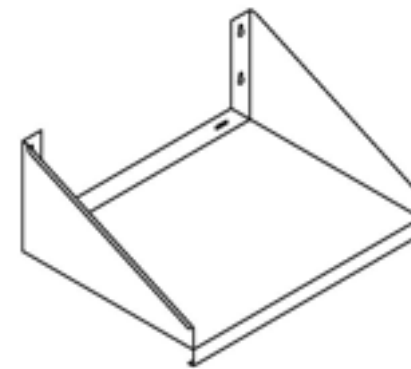
## WMSM-1824



Size:	18" D x 24" W x 10" H
Weight	18 lbs
Width	24 inches
Shipping Size	25" L x 19" W x 11" H



**WMSM-1824**  
Technical Drawing



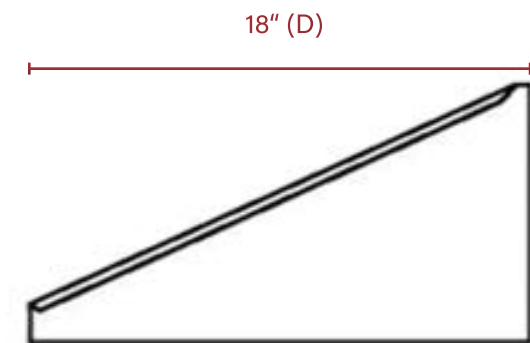
### Wall Mount Microwave Shelf, 18"x24"

### Features

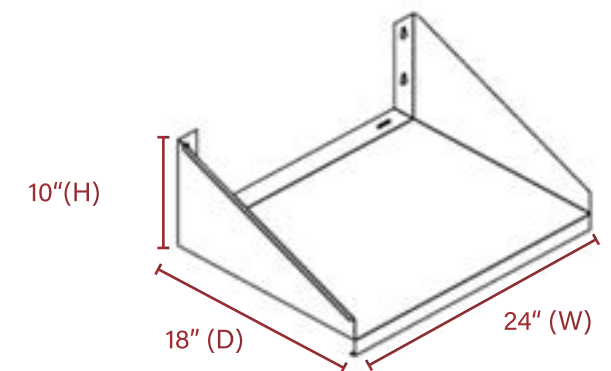


- Constructed from 18-gauge, Type 430 stainless steel for superior strength.
- Simple to assemble and install.
- Robust and safe for heavy-duty use.
- Reinforced steel construction surpasses industry standards.
- Mounting hardware for wall installation not included.
- Incorporates a splash guard for added cleanliness and durability.
- Corrosion-resistant for extended lifespan in various environments.
- Smooth, easy-to-clean surface for hygiene and maintenance.
- Designed to hold significant weight, ideal for commercial kitchens.

SIDE VIEW



3D VIEW



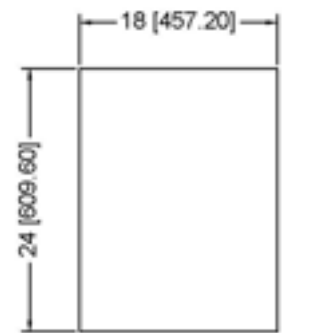
Model	Shipping Deminsions	Product Size	Width	Weight
WMSM-1818	19" L x 19" W x 11" H	18" D x 18" W x 10" H	18 inches	15 lbs
WMSM-1824	25" L x 19" W x 11" H	18" D x 24" W x 10" H	24 inches	18 lbs
WMSM-2418	19" L x 25" W x 11" H	24" D x 18" W x 10" H	18 inches	20 lbs
WMSM-2424	25" L x 25" W x 11" H	24" D x 24" W x 10" H	24 inches	25 lbs

# Stainless Steel Wall Mount Microwave Shelf

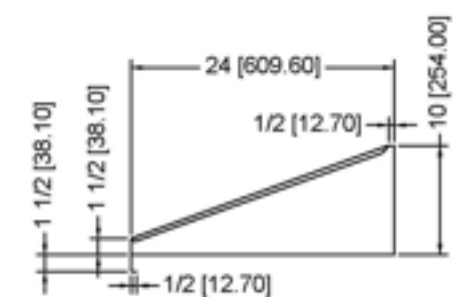
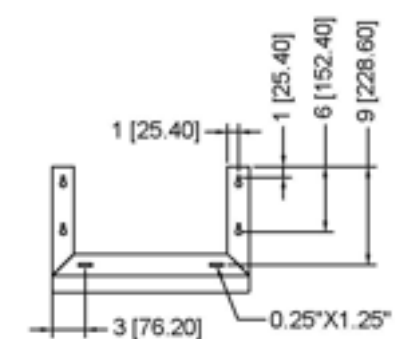
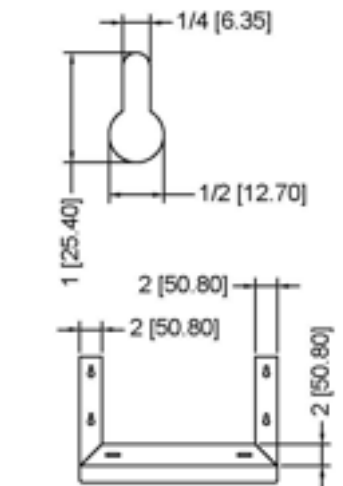
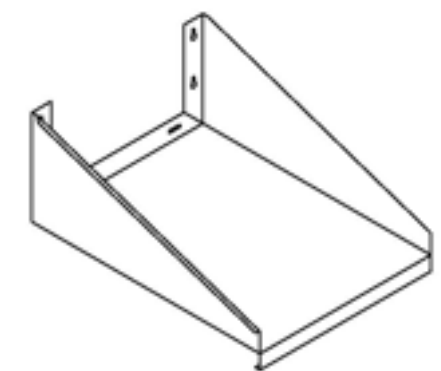
## WMSM-2418



Size:	24" D x 18" W x 10" H
Weight	20 lbs
Width	18 inches
Shipping Size	19" L x 25" W x 11" H



**WMSM-2418**  
Technical Drawing



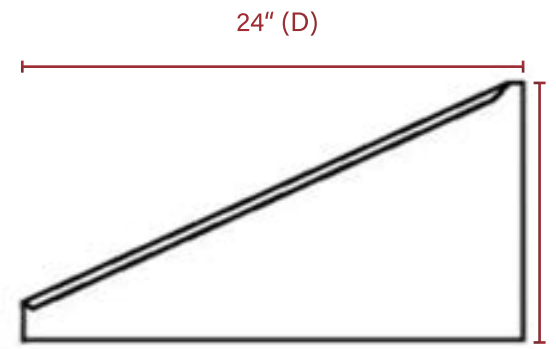
### Wall Mount Microwave Shelf, 24"x18"

### Features

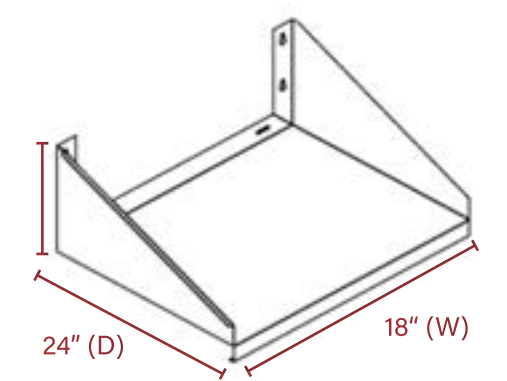


- Constructed from 18-gauge, Type 430 stainless steel for superior strength.
- Simple to assemble and install.
- Robust and safe for heavy-duty use.
- Reinforced steel construction surpasses industry standards.
- Mounting hardware for wall installation not included.
- Incorporates a splash guard for added cleanliness and durability.
- Corrosion-resistant for extended lifespan in various environments.
- Smooth, easy-to-clean surface for hygiene and maintenance.
- Designed to hold significant weight, ideal for commercial kitchens.

SIDE VIEW



3D VIEW



Model	Shipping Deminsions	Product Size	Width	Weight
WMSM-1818	19" L x 19" W x 11" H	18" D x 18" W x 10" H	18 inches	15 lbs
WMSM-1824	25" L x 19" W x 11" H	18" D x 24" W x 10" H	24 inches	18 lbs
WMSM-2418	19" L x 25" W x 11" H	24" D x 18" W x 10" H	18 inches	20 lbs
WMSM-2424	25" L x 25" W x 11" H	24" D x 24" W x 10" H	24 inches	25 lbs



# Stainless Steel Wall Mount Microwave Shelf

## WMSM-2424



Size:	24" D x 24" W x 10" H
Weight	25 lbs
Width	24 inches
Shipping Size	25" L x 25" W x 11" H

### Wall Mount Microwave Shelf, 24"x24"

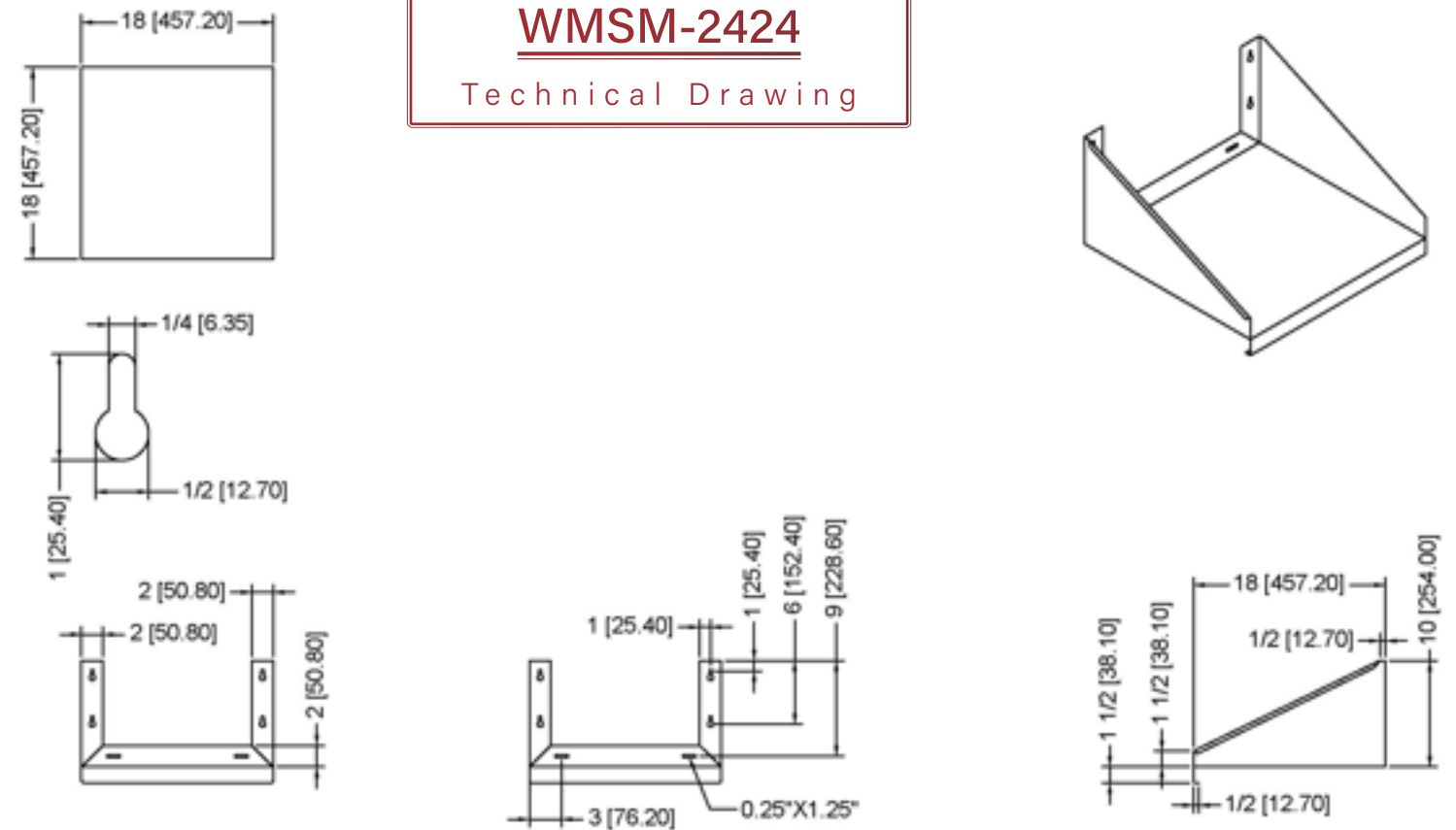
### Features



- Constructed from 18-gauge, Type 430 stainless steel for superior strength.
- Simple to assemble and install.
- Robust and safe for heavy-duty use.
- Reinforced steel construction surpasses industry standards.
- Mounting hardware for wall installation not included.
- Incorporates a splash guard for added cleanliness and durability.
- Corrosion-resistant for extended lifespan in various environments.
- Smooth, easy-to-clean surface for hygiene and maintenance.
- Designed to hold significant weight, ideal for commercial kitchens.

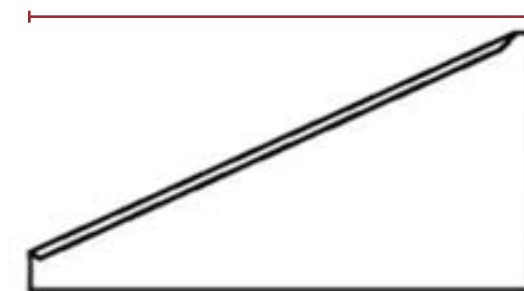
### WMSM-2424

### Technical Drawing



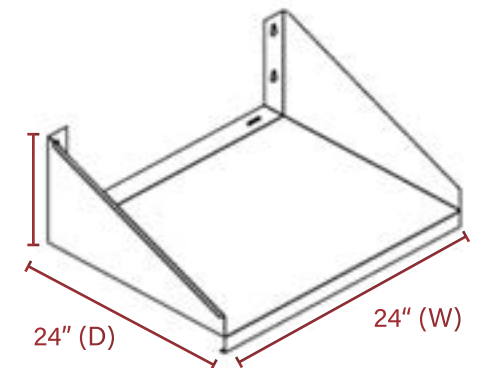
SIDE VIEW

24" (D)



3D VIEW

10"(H)



Model	Shipping Deminsions	Product Size	Width	Weight
WMSM-1818	19" L x 19" W x 11" H	18" D x 18" W x 10" H	18 inches	15 lbs
WMSM-1824	25" L x 19" W x 11" H	18" D x 24" W x 10" H	24 inches	18 lbs
WMSM-2418	19" L x 25" W x 11" H	24" D x 18" W x 10" H	18 inches	20 lbs
WMSM-2424	25" L x 25" W x 11" H	24" D x 24" W x 10" H	24 inches	25 lbs



# COMMERCIAL WIRE SHELVING

ICE AGE REFRIGERATION INC

121 McLean Drive, Vancouver BC, Canada

 If the data and structure update, without notice, subject to material object.

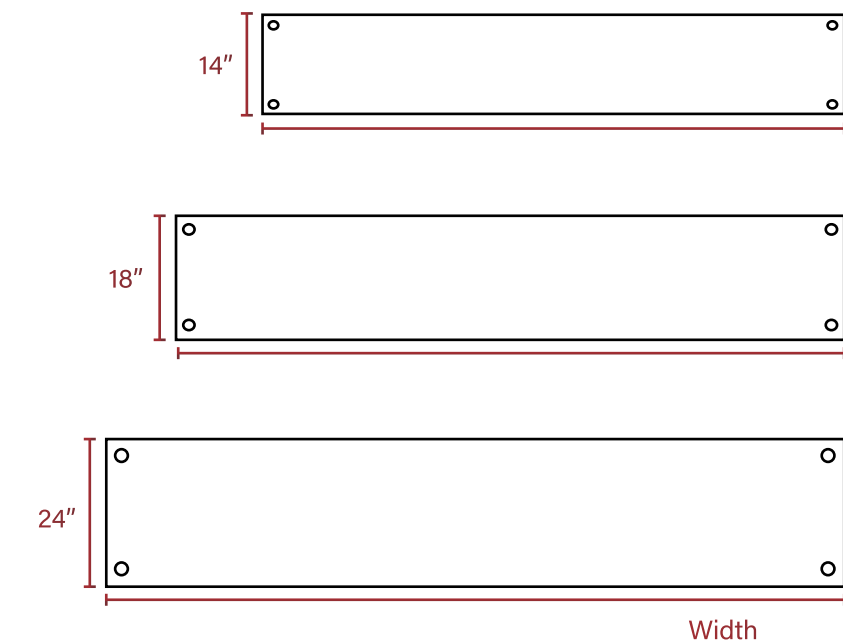
# Chrome & Epoxy Wire Shelving

WS-####(EP/CH)

Depth:	14", 18", 24" deep
Weight:	24" to 72" lbs
Shelf Quantity:	4 shelves; 2 for 18" x 48" and up inches
Post Size:	4 posts



TOP VIEW



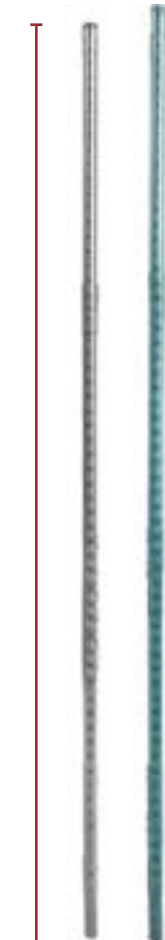
## Chrome & Epoxy Wire Shelving & Posts

### Features



- ✓ Provides long-lasting protection and extends shelf life.
- ✓ Chrome ideal for dry and showcase while epoxy is most suitable for wet applications.
- ✓ Suitable for various environments including coolers, freezers, and dry storage.
- ✓ Shelves up to 48" support 600 lbs; shelves 54" and longer support 400 lbs.
- ✓ Coverage against rust and corrosion for added peace of mind.
- ✓ Designed for quick and straightforward assembly without the need for tools.
- ✓ Shelves can be positioned at different heights to accommodate varying storage needs.
- ✓ All units are shipped unassembled to minimize shipping costs and packaging waste.
- ✓ Available in various sizes and configurations to fit specific storage requirements.

Height



### Chrome & Epoxy Wire Shelves

Model	Shipping Size	Product Size	Width	Weight
WS-1424(EP/CH)	25"W x 15"D x 7"H	14"D x 24"W	24"	24 lbs
WS-1436(EP/CH)	37"W x 15"D x 7"H	14"D x 36"W	36"	34 lbs
WS-1448(EP/CH)	49"W x 15"D x 7"H	14"D x 48"W	48"	43 lbs
WS-1460(EP/CH)	61"W x 15"D x 4"H	14"D x 60"W	60"	30 lbs
WS-1836(EP/CH)	37"W x 19"D x 7"H	18"D x 36"W	36"	34 lbs
WS-1848(EP/CH)	49"W x 19"D x 7"H	18"D x 48"W	48"	48 lbs
WS-1854(EP/CH)	55"W x 19"D x 4"H	18"D x 54"W	54"	29 lbs
WS-1860(EP/CH)	61"W x 19"D x 4"H	18"D x 60"W	60"	31 lbs
WS-1872(EP/CH)	73"W x 19"D x 4"H	18"D x 72"W	72"	38 lbs
WS-2424(EP/CH)	25"W x 25"D x 7"H	24"D x 24"W	24"	34 lbs
WS-2436(EP/CH)	37"W x 25"D x 7"H	24"D x 36"W	36"	48 lbs
WS-2448(EP/CH)	49"W x 25"D x 7"H	24"D x 48"W	48"	62 lbs
WS-2460(EP/CH)	61"W x 25"D x 4"H	24"D x 60"W	60"	42 lbs
WS-2472(EP/CH)	73"W x 25"D x 4"H	24"D x 72"W	72"	50 lbs

### Chrome & Epoxy Wire Posts

Model	Shipping Size	Product Size	Height	Weight
WP-64(EP/CH)	25"W x 15"D x 7"H	14"D x 24"W	64"	15 lbs
WP-74(EP/CH)	37"W x 15"D x 7"H	14"D x 36"W	74"	17 lbs
WP-86(EP/CH)	49"W x 15"D x 7"H	14"D x 48"W	86"	20 lbs

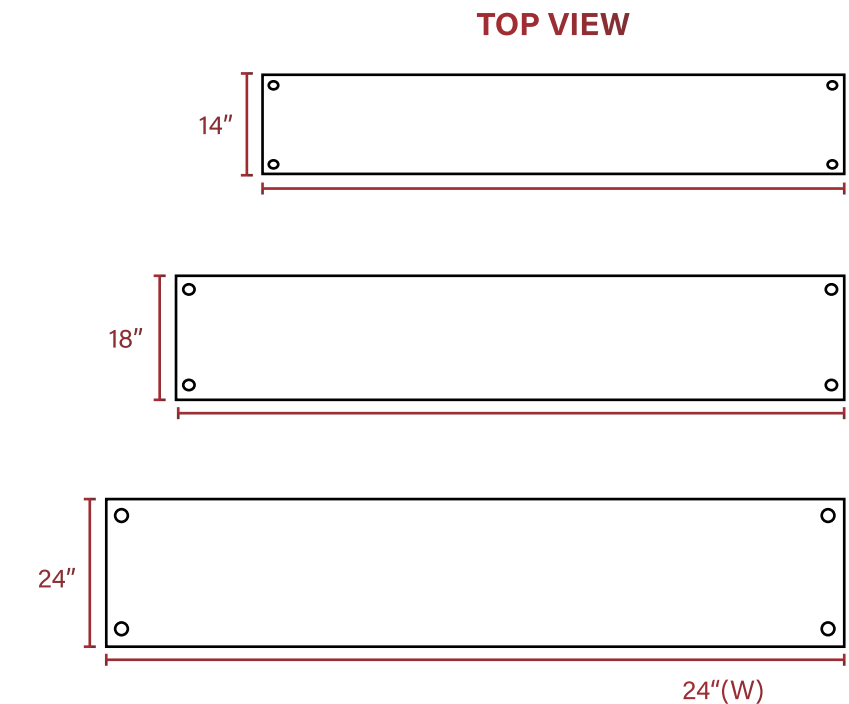




## 14" Epoxy Wire Shelving & Posts

WS-1424EP

Size:	14"D x 24"W
Weight:	24 lbs
Width:	24 inches
Shipping Size:	25"W x 15"D x 7"H



## 14" Epoxy Wire Shelving & Posts

### Features



- ✓ Provides long-lasting protection and extends shelf life.
- ✓ Inhibiting coating ideal for both wet and dry applications.
- ✓ Suitable for various environments including coolers, freezers, and dry storage.
- ✓ Shelves up to 48" support 600 lbs; shelves 54" and longer support 400 lbs.
- ✓ Coverage against rust and corrosion for added peace of mind.
- ✓ Designed for quick and straightforward assembly without the need for tools.
- ✓ Shelves can be positioned at different heights to accommodate varying storage needs.
- ✓ All units are shipped unassembled to minimize shipping costs and packaging waste.
- ✓ Available in various sizes and configurations to fit specific storage requirements.

Height

### Chrome & Epoxy Wire Shelves

Model	EP = Epoxy CH = Chrome	Shipping Size	Product Size	Width	Weight
WS-1424	(EP/CH)	25"W x 15"D x 7"H	14"D x 24"W	24"	24 lbs
WS-1436	(EP/CH)	37"W x 15"D x 7"H	14"D x 36"W	36"	34 lbs
WS-1448	(EP/CH)	49"W x 15"D x 7"H	14"D x 48"W	48"	43 lbs
WS-1460	(EP/CH)	61"W x 15"D x 4"H	14"D x 60"W	60"	30 lbs
WS-1836	(EP/CH)	37"W x 19"D x 7"H	18"D x 36"W	36"	34 lbs
WS-1848	(EP/CH)	49"W x 19"D x 7"H	18"D x 48"W	48"	48 lbs
WS-1854	(EP/CH)	55"W x 19"D x 4"H	18"D x 54"W	54"	29 lbs
WS-1860	(EP/CH)	61"W x 19"D x 4"H	18"D x 60"W	60"	31 lbs
WS-1872	(EP/CH)	73"W x 19"D x 4"H	18"D x 72"W	72"	38 lbs
WS-2424	(EP/CH)	25"W x 25"D x 7"H	24"D x 24"W	24"	34 lbs
WS-2436	(EP/CH)	37"W x 25"D x 7"H	24"D x 36"W	36"	48 lbs
WS-2448	(EP/CH)	49"W x 25"D x 7"H	24"D x 48"W	48"	62 lbs
WS-2460	(EP/CH)	61"W x 25"D x 4"H	24"D x 60"W	60"	42 lbs
WS-2472	(EP/CH)	73"W x 25"D x 4"H	24"D x 72"W	72"	50 lbs

### Chrome & Epoxy Wire Posts

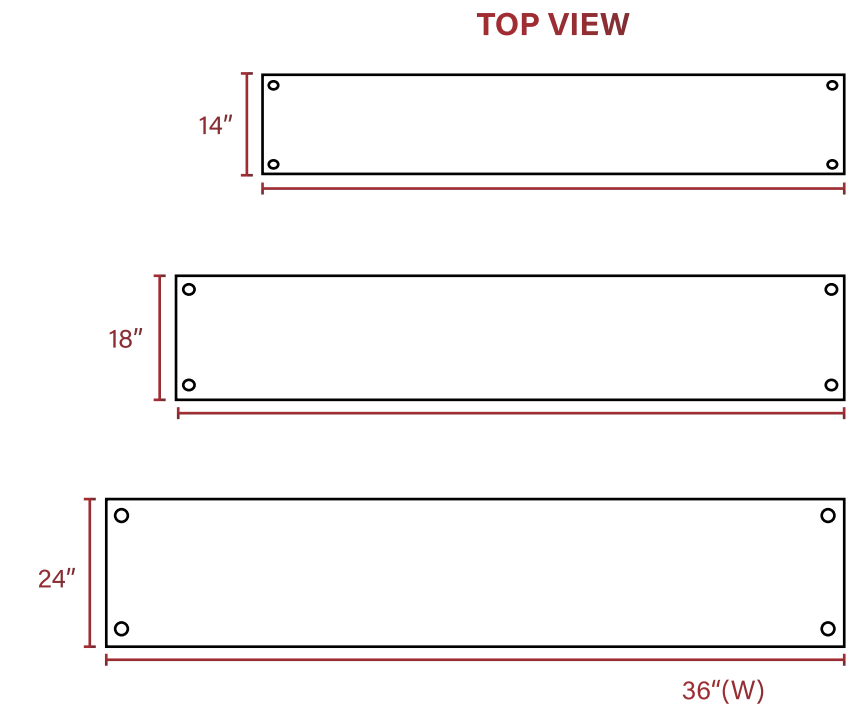
Model	EP = Epoxy CH = Chrome	Shipping Size	Product Size	Height	Weight
WP-64	(EP/CH)	25"W x 15"D x 7"H	14"D x 24"W	64"	15 lbs
WP-74	(EP/CH)	37"W x 15"D x 7"H	14"D x 36"W	74"	17 lbs
WP-86	(EP/CH)	49"W x 15"D x 7"H	14"D x 48"W	86"	20 lbs



## 14" Epoxy Wire Shelving & Posts

WS-1436EP

Size:	14"D x 36"W
Weight:	34 lbs
Width:	36 inches
Shipping Size:	37"W x 15"D x 7"H



## 14" Epoxy Wire Shelving & Posts

### Features



- ✓ Provides long-lasting protection and extends shelf life.
- ✓ Inhibiting coating ideal for both wet and dry applications.
- ✓ Suitable for various environments including coolers, freezers, and dry storage.
- ✓ Shelves up to 48" support 600 lbs; shelves 54" and longer support 400 lbs.
- ✓ Coverage against rust and corrosion for added peace of mind.
- ✓ Designed for quick and straightforward assembly without the need for tools.
- ✓ Shelves can be positioned at different heights to accommodate varying storage needs.
- ✓ All units are shipped unassembled to minimize shipping costs and packaging waste.
- ✓ Available in various sizes and configurations to fit specific storage requirements.

Height

### Chrome & Epoxy Wire Shelves

Model	EP = Epoxy CH = Chrome	Shipping Size	Product Size	Width	Weight
WS-1424	(EP/CH)	25"W x 15"D x 7"H	14"D x 24"W	24"	24 lbs
WS-1436	(EP/CH)	37"W x 15"D x 7"H	14"D x 36"W	36"	34 lbs
WS-1448	(EP/CH)	49"W x 15"D x 7"H	14"D x 48"W	48"	43 lbs
WS-1460	(EP/CH)	61"W x 15"D x 4"H	14"D x 60"W	60"	30 lbs
WS-1836	(EP/CH)	37"W x 19"D x 7"H	18"D x 36"W	36"	34 lbs
WS-1848	(EP/CH)	49"W x 19"D x 7"H	18"D x 48"W	48"	48 lbs
WS-1854	(EP/CH)	55"W x 19"D x 4"H	18"D x 54"W	54"	29 lbs
WS-1860	(EP/CH)	61"W x 19"D x 4"H	18"D x 60"W	60"	31 lbs
WS-1872	(EP/CH)	73"W x 19"D x 4"H	18"D x 72"W	72"	38 lbs
WS-2424	(EP/CH)	25"W x 25"D x 7"H	24"D x 24"W	24"	34 lbs
WS-2436	(EP/CH)	37"W x 25"D x 7"H	24"D x 36"W	36"	48 lbs
WS-2448	(EP/CH)	49"W x 25"D x 7"H	24"D x 48"W	48"	62 lbs
WS-2460	(EP/CH)	61"W x 25"D x 4"H	24"D x 60"W	60"	42 lbs
WS-2472	(EP/CH)	73"W x 25"D x 4"H	24"D x 72"W	72"	50 lbs

### Chrome & Epoxy Wire Posts

Model	EP = Epoxy CH = Chrome	Shipping Size	Product Size	Height	Weight
WP-64	(EP/CH)	25"W x 15"D x 7"H	14"D x 24"W	64"	15 lbs
WP-74	(EP/CH)	37"W x 15"D x 7"H	14"D x 36"W	74"	17 lbs
WP-86	(EP/CH)	49"W x 15"D x 7"H	14"D x 48"W	86"	20 lbs

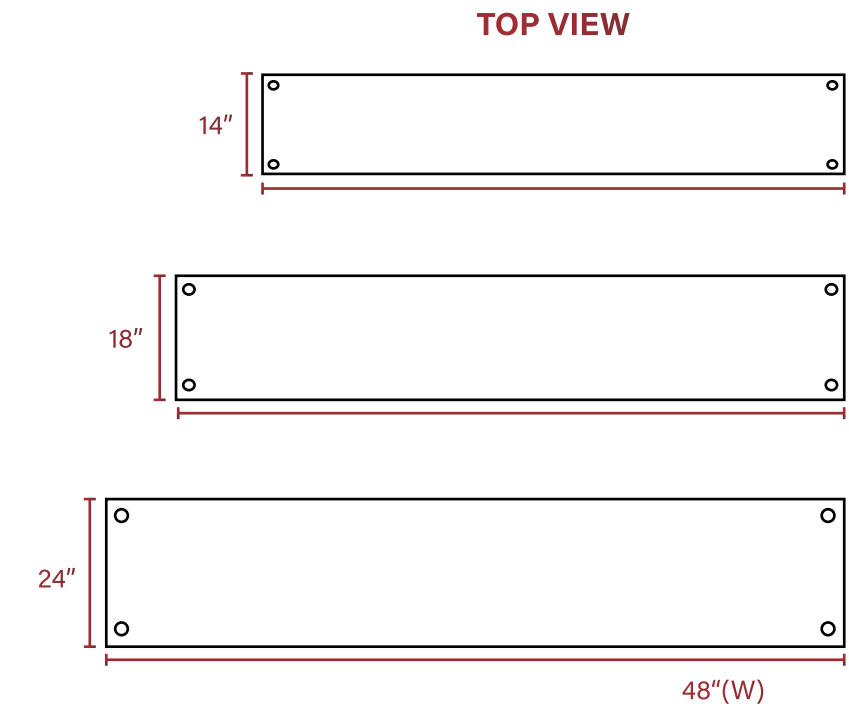




## 14" Epoxy Wire Shelving & Posts

WS-1448EP

Size:	14"D x 48"W
Weight:	43 lbs
Width:	48 inches
Shipping Size:	49"W x 15"D x 7"H



## 14" Epoxy Wire Shelving & Posts

### Features



- ✓ Provides long-lasting protection and extends shelf life.
- ✓ Inhibiting coating ideal for both wet and dry applications.
- ✓ Suitable for various environments including coolers, freezers, and dry storage.
- ✓ Shelves up to 48" support 600 lbs; shelves 54" and longer support 400 lbs.
- ✓ Coverage against rust and corrosion for added peace of mind.
- ✓ Designed for quick and straightforward assembly without the need for tools.
- ✓ Shelves can be positioned at different heights to accommodate varying storage needs.
- ✓ All units are shipped unassembled to minimize shipping costs and packaging waste.
- ✓ Available in various sizes and configurations to fit specific storage requirements.

Height

### Chrome & Epoxy Wire Shelves

Model	EP = Epoxy CH = Chrome	Shipping Size	Product Size	Width	Weight
WS-1424	(EP/CH)	25"W x 15"D x 7"H	14"D x 24"W	24"	24 lbs
WS-1436	(EP/CH)	37"W x 15"D x 7"H	14"D x 36"W	36"	34 lbs
WS-1448	(EP/CH)	49"W x 15"D x 7"H	14"D x 48"W	48"	43 lbs
WS-1460	(EP/CH)	61"W x 15"D x 4"H	14"D x 60"W	60"	30 lbs
WS-1836	(EP/CH)	37"W x 19"D x 7"H	18"D x 36"W	36"	34 lbs
WS-1848	(EP/CH)	49"W x 19"D x 7"H	18"D x 48"W	48"	48 lbs
WS-1854	(EP/CH)	55"W x 19"D x 4"H	18"D x 54"W	54"	29 lbs
WS-1860	(EP/CH)	61"W x 19"D x 4"H	18"D x 60"W	60"	31 lbs
WS-1872	(EP/CH)	73"W x 19"D x 4"H	18"D x 72"W	72"	38 lbs
WS-2424	(EP/CH)	25"W x 25"D x 7"H	24"D x 24"W	24"	34 lbs
WS-2436	(EP/CH)	37"W x 25"D x 7"H	24"D x 36"W	36"	48 lbs
WS-2448	(EP/CH)	49"W x 25"D x 7"H	24"D x 48"W	48"	62 lbs
WS-2460	(EP/CH)	61"W x 25"D x 4"H	24"D x 60"W	60"	42 lbs
WS-2472	(EP/CH)	73"W x 25"D x 4"H	24"D x 72"W	72"	50 lbs

### Chrome & Epoxy Wire Posts

Model	EP = Epoxy CH = Chrome	Shipping Size	Product Size	Height	Weight
WP-64	(EP/CH)	25"W x 15"D x 7"H	14"D x 24"W	64"	15 lbs
WP-74	(EP/CH)	37"W x 15"D x 7"H	14"D x 36"W	74"	17 lbs
WP-86	(EP/CH)	49"W x 15"D x 7"H	14"D x 48"W	86"	20 lbs

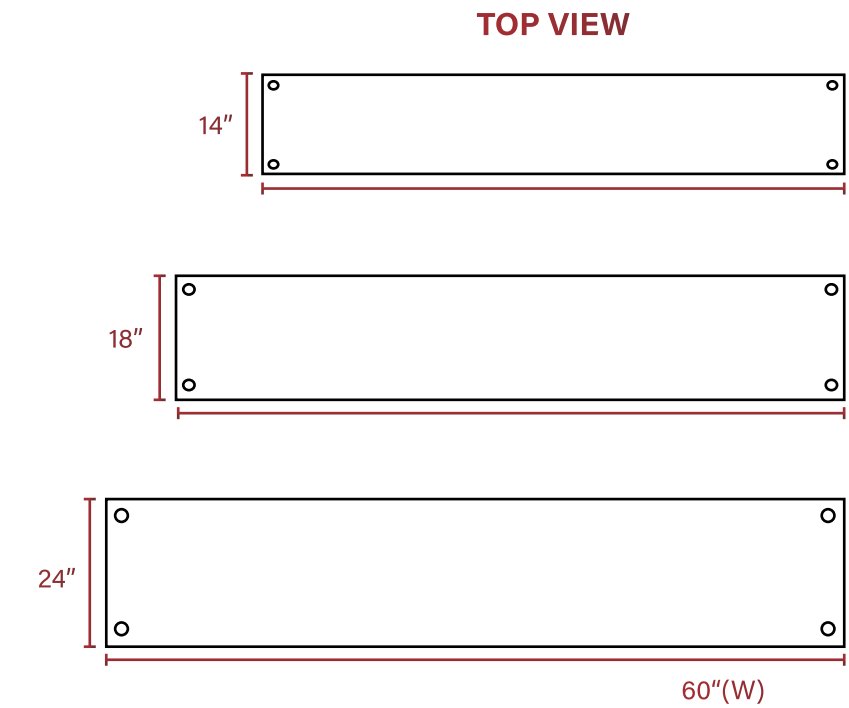




# 14" Epoxy Wire Shelving & Posts

WS-1460EP

Size:	14"D x 60"W
Weight:	30 lbs
Width:	60 inches
Shipping Size:	61"W x 15"D x 4"H



## 14" Epoxy Wire Shelving & Posts

### Features



- ✓ Provides long-lasting protection and extends shelf life.
- ✓ Inhibiting coating ideal for both wet and dry applications.
- ✓ Suitable for various environments including coolers, freezers, and dry storage.
- ✓ Shelves up to 48" support 600 lbs; shelves 54" and longer support 400 lbs.
- ✓ Coverage against rust and corrosion for added peace of mind.
- ✓ Designed for quick and straightforward assembly without the need for tools.
- ✓ Shelves can be positioned at different heights to accommodate varying storage needs.
- ✓ All units are shipped unassembled to minimize shipping costs and packaging waste.
- ✓ Available in various sizes and configurations to fit specific storage requirements.

Height

### Chrome & Epoxy Wire Shelves

Model	EP = Epoxy CH = Chrome	Shipping Size	Product Size	Width	Weight
WS-1424	(EP/CH)	25"W x 15"D x 7"H	14"D x 24"W	24"	24 lbs
WS-1436	(EP/CH)	37"W x 15"D x 7"H	14"D x 36"W	36"	34 lbs
WS-1448	(EP/CH)	49"W x 15"D x 7"H	14"D x 48"W	48"	43 lbs
WS-1460	(EP/CH)	61"W x 15"D x 4"H	14"D x 60"W	60"	30 lbs
WS-1836	(EP/CH)	37"W x 19"D x 7"H	18"D x 36"W	36"	34 lbs
WS-1848	(EP/CH)	49"W x 19"D x 7"H	18"D x 48"W	48"	48 lbs
WS-1854	(EP/CH)	55"W x 19"D x 4"H	18"D x 54"W	54"	29 lbs
WS-1860	(EP/CH)	61"W x 19"D x 4"H	18"D x 60"W	60"	31 lbs
WS-1872	(EP/CH)	73"W x 19"D x 4"H	18"D x 72"W	72"	38 lbs
WS-2424	(EP/CH)	25"W x 25"D x 7"H	24"D x 24"W	24"	34 lbs
WS-2436	(EP/CH)	37"W x 25"D x 7"H	24"D x 36"W	36"	48 lbs
WS-2448	(EP/CH)	49"W x 25"D x 7"H	24"D x 48"W	48"	62 lbs
WS-2460	(EP/CH)	61"W x 25"D x 4"H	24"D x 60"W	60"	42 lbs
WS-2472	(EP/CH)	73"W x 25"D x 4"H	24"D x 72"W	72"	50 lbs

### Chrome & Epoxy Wire Posts

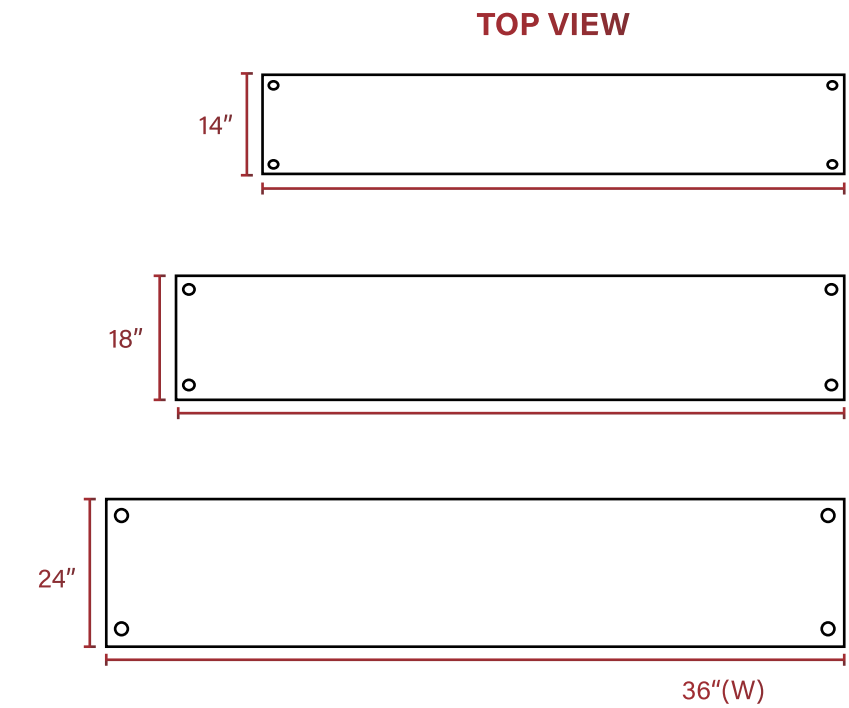
Model	EP = Epoxy CH = Chrome	Shipping Size	Product Size	Height	Weight
WP-64	(EP/CH)	25"W x 15"D x 7"H	14"D x 24"W	64"	15 lbs
WP-74	(EP/CH)	37"W x 15"D x 7"H	14"D x 36"W	74"	17 lbs
WP-86	(EP/CH)	49"W x 15"D x 7"H	14"D x 48"W	86"	20 lbs



## 18" Epoxy Wire Shelving & Posts

WS-1836EP

Size:	18"D x 36"W
Weight:	34 lbs
Width:	36 inches
Shipping Size:	37"W x 19"D x 7"H



## 18" Epoxy Wire Shelving & Posts

### Features



- ✓ Provides long-lasting protection and extends shelf life.
- ✓ Inhibiting coating ideal for both wet and dry applications.
- ✓ Suitable for various environments including coolers, freezers, and dry storage.
- ✓ Shelves up to 48" support 600 lbs; shelves 54" and longer support 400 lbs.
- ✓ Coverage against rust and corrosion for added peace of mind.
- ✓ Designed for quick and straightforward assembly without the need for tools.
- ✓ Shelves can be positioned at different heights to accommodate varying storage needs.
- ✓ All units are shipped unassembled to minimize shipping costs and packaging waste.
- ✓ Available in various sizes and configurations to fit specific storage requirements.

Height

### Chrome & Epoxy Wire Shelves

Model	EP = Epoxy CH = Chrome	Shipping Size	Product Size	Width	Weight
WS-1424	(EP/CH)	25"W x 15"D x 7"H	14"D x 24"W	24"	24 lbs
WS-1436	(EP/CH)	37"W x 15"D x 7"H	14"D x 36"W	36"	34 lbs
WS-1448	(EP/CH)	49"W x 15"D x 7"H	14"D x 48"W	48"	43 lbs
WS-1460	(EP/CH)	61"W x 15"D x 4"H	14"D x 60"W	60"	30 lbs
WS-1836	(EP/CH)	37"W x 19"D x 7"H	18"D x 36"W	36"	34 lbs
WS-1848	(EP/CH)	49"W x 19"D x 7"H	18"D x 48"W	48"	48 lbs
WS-1854	(EP/CH)	55"W x 19"D x 4"H	18"D x 54"W	54"	29 lbs
WS-1860	(EP/CH)	61"W x 19"D x 4"H	18"D x 60"W	60"	31 lbs
WS-1872	(EP/CH)	73"W x 19"D x 4"H	18"D x 72"W	72"	38 lbs
WS-2424	(EP/CH)	25"W x 25"D x 7"H	24"D x 24"W	24"	34 lbs
WS-2436	(EP/CH)	37"W x 25"D x 7"H	24"D x 36"W	36"	48 lbs
WS-2448	(EP/CH)	49"W x 25"D x 7"H	24"D x 48"W	48"	62 lbs
WS-2460	(EP/CH)	61"W x 25"D x 4"H	24"D x 60"W	60"	42 lbs
WS-2472	(EP/CH)	73"W x 25"D x 4"H	24"D x 72"W	72"	50 lbs

### Chrome & Epoxy Wire Posts

Model	EP = Epoxy CH = Chrome	Shipping Size	Product Size	Height	Weight
WP-64	(EP/CH)	25"W x 15"D x 7"H	14"D x 24"W	64"	15 lbs
WP-74	(EP/CH)	37"W x 15"D x 7"H	14"D x 36"W	74"	17 lbs
WP-86	(EP/CH)	49"W x 15"D x 7"H	14"D x 48"W	86"	20 lbs

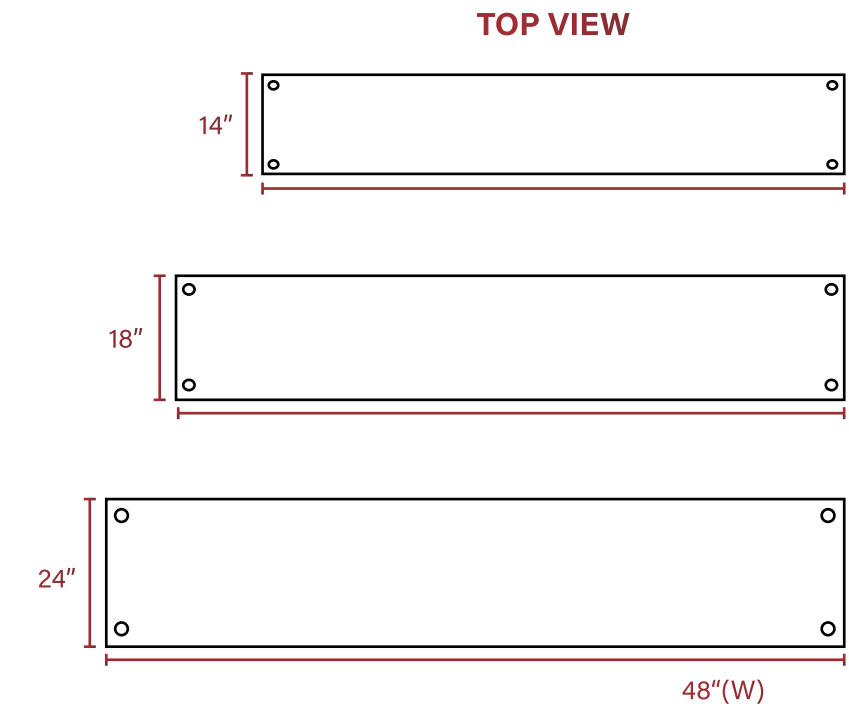




## 18" Epoxy Wire Shelving & Posts

WS-1848EP

Size:	18"D x 48"W
Weight:	48 lbs
Width:	48 inches
Shipping Size:	49"W x 19"D x 7"H



## 18" Epoxy Wire Shelving & Posts

### Features



- ✓ Provides long-lasting protection and extends shelf life.
- ✓ Inhibiting coating ideal for both wet and dry applications.
- ✓ Suitable for various environments including coolers, freezers, and dry storage.
- ✓ Shelves up to 48" support 600 lbs; shelves 54" and longer support 400 lbs.
- ✓ Coverage against rust and corrosion for added peace of mind.
- ✓ Designed for quick and straightforward assembly without the need for tools.
- ✓ Shelves can be positioned at different heights to accommodate varying storage needs.
- ✓ All units are shipped unassembled to minimize shipping costs and packaging waste.
- ✓ Available in various sizes and configurations to fit specific storage requirements.

Height

### Chrome & Epoxy Wire Shelves

Model	EP = Epoxy CH = Chrome	Shipping Size	Product Size	Width	Weight
WS-1424	(EP/CH)	25"W x 15"D x 7"H	14"D x 24"W	24"	24 lbs
WS-1436	(EP/CH)	37"W x 15"D x 7"H	14"D x 36"W	36"	34 lbs
WS-1448	(EP/CH)	49"W x 15"D x 7"H	14"D x 48"W	48"	43 lbs
WS-1460	(EP/CH)	61"W x 15"D x 4"H	14"D x 60"W	60"	30 lbs
WS-1836	(EP/CH)	37"W x 19"D x 7"H	18"D x 36"W	36"	34 lbs
WS-1848	(EP/CH)	49"W x 19"D x 7"H	18"D x 48"W	48"	48 lbs
WS-1854	(EP/CH)	55"W x 19"D x 4"H	18"D x 54"W	54"	29 lbs
WS-1860	(EP/CH)	61"W x 19"D x 4"H	18"D x 60"W	60"	31 lbs
WS-1872	(EP/CH)	73"W x 19"D x 4"H	18"D x 72"W	72"	38 lbs
WS-2424	(EP/CH)	25"W x 25"D x 7"H	24"D x 24"W	24"	34 lbs
WS-2436	(EP/CH)	37"W x 25"D x 7"H	24"D x 36"W	36"	48 lbs
WS-2448	(EP/CH)	49"W x 25"D x 7"H	24"D x 48"W	48"	62 lbs
WS-2460	(EP/CH)	61"W x 25"D x 4"H	24"D x 60"W	60"	42 lbs
WS-2472	(EP/CH)	73"W x 25"D x 4"H	24"D x 72"W	72"	50 lbs

### Chrome & Epoxy Wire Posts

Model	EP = Epoxy CH = Chrome	Shipping Size	Product Size	Height	Weight
WP-64	(EP/CH)	25"W x 15"D x 7"H	14"D x 24"W	64"	15 lbs
WP-74	(EP/CH)	37"W x 15"D x 7"H	14"D x 36"W	74"	17 lbs
WP-86	(EP/CH)	49"W x 15"D x 7"H	14"D x 48"W	86"	20 lbs

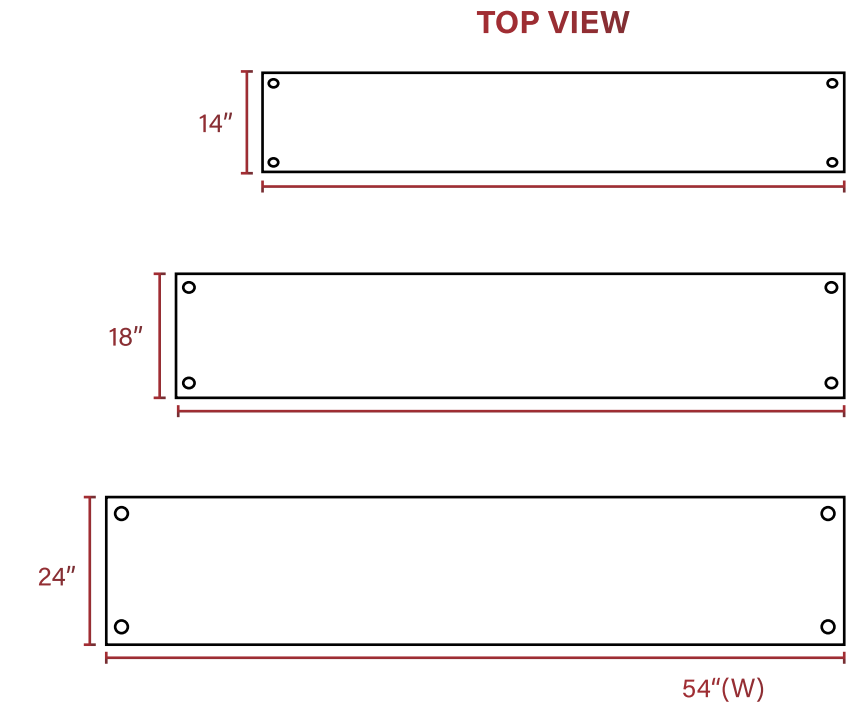




## 18" Epoxy Wire Shelving & Posts

WS-1854EP

Size:	18"D x 54"W
Weight:	29 lbs
Width:	54 inches
Shipping Size:	55"W x 19"D x 4"H



## 18" Epoxy Wire Shelving & Posts

### Features



- ✓ Provides long-lasting protection and extends shelf life.
- ✓ Inhibiting coating ideal for both wet and dry applications.
- ✓ Suitable for various environments including coolers, freezers, and dry storage.
- ✓ Shelves up to 48" support 600 lbs; shelves 54" and longer support 400 lbs.
- ✓ Coverage against rust and corrosion for added peace of mind.
- ✓ Designed for quick and straightforward assembly without the need for tools.
- ✓ Shelves can be positioned at different heights to accommodate varying storage needs.
- ✓ All units are shipped unassembled to minimize shipping costs and packaging waste.
- ✓ Available in various sizes and configurations to fit specific storage requirements.

Height

### Chrome & Epoxy Wire Shelves

Model	EP = Epoxy CH = Chrome	Shipping Size	Product Size	Width	Weight
WS-1424	(EP/CH)	25"W x 15"D x 7"H	14"D x 24"W	24"	24 lbs
WS-1436	(EP/CH)	37"W x 15"D x 7"H	14"D x 36"W	36"	34 lbs
WS-1448	(EP/CH)	49"W x 15"D x 7"H	14"D x 48"W	48"	43 lbs
WS-1460	(EP/CH)	61"W x 15"D x 4"H	14"D x 60"W	60"	30 lbs
WS-1836	(EP/CH)	37"W x 19"D x 7"H	18"D x 36"W	36"	34 lbs
WS-1848	(EP/CH)	49"W x 19"D x 7"H	18"D x 48"W	48"	48 lbs
WS-1854	(EP/CH)	55"W x 19"D x 4"H	18"D x 54"W	54"	29 lbs
WS-1860	(EP/CH)	61"W x 19"D x 4"H	18"D x 60"W	60"	31 lbs
WS-1872	(EP/CH)	73"W x 19"D x 4"H	18"D x 72"W	72"	38 lbs
WS-2424	(EP/CH)	25"W x 25"D x 7"H	24"D x 24"W	24"	34 lbs
WS-2436	(EP/CH)	37"W x 25"D x 7"H	24"D x 36"W	36"	48 lbs
WS-2448	(EP/CH)	49"W x 25"D x 7"H	24"D x 48"W	48"	62 lbs
WS-2460	(EP/CH)	61"W x 25"D x 4"H	24"D x 60"W	60"	42 lbs
WS-2472	(EP/CH)	73"W x 25"D x 4"H	24"D x 72"W	72"	50 lbs

### Chrome & Epoxy Wire Posts

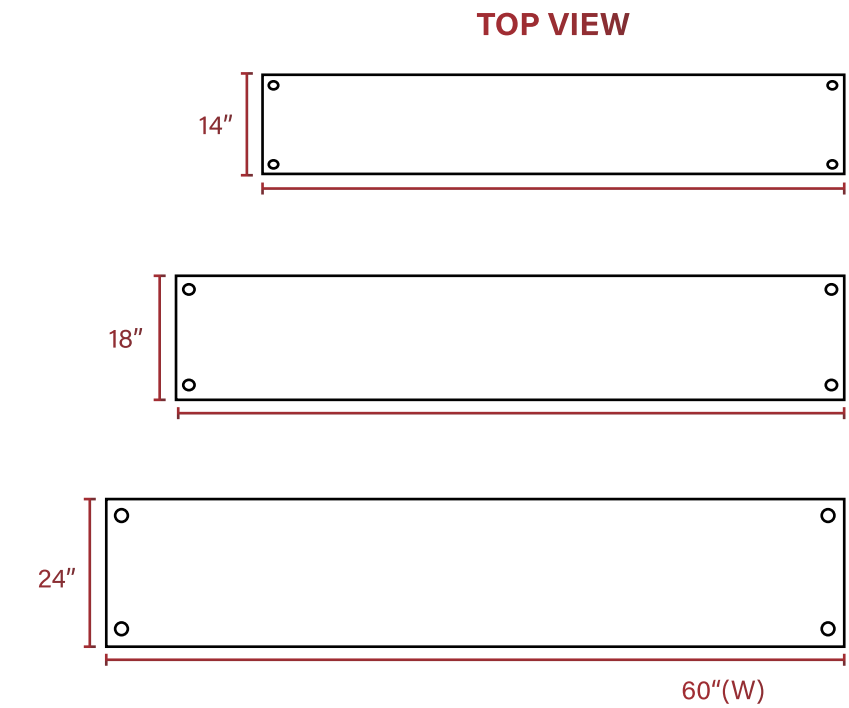
Model	EP = Epoxy CH = Chrome	Shipping Size	Product Size	Height	Weight
WP-64	(EP/CH)	25"W x 15"D x 7"H	14"D x 24"W	64"	15 lbs
WP-74	(EP/CH)	37"W x 15"D x 7"H	14"D x 36"W	74"	17 lbs
WP-86	(EP/CH)	49"W x 15"D x 7"H	14"D x 48"W	86"	20 lbs



## 18" Epoxy Wire Shelving & Posts

WS-1860EP

Size:	18"D x 60"W
Weight:	31 lbs
Width:	60 inches
Shipping Size:	61"W x 19"D x 4"H



## 18" Epoxy Wire Shelving & Posts

### Features



- ✓ Provides long-lasting protection and extends shelf life.
- ✓ Inhibiting coating ideal for both wet and dry applications.
- ✓ Suitable for various environments including coolers, freezers, and dry storage.
- ✓ Shelves up to 48" support 600 lbs; shelves 54" and longer support 400 lbs.
- ✓ Coverage against rust and corrosion for added peace of mind.
- ✓ Designed for quick and straightforward assembly without the need for tools.
- ✓ Shelves can be positioned at different heights to accommodate varying storage needs.
- ✓ All units are shipped unassembled to minimize shipping costs and packaging waste.
- ✓ Available in various sizes and configurations to fit specific storage requirements.

Height

### Chrome & Epoxy Wire Shelves

Model	EP = Epoxy CH = Chrome	Shipping Size	Product Size	Width	Weight
WS-1424	(EP/CH)	25"W x 15"D x 7"H	14"D x 24"W	24"	24 lbs
WS-1436	(EP/CH)	37"W x 15"D x 7"H	14"D x 36"W	36"	34 lbs
WS-1448	(EP/CH)	49"W x 15"D x 7"H	14"D x 48"W	48"	43 lbs
WS-1460	(EP/CH)	61"W x 15"D x 4"H	14"D x 60"W	60"	30 lbs
WS-1836	(EP/CH)	37"W x 19"D x 7"H	18"D x 36"W	36"	34 lbs
WS-1848	(EP/CH)	49"W x 19"D x 7"H	18"D x 48"W	48"	48 lbs
WS-1854	(EP/CH)	55"W x 19"D x 4"H	18"D x 54"W	54"	29 lbs
WS-1860	(EP/CH)	61"W x 19"D x 4"H	18"D x 60"W	60"	31 lbs
WS-1872	(EP/CH)	73"W x 19"D x 4"H	18"D x 72"W	72"	38 lbs
WS-2424	(EP/CH)	25"W x 25"D x 7"H	24"D x 24"W	24"	34 lbs
WS-2436	(EP/CH)	37"W x 25"D x 7"H	24"D x 36"W	36"	48 lbs
WS-2448	(EP/CH)	49"W x 25"D x 7"H	24"D x 48"W	48"	62 lbs
WS-2460	(EP/CH)	61"W x 25"D x 4"H	24"D x 60"W	60"	42 lbs
WS-2472	(EP/CH)	73"W x 25"D x 4"H	24"D x 72"W	72"	50 lbs

### Chrome & Epoxy Wire Posts

Model	EP = Epoxy CH = Chrome	Shipping Size	Product Size	Height	Weight
WP-64	(EP/CH)	25"W x 15"D x 7"H	14"D x 24"W	64"	15 lbs
WP-74	(EP/CH)	37"W x 15"D x 7"H	14"D x 36"W	74"	17 lbs
WP-86	(EP/CH)	49"W x 15"D x 7"H	14"D x 48"W	86"	20 lbs





## 18" Epoxy Wire Shelving & Posts

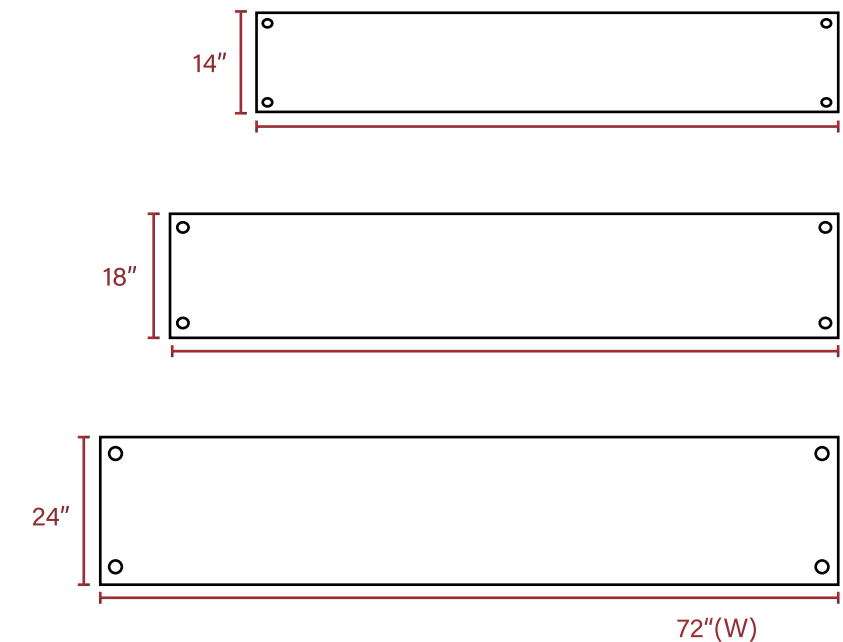
WS-1872-EP

Size:	18"D x 72"W
Weight:	38 lbs
Width:	72 inches
Shipping Size:	73"W x 19"D x 4"H



### Wire Shelving

TOP VIEW



## 18" Epoxy Wire Shelving & Posts

### Features



- ✓ Provides long-lasting protection and extends shelf life.
- ✓ Inhibiting coating ideal for both wet and dry applications.
- ✓ Suitable for various environments including coolers, freezers, and dry storage.
- ✓ Shelves up to 48" support 600 lbs; shelves 54" and longer support 400 lbs.
- ✓ Coverage against rust and corrosion for added peace of mind.
- ✓ Designed for quick and straightforward assembly without the need for tools.
- ✓ Shelves can be positioned at different heights to accommodate varying storage needs.
- ✓ All units are shipped unassembled to minimize shipping costs and packaging waste.
- ✓ Available in various sizes and configurations to fit specific storage requirements.

Height

### Chrome & Epoxy Wire Shelves

Model	EP = Epoxy CH = Chrome	Shipping Size	Product Size	Width	Weight
WS-1424	(EP/CH)	25"W x 15"D x 7"H	14"D x 24"W	24"	24 lbs
WS-1436	(EP/CH)	37"W x 15"D x 7"H	14"D x 36"W	36"	34 lbs
WS-1448	(EP/CH)	49"W x 15"D x 7"H	14"D x 48"W	48"	43 lbs
WS-1460	(EP/CH)	61"W x 15"D x 4"H	14"D x 60"W	60"	30 lbs
WS-1836	(EP/CH)	37"W x 19"D x 7"H	18"D x 36"W	36"	34 lbs
WS-1848	(EP/CH)	49"W x 19"D x 7"H	18"D x 48"W	48"	48 lbs
WS-1854	(EP/CH)	55"W x 19"D x 4"H	18"D x 54"W	54"	29 lbs
WS-1860	(EP/CH)	61"W x 19"D x 4"H	18"D x 60"W	60"	31 lbs
WS-1872	(EP/CH)	73"W x 19"D x 4"H	18"D x 72"W	72"	38 lbs
WS-2424	(EP/CH)	25"W x 25"D x 7"H	24"D x 24"W	24"	34 lbs
WS-2436	(EP/CH)	37"W x 25"D x 7"H	24"D x 36"W	36"	48 lbs
WS-2448	(EP/CH)	49"W x 25"D x 7"H	24"D x 48"W	48"	62 lbs
WS-2460	(EP/CH)	61"W x 25"D x 4"H	24"D x 60"W	60"	42 lbs
WS-2472	(EP/CH)	73"W x 25"D x 4"H	24"D x 72"W	72"	50 lbs

### Chrome & Epoxy Wire Posts

Model	EP = Epoxy CH = Chrome	Shipping Size	Product Size	Height	Weight
WP-64	(EP/CH)	25"W x 15"D x 7"H	14"D x 24"W	64"	15 lbs
WP-74	(EP/CH)	37"W x 15"D x 7"H	14"D x 36"W	74"	17 lbs
WP-86	(EP/CH)	49"W x 15"D x 7"H	14"D x 48"W	86"	20 lbs

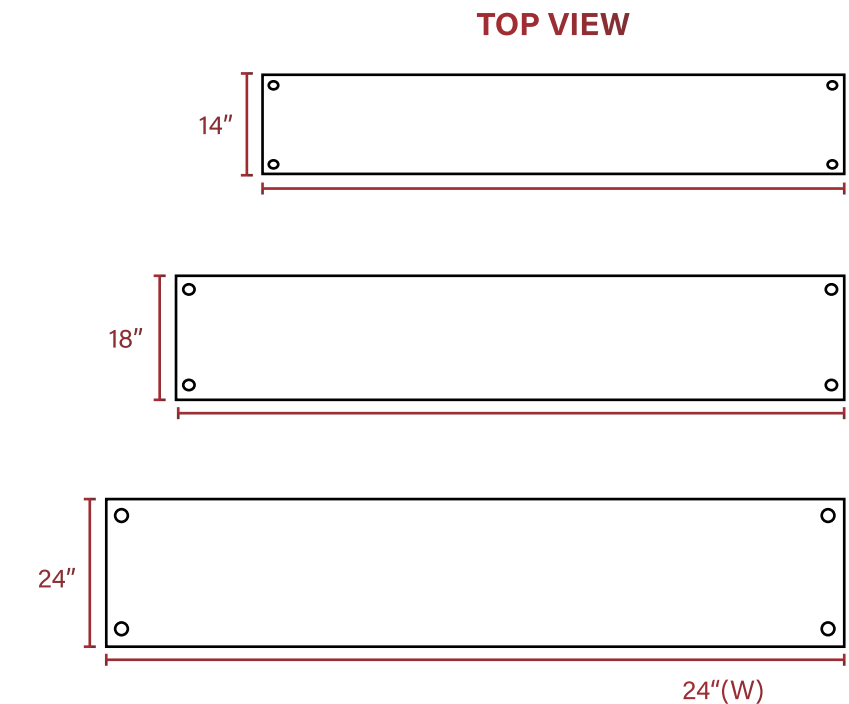




## 24" Epoxy Wire Shelving & Posts

WS-2424-EP

Size:	24"D x 24"W
Weight:	34 lbs
Width:	24 inches
Shipping Size:	25"W x 25"D x 7"H



## 24" Epoxy Wire Shelving & Posts

### Features



- ✓ Provides long-lasting protection and extends shelf life.
- ✓ Inhibiting coating ideal for both wet and dry applications.
- ✓ Suitable for various environments including coolers, freezers, and dry storage.
- ✓ Shelves up to 48" support 600 lbs; shelves 54" and longer support 400 lbs.
- ✓ Coverage against rust and corrosion for added peace of mind.
- ✓ Designed for quick and straightforward assembly without the need for tools.
- ✓ Shelves can be positioned at different heights to accommodate varying storage needs.
- ✓ All units are shipped unassembled to minimize shipping costs and packaging waste.
- ✓ Available in various sizes and configurations to fit specific storage requirements.

Height

### Chrome & Epoxy Wire Shelves

Model	EP = Epoxy CH = Chrome	Shipping Size	Product Size	Width	Weight
WS-1424	(EP/CH)	25"W x 15"D x 7"H	14"D x 24"W	24"	24 lbs
WS-1436	(EP/CH)	37"W x 15"D x 7"H	14"D x 36"W	36"	34 lbs
WS-1448	(EP/CH)	49"W x 15"D x 7"H	14"D x 48"W	48"	43 lbs
WS-1460	(EP/CH)	61"W x 15"D x 4"H	14"D x 60"W	60"	30 lbs
WS-1836	(EP/CH)	37"W x 19"D x 7"H	18"D x 36"W	36"	34 lbs
WS-1848	(EP/CH)	49"W x 19"D x 7"H	18"D x 48"W	48"	48 lbs
WS-1854	(EP/CH)	55"W x 19"D x 4"H	18"D x 54"W	54"	29 lbs
WS-1860	(EP/CH)	61"W x 19"D x 4"H	18"D x 60"W	60"	31 lbs
WS-1872	(EP/CH)	73"W x 19"D x 4"H	18"D x 72"W	72"	38 lbs
WS-2424	(EP/CH)	25"W x 25"D x 7"H	24"D x 24"W	24"	34 lbs
WS-2436	(EP/CH)	37"W x 25"D x 7"H	24"D x 36"W	36"	48 lbs
WS-2448	(EP/CH)	49"W x 25"D x 7"H	24"D x 48"W	48"	62 lbs
WS-2460	(EP/CH)	61"W x 25"D x 4"H	24"D x 60"W	60"	42 lbs
WS-2472	(EP/CH)	73"W x 25"D x 4"H	24"D x 72"W	72"	50 lbs

### Chrome & Epoxy Wire Posts

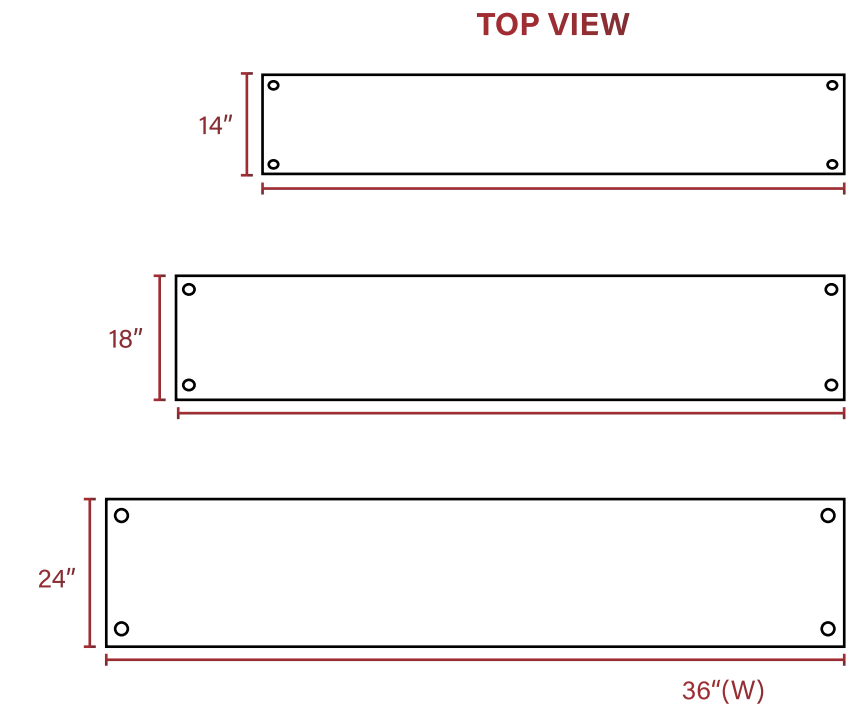
Model	EP = Epoxy CH = Chrome	Shipping Size	Product Size	Height	Weight
WP-64	(EP/CH)	25"W x 15"D x 7"H	14"D x 24"W	64"	15 lbs
WP-74	(EP/CH)	37"W x 15"D x 7"H	14"D x 36"W	74"	17 lbs
WP-86	(EP/CH)	49"W x 15"D x 7"H	14"D x 48"W	86"	20 lbs



## 24" Epoxy Wire Shelving & Posts

WS-2436-EP

Size:	24"D x 36"W
Weight:	48 lbs
Width:	36 inches
Shipping Size:	37"W x 25"D x 7"H



## 24" Epoxy Wire Shelving & Posts

### Features



- ✓ Provides long-lasting protection and extends shelf life.
- ✓ Inhibiting coating ideal for both wet and dry applications.
- ✓ Suitable for various environments including coolers, freezers, and dry storage.
- ✓ Shelves up to 48" support 600 lbs; shelves 54" and longer support 400 lbs.
- ✓ Coverage against rust and corrosion for added peace of mind.
- ✓ Designed for quick and straightforward assembly without the need for tools.
- ✓ Shelves can be positioned at different heights to accommodate varying storage needs.
- ✓ All units are shipped unassembled to minimize shipping costs and packaging waste.
- ✓ Available in various sizes and configurations to fit specific storage requirements.

Height

### Chrome & Epoxy Wire Shelves

Model	EP = Epoxy CH = Chrome	Shipping Size	Product Size	Width	Weight
WS-1424	(EP/CH)	25"W x 15"D x 7"H	14"D x 24"W	24"	24 lbs
WS-1436	(EP/CH)	37"W x 15"D x 7"H	14"D x 36"W	36"	34 lbs
WS-1448	(EP/CH)	49"W x 15"D x 7"H	14"D x 48"W	48"	43 lbs
WS-1460	(EP/CH)	61"W x 15"D x 4"H	14"D x 60"W	60"	30 lbs
WS-1836	(EP/CH)	37"W x 19"D x 7"H	18"D x 36"W	36"	34 lbs
WS-1848	(EP/CH)	49"W x 19"D x 7"H	18"D x 48"W	48"	48 lbs
WS-1854	(EP/CH)	55"W x 19"D x 4"H	18"D x 54"W	54"	29 lbs
WS-1860	(EP/CH)	61"W x 19"D x 4"H	18"D x 60"W	60"	31 lbs
WS-1872	(EP/CH)	73"W x 19"D x 4"H	18"D x 72"W	72"	38 lbs
WS-2424	(EP/CH)	25"W x 25"D x 7"H	24"D x 24"W	24"	34 lbs
WS-2436	(EP/CH)	37"W x 25"D x 7"H	24"D x 36"W	36"	48 lbs
WS-2448	(EP/CH)	49"W x 25"D x 7"H	24"D x 48"W	48"	62 lbs
WS-2460	(EP/CH)	61"W x 25"D x 4"H	24"D x 60"W	60"	42 lbs
WS-2472	(EP/CH)	73"W x 25"D x 4"H	24"D x 72"W	72"	50 lbs

### Chrome & Epoxy Wire Posts

Model	EP = Epoxy CH = Chrome	Shipping Size	Product Size	Height	Weight
WP-64	(EP/CH)	25"W x 15"D x 7"H	14"D x 24"W	64"	15 lbs
WP-74	(EP/CH)	37"W x 15"D x 7"H	14"D x 36"W	74"	17 lbs
WP-86	(EP/CH)	49"W x 15"D x 7"H	14"D x 48"W	86"	20 lbs

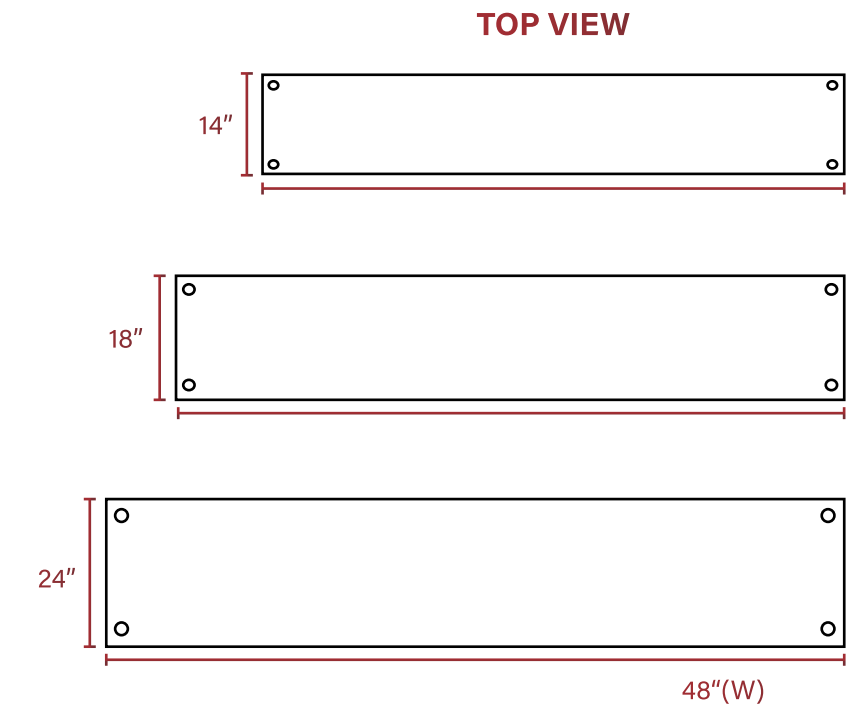




## 24" Epoxy Wire Shelving & Posts

WS-2448EP

Size:	24"D x 48"W
Weight:	62 lbs
Width:	48 inches
Shipping Size:	49"W x 25"D x 7"H



## 24" Epoxy Wire Shelving & Posts

### Features



- ✓ Provides long-lasting protection and extends shelf life.
- ✓ Inhibiting coating ideal for both wet and dry applications.
- ✓ Suitable for various environments including coolers, freezers, and dry storage.
- ✓ Shelves up to 48" support 600 lbs; shelves 54" and longer support 400 lbs.
- ✓ Coverage against rust and corrosion for added peace of mind.
- ✓ Designed for quick and straightforward assembly without the need for tools.
- ✓ Shelves can be positioned at different heights to accommodate varying storage needs.
- ✓ All units are shipped unassembled to minimize shipping costs and packaging waste.
- ✓ Available in various sizes and configurations to fit specific storage requirements.

Height

### Chrome & Epoxy Wire Shelves

Model	EP = Epoxy CH = Chrome	Shipping Size	Product Size	Width	Weight
WS-1424	(EP/CH)	25"W x 15"D x 7"H	14"D x 24"W	24"	24 lbs
WS-1436	(EP/CH)	37"W x 15"D x 7"H	14"D x 36"W	36"	34 lbs
WS-1448	(EP/CH)	49"W x 15"D x 7"H	14"D x 48"W	48"	43 lbs
WS-1460	(EP/CH)	61"W x 15"D x 4"H	14"D x 60"W	60"	30 lbs
WS-1836	(EP/CH)	37"W x 19"D x 7"H	18"D x 36"W	36"	34 lbs
WS-1848	(EP/CH)	49"W x 19"D x 7"H	18"D x 48"W	48"	48 lbs
WS-1854	(EP/CH)	55"W x 19"D x 4"H	18"D x 54"W	54"	29 lbs
WS-1860	(EP/CH)	61"W x 19"D x 4"H	18"D x 60"W	60"	31 lbs
WS-1872	(EP/CH)	73"W x 19"D x 4"H	18"D x 72"W	72"	38 lbs
WS-2424	(EP/CH)	25"W x 25"D x 7"H	24"D x 24"W	24"	34 lbs
WS-2436	(EP/CH)	37"W x 25"D x 7"H	24"D x 36"W	36"	48 lbs
WS-2448	(EP/CH)	49"W x 25"D x 7"H	24"D x 48"W	48"	62 lbs
WS-2460	(EP/CH)	61"W x 25"D x 4"H	24"D x 60"W	60"	42 lbs
WS-2472	(EP/CH)	73"W x 25"D x 4"H	24"D x 72"W	72"	50 lbs

### Chrome & Epoxy Wire Posts

Model	EP = Epoxy CH = Chrome	Shipping Size	Product Size	Height	Weight
WP-64	(EP/CH)	25"W x 15"D x 7"H	14"D x 24"W	64"	15 lbs
WP-74	(EP/CH)	37"W x 15"D x 7"H	14"D x 36"W	74"	17 lbs
WP-86	(EP/CH)	49"W x 15"D x 7"H	14"D x 48"W	86"	20 lbs

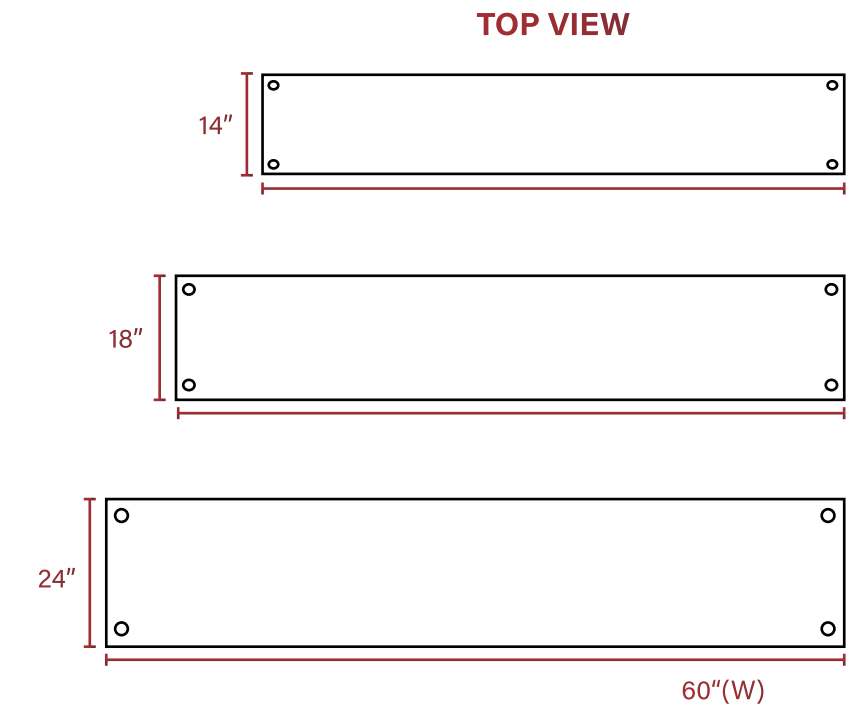




## 24" Epoxy Wire Shelving & Posts

WS-2460EP

Size:	24"D x 60"W
Weight:	42 lbs
Width:	60 inches
Shipping Size:	61"W x 25"D x 4"H



## 24" Epoxy Wire Shelving & Posts

### Features



- ✓ Provides long-lasting protection and extends shelf life.
- ✓ Inhibiting coating ideal for both wet and dry applications.
- ✓ Suitable for various environments including coolers, freezers, and dry storage.
- ✓ Shelves up to 48" support 600 lbs; shelves 54" and longer support 400 lbs.
- ✓ Coverage against rust and corrosion for added peace of mind.
- ✓ Designed for quick and straightforward assembly without the need for tools.
- ✓ Shelves can be positioned at different heights to accommodate varying storage needs.
- ✓ All units are shipped unassembled to minimize shipping costs and packaging waste.
- ✓ Available in various sizes and configurations to fit specific storage requirements.

Height

### Chrome & Epoxy Wire Shelves

Model	EP = Epoxy CH = Chrome	Shipping Size	Product Size	Width	Weight
WS-1424	(EP/CH)	25"W x 15"D x 7"H	14"D x 24"W	24"	24 lbs
WS-1436	(EP/CH)	37"W x 15"D x 7"H	14"D x 36"W	36"	34 lbs
WS-1448	(EP/CH)	49"W x 15"D x 7"H	14"D x 48"W	48"	43 lbs
WS-1460	(EP/CH)	61"W x 15"D x 4"H	14"D x 60"W	60"	30 lbs
WS-1836	(EP/CH)	37"W x 19"D x 7"H	18"D x 36"W	36"	34 lbs
WS-1848	(EP/CH)	49"W x 19"D x 7"H	18"D x 48"W	48"	48 lbs
WS-1854	(EP/CH)	55"W x 19"D x 4"H	18"D x 54"W	54"	29 lbs
WS-1860	(EP/CH)	61"W x 19"D x 4"H	18"D x 60"W	60"	31 lbs
WS-1872	(EP/CH)	73"W x 19"D x 4"H	18"D x 72"W	72"	38 lbs
WS-2424	(EP/CH)	25"W x 25"D x 7"H	24"D x 24"W	24"	34 lbs
WS-2436	(EP/CH)	37"W x 25"D x 7"H	24"D x 36"W	36"	48 lbs
WS-2448	(EP/CH)	49"W x 25"D x 7"H	24"D x 48"W	48"	62 lbs
WS-2460	(EP/CH)	61"W x 25"D x 4"H	24"D x 60"W	60"	42 lbs
WS-2472	(EP/CH)	73"W x 25"D x 4"H	24"D x 72"W	72"	50 lbs

### Chrome & Epoxy Wire Posts

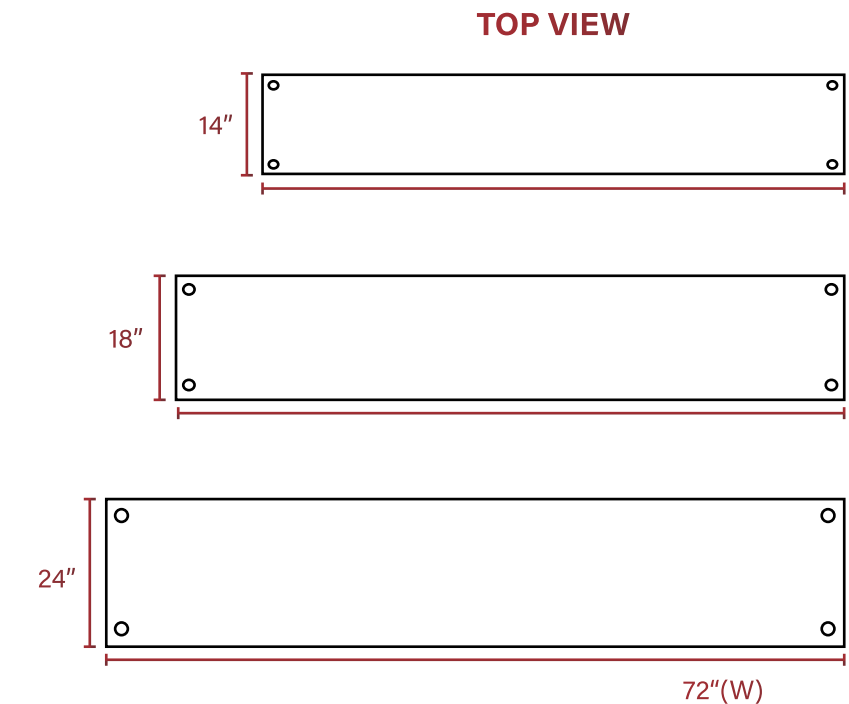
Model	EP = Epoxy CH = Chrome	Shipping Size	Product Size	Height	Weight
WP-64	(EP/CH)	25"W x 15"D x 7"H	14"D x 24"W	64"	15 lbs
WP-74	(EP/CH)	37"W x 15"D x 7"H	14"D x 36"W	74"	17 lbs
WP-86	(EP/CH)	49"W x 15"D x 7"H	14"D x 48"W	86"	20 lbs



## 24" Epoxy Wire Shelving & Posts

WS-2472EP

Size:	24"D x 72"W
Weight:	50 lbs
Width:	72 inches
Shipping Size:	73"W x 25"D x 4"H



## 24" Epoxy Wire Shelving & Posts

### Features



- ✓ Provides long-lasting protection and extends shelf life.
- ✓ Inhibiting coating ideal for both wet and dry applications.
- ✓ Suitable for various environments including coolers, freezers, and dry storage.
- ✓ Shelves up to 48" support 600 lbs; shelves 54" and longer support 400 lbs.
- ✓ Coverage against rust and corrosion for added peace of mind.
- ✓ Designed for quick and straightforward assembly without the need for tools.
- ✓ Shelves can be positioned at different heights to accommodate varying storage needs.
- ✓ All units are shipped unassembled to minimize shipping costs and packaging waste.
- ✓ Available in various sizes and configurations to fit specific storage requirements.

Height

### Chrome & Epoxy Wire Shelves

Model	EP = Epoxy CH = Chrome	Shipping Size	Product Size	Width	Weight
WS-1424	(EP/CH)	25"W x 15"D x 7"H	14"D x 24"W	24"	24 lbs
WS-1436	(EP/CH)	37"W x 15"D x 7"H	14"D x 36"W	36"	34 lbs
WS-1448	(EP/CH)	49"W x 15"D x 7"H	14"D x 48"W	48"	43 lbs
WS-1460	(EP/CH)	61"W x 15"D x 4"H	14"D x 60"W	60"	30 lbs
WS-1836	(EP/CH)	37"W x 19"D x 7"H	18"D x 36"W	36"	34 lbs
WS-1848	(EP/CH)	49"W x 19"D x 7"H	18"D x 48"W	48"	48 lbs
WS-1854	(EP/CH)	55"W x 19"D x 4"H	18"D x 54"W	54"	29 lbs
WS-1860	(EP/CH)	61"W x 19"D x 4"H	18"D x 60"W	60"	31 lbs
WS-1872	(EP/CH)	73"W x 19"D x 4"H	18"D x 72"W	72"	38 lbs
WS-2424	(EP/CH)	25"W x 25"D x 7"H	24"D x 24"W	24"	34 lbs
WS-2436	(EP/CH)	37"W x 25"D x 7"H	24"D x 36"W	36"	48 lbs
WS-2448	(EP/CH)	49"W x 25"D x 7"H	24"D x 48"W	48"	62 lbs
WS-2460	(EP/CH)	61"W x 25"D x 4"H	24"D x 60"W	60"	42 lbs
WS-2472	(EP/CH)	73"W x 25"D x 4"H	24"D x 72"W	72"	50 lbs

### Chrome & Epoxy Wire Posts

Model	EP = Epoxy CH = Chrome	Shipping Size	Product Size	Height	Weight
WP-64	(EP/CH)	25"W x 15"D x 7"H	14"D x 24"W	64"	15 lbs
WP-74	(EP/CH)	37"W x 15"D x 7"H	14"D x 36"W	74"	17 lbs
WP-86	(EP/CH)	49"W x 15"D x 7"H	14"D x 48"W	86"	20 lbs

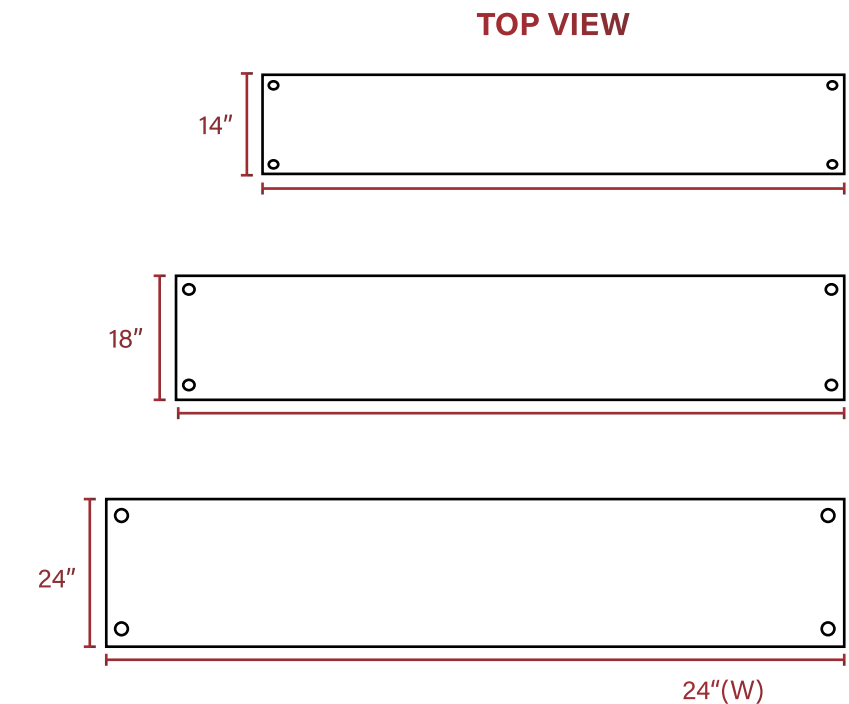




## 14" Chrome Wire Shelving & Posts

WS-1424CH

Size:	14"D x 24"W
Weight:	24 lbs
Width:	24 inches
Shipping Size:	25"W x 15"D x 7"H



## 14" Chrome Wire Shelving & Posts

### Features



- ✓ Provides long-lasting protection and extends shelf life.
- ✓ Ideal for showcasing and non-wet environments
- ✓ Suitable for various environments including coolers, freezers, and dry storage.
- ✓ Shelves up to 48" support 600 lbs; shelves 54" and longer support 400 lbs.
- ✓ Coverage against rust and corrosion for added peace of mind.
- ✓ Designed for quick and straightforward assembly without the need for tools.
- ✓ Shelves can be positioned at different heights to accommodate varying storage needs.
- ✓ All units are shipped unassembled to minimize shipping costs and packaging waste.
- ✓ Available in various sizes and configurations to fit specific storage requirements.

Height

### Chrome & Epoxy Wire Shelves

Model	EP = Epoxy CH = Chrome	Shipping Size	Product Size	Width	Weight
WS-1424	(EP/CH)	25"W x 15"D x 7"H	14"D x 24"W	24"	24 lbs
WS-1436	(EP/CH)	37"W x 15"D x 7"H	14"D x 36"W	36"	34 lbs
WS-1448	(EP/CH)	49"W x 15"D x 7"H	14"D x 48"W	48"	43 lbs
WS-1460	(EP/CH)	61"W x 15"D x 4"H	14"D x 60"W	60"	30 lbs
WS-1836	(EP/CH)	37"W x 19"D x 7"H	18"D x 36"W	36"	34 lbs
WS-1848	(EP/CH)	49"W x 19"D x 7"H	18"D x 48"W	48"	48 lbs
WS-1854	(EP/CH)	55"W x 19"D x 4"H	18"D x 54"W	54"	29 lbs
WS-1860	(EP/CH)	61"W x 19"D x 4"H	18"D x 60"W	60"	31 lbs
WS-1872	(EP/CH)	73"W x 19"D x 4"H	18"D x 72"W	72"	38 lbs
WS-2424	(EP/CH)	25"W x 25"D x 7"H	24"D x 24"W	24"	34 lbs
WS-2436	(EP/CH)	37"W x 25"D x 7"H	24"D x 36"W	36"	48 lbs
WS-2448	(EP/CH)	49"W x 25"D x 7"H	24"D x 48"W	48"	62 lbs
WS-2460	(EP/CH)	61"W x 25"D x 4"H	24"D x 60"W	60"	42 lbs
WS-2472	(EP/CH)	73"W x 25"D x 4"H	24"D x 72"W	72"	50 lbs

### Chrome & Epoxy Wire Posts

Model	EP = Epoxy CH = Chrome	Shipping Size	Product Size	Height	Weight
WP-64	(EP/CH)	25"W x 15"D x 7"H	14"D x 24"W	64"	15 lbs
WP-74	(EP/CH)	37"W x 15"D x 7"H	14"D x 36"W	74"	17 lbs
WP-86	(EP/CH)	49"W x 15"D x 7"H	14"D x 48"W	86"	20 lbs

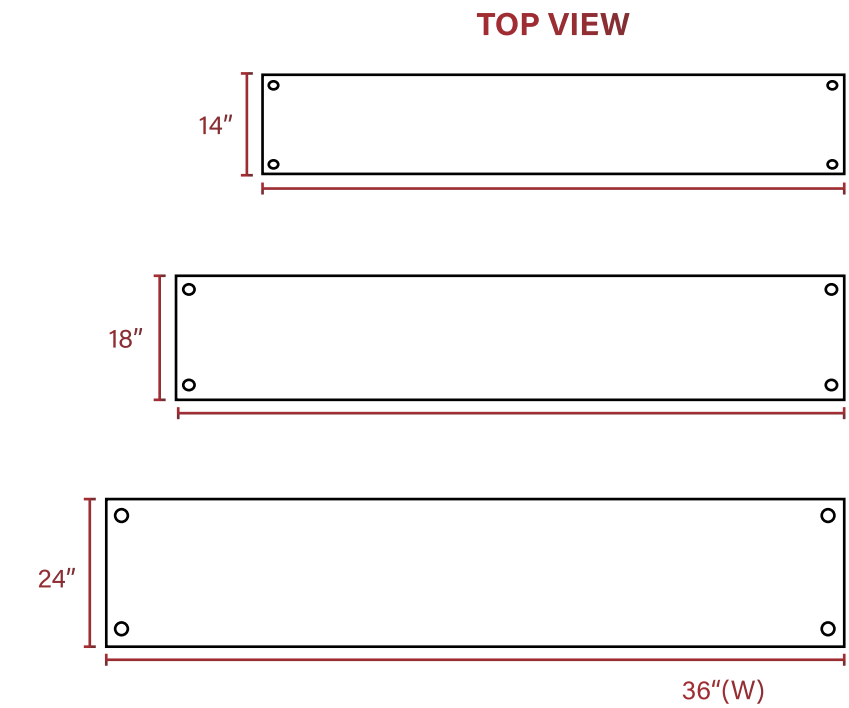




# 14" Chrome Wire Shelving & Posts

WS-1436CH

Size:	14"D x 36"W
Weight:	34 lbs
Width:	36 inches
Shipping Size:	37"W x 15"D x 7"H



## 14" Chrome Wire Shelving & Posts

### Features



- ✓ Provides long-lasting protection and extends shelf life.
- ✓ Ideal for showcasing and non-wet environments
- ✓ Suitable for various environments including coolers, freezers, and dry storage.
- ✓ Shelves up to 48" support 600 lbs; shelves 54" and longer support 400 lbs.
- ✓ Coverage against rust and corrosion for added peace of mind.
- ✓ Designed for quick and straightforward assembly without the need for tools.
- ✓ Shelves can be positioned at different heights to accommodate varying storage needs.
- ✓ All units are shipped unassembled to minimize shipping costs and packaging waste.
- ✓ Available in various sizes and configurations to fit specific storage requirements.

Height

### Chrome & Epoxy Wire Shelves

Model	EP = Epoxy CH = Chrome	Shipping Size	Product Size	Width	Weight
WS-1424	(EP/CH)	25"W x 15"D x 7"H	14"D x 24"W	24"	24 lbs
WS-1436	(EP/CH)	37"W x 15"D x 7"H	14"D x 36"W	36"	34 lbs
WS-1448	(EP/CH)	49"W x 15"D x 7"H	14"D x 48"W	48"	43 lbs
WS-1460	(EP/CH)	61"W x 15"D x 4"H	14"D x 60"W	60"	30 lbs
WS-1836	(EP/CH)	37"W x 19"D x 7"H	18"D x 36"W	36"	34 lbs
WS-1848	(EP/CH)	49"W x 19"D x 7"H	18"D x 48"W	48"	48 lbs
WS-1854	(EP/CH)	55"W x 19"D x 4"H	18"D x 54"W	54"	29 lbs
WS-1860	(EP/CH)	61"W x 19"D x 4"H	18"D x 60"W	60"	31 lbs
WS-1872	(EP/CH)	73"W x 19"D x 4"H	18"D x 72"W	72"	38 lbs
WS-2424	(EP/CH)	25"W x 25"D x 7"H	24"D x 24"W	24"	34 lbs
WS-2436	(EP/CH)	37"W x 25"D x 7"H	24"D x 36"W	36"	48 lbs
WS-2448	(EP/CH)	49"W x 25"D x 7"H	24"D x 48"W	48"	62 lbs
WS-2460	(EP/CH)	61"W x 25"D x 4"H	24"D x 60"W	60"	42 lbs
WS-2472	(EP/CH)	73"W x 25"D x 4"H	24"D x 72"W	72"	50 lbs

### Chrome & Epoxy Wire Posts

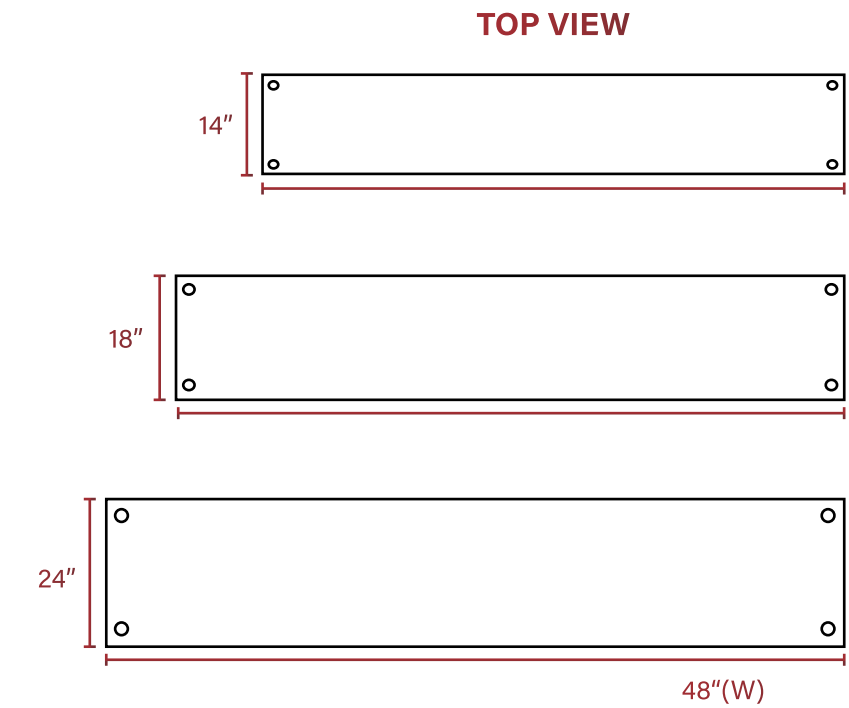
Model	EP = Epoxy CH = Chrome	Shipping Size	Product Size	Height	Weight
WP-64	(EP/CH)	25"W x 15"D x 7"H	14"D x 24"W	64"	15 lbs
WP-74	(EP/CH)	37"W x 15"D x 7"H	14"D x 36"W	74"	17 lbs
WP-86	(EP/CH)	49"W x 15"D x 7"H	14"D x 48"W	86"	20 lbs



# 14" Chrome Wire Shelving & Posts

WS-1448CH

Size:	14"D x 48"W
Weight:	43 lbs
Width:	48 inches
Shipping Size:	49"W x 15"D x 7"H



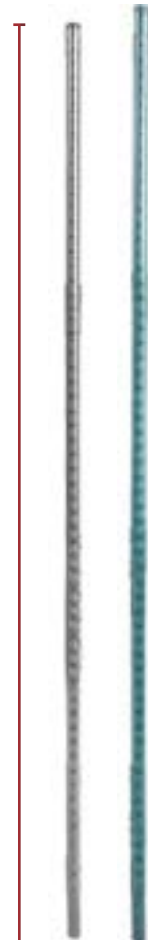
## 14" Chrome Wire Shelving & Posts

### Features



- ✓ Provides long-lasting protection and extends shelf life.
- ✓ Ideal for showcasing and non-wet environments
- ✓ Suitable for various environments including coolers, freezers, and dry storage.
- ✓ Shelves up to 48" support 600 lbs; shelves 54" and longer support 400 lbs.
- ✓ Coverage against rust and corrosion for added peace of mind.
- ✓ Designed for quick and straightforward assembly without the need for tools.
- ✓ Shelves can be positioned at different heights to accommodate varying storage needs.
- ✓ All units are shipped unassembled to minimize shipping costs and packaging waste.
- ✓ Available in various sizes and configurations to fit specific storage requirements.

Height



### Chrome & Epoxy Wire Shelves

Model	Shipping Size	Product Size	Width	Weight
WS-1424(EP/CH)	25"W x 15"D x 7"H	14"D x 24"W	24"	24 lbs
WS-1436(EP/CH)	37"W x 15"D x 7"H	14"D x 36"W	36"	34 lbs
WS-1448(EP/CH)	49"W x 15"D x 7"H	14"D x 48"W	48"	43 lbs
WS-1460(EP/CH)	61"W x 15"D x 4"H	14"D x 60"W	60"	30 lbs
WS-1836(EP/CH)	37"W x 19"D x 7"H	18"D x 36"W	36"	34 lbs
WS-1848(EP/CH)	49"W x 19"D x 7"H	18"D x 48"W	48"	48 lbs
WS-1854(EP/CH)	55"W x 19"D x 4"H	18"D x 54"W	54"	29 lbs
WS-1860(EP/CH)	61"W x 19"D x 4"H	18"D x 60"W	60"	31 lbs
WS-1872(EP/CH)	73"W x 19"D x 4"H	18"D x 72"W	72"	38 lbs
WS-2424(EP/CH)	25"W x 25"D x 7"H	24"D x 24"W	24"	34 lbs
WS-2436(EP/CH)	37"W x 25"D x 7"H	24"D x 36"W	36"	48 lbs
WS-2448(EP/CH)	49"W x 25"D x 7"H	24"D x 48"W	48"	62 lbs
WS-2460(EP/CH)	61"W x 25"D x 4"H	24"D x 60"W	60"	42 lbs
WS-2472(EP/CH)	73"W x 25"D x 4"H	24"D x 72"W	72"	50 lbs

### Chrome & Epoxy Wire Posts

Model	Shipping Size	Product Size	Height	Weight
WP-64(EP/CH)	25"W x 15"D x 7"H	14"D x 24"W	64"	15 lbs
WP-74(EP/CH)	37"W x 15"D x 7"H	14"D x 36"W	74"	17 lbs
WP-86(EP/CH)	49"W x 15"D x 7"H	14"D x 48"W	86"	20 lbs

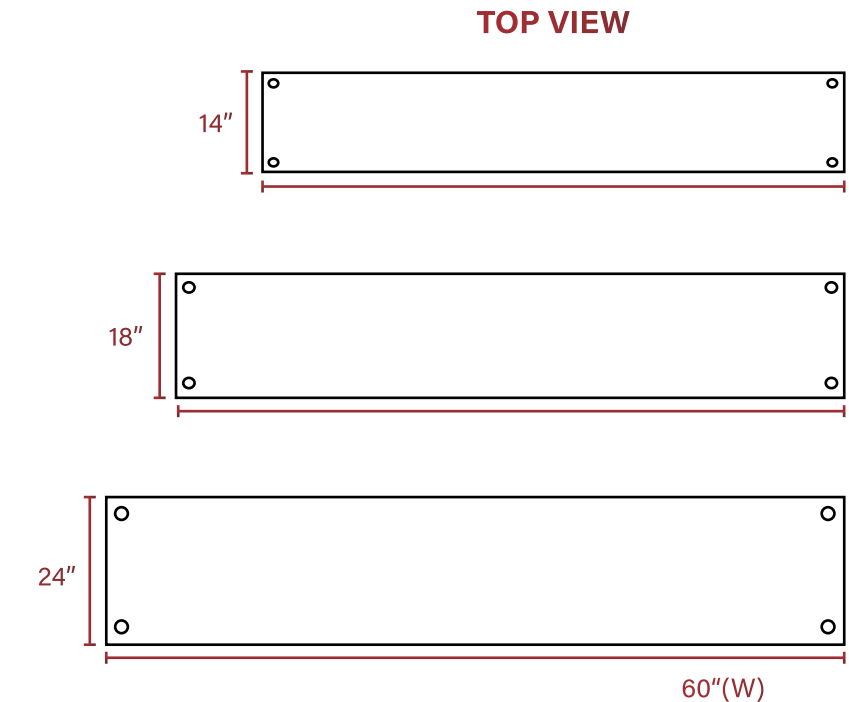




## 14" Chrome Wire Shelving & Posts

WS-1460CH

Size:	14"D x 60"W
Weight:	30 lbs
Width:	60 inches
Shipping Size:	61"W x 15"D x 4"H



## 14" Chrome Wire Shelving & Posts

### Features



- ✓ Provides long-lasting protection and extends shelf life.
- ✓ Ideal for showcasing and non-wet environments
- ✓ Suitable for various environments including coolers, freezers, and dry storage.
- ✓ Shelves up to 48" support 600 lbs; shelves 54" and longer support 400 lbs.
- ✓ Coverage against rust and corrosion for added peace of mind.
- ✓ Designed for quick and straightforward assembly without the need for tools.
- ✓ Shelves can be positioned at different heights to accommodate varying storage needs.
- ✓ All units are shipped unassembled to minimize shipping costs and packaging waste.
- ✓ Available in various sizes and configurations to fit specific storage requirements.

Height

### Chrome & Epoxy Wire Shelves

Model	Shipping Size	Product Size	Width	Weight
WS-1424(EP/CH)	25"W x 15"D x 7"H	14"D x 24"W	24"	24 lbs
WS-1436(EP/CH)	37"W x 15"D x 7"H	14"D x 36"W	36"	34 lbs
WS-1448(EP/CH)	49"W x 15"D x 7"H	14"D x 48"W	48"	43 lbs
WS-1460(EP/CH)	61"W x 15"D x 4"H	14"D x 60"W	60"	30 lbs
WS-1836(EP/CH)	37"W x 19"D x 7"H	18"D x 36"W	36"	34 lbs
WS-1848(EP/CH)	49"W x 19"D x 7"H	18"D x 48"W	48"	48 lbs
WS-1854(EP/CH)	55"W x 19"D x 4"H	18"D x 54"W	54"	29 lbs
WS-1860(EP/CH)	61"W x 19"D x 4"H	18"D x 60"W	60"	31 lbs
WS-1872(EP/CH)	73"W x 19"D x 4"H	18"D x 72"W	72"	38 lbs
WS-2424(EP/CH)	25"W x 25"D x 7"H	24"D x 24"W	24"	34 lbs
WS-2436(EP/CH)	37"W x 25"D x 7"H	24"D x 36"W	36"	48 lbs
WS-2448(EP/CH)	49"W x 25"D x 7"H	24"D x 48"W	48"	62 lbs
WS-2460(EP/CH)	61"W x 25"D x 4"H	24"D x 60"W	60"	42 lbs
WS-2472(EP/CH)	73"W x 25"D x 4"H	24"D x 72"W	72"	50 lbs

### Chrome & Epoxy Wire Posts

Model	Shipping Size	Product Size	Height	Weight
WP-64(EP/CH)	25"W x 15"D x 7"H	14"D x 24"W	64"	15 lbs
WP-74(EP/CH)	37"W x 15"D x 7"H	14"D x 36"W	74"	17 lbs
WP-86(EP/CH)	49"W x 15"D x 7"H	14"D x 48"W	86"	20 lbs

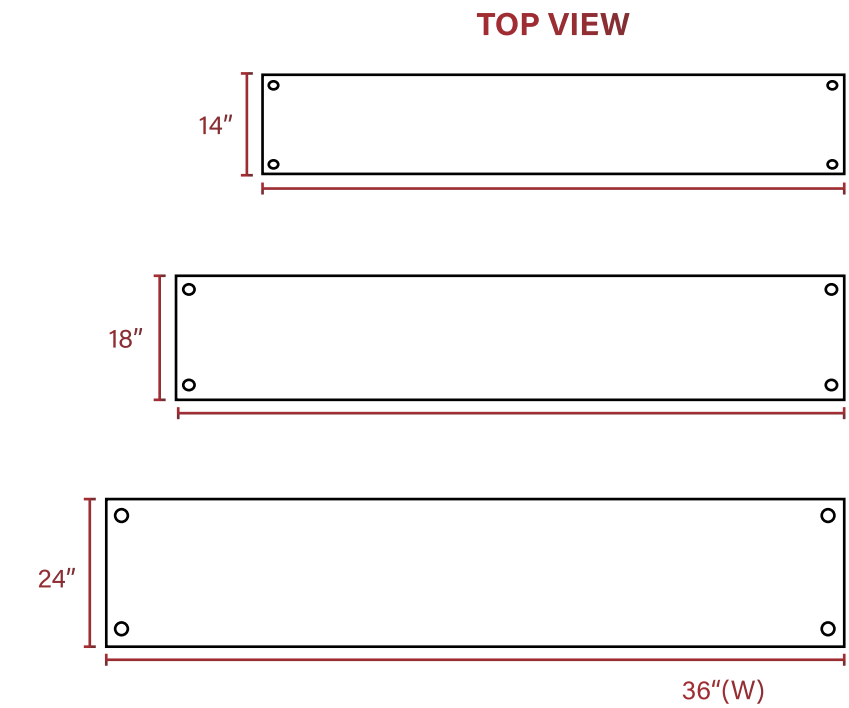




## 18" Chrome Wire Shelving & Posts

WS-1836CH

Size:	18"D x 36"W
Weight:	34 lbs
Width:	36 inches
Shipping Size:	37"W x 19"D x 7"H



### 18" Chrome Wire Shelving & Posts

#### Features



- Provides long-lasting protection and extends shelf life.
- Ideal for showcasing and non-wet environments
- Suitable for various environments including coolers, freezers, and dry storage.
- Shelves up to 48" support 600 lbs; shelves 54" and longer support 400 lbs.
- Coverage against rust and corrosion for added peace of mind.
- Designed for quick and straightforward assembly without the need for tools.
- Shelves can be positioned at different heights to accommodate varying storage needs.
- All units are shipped unassembled to minimize shipping costs and packaging waste.
- Available in various sizes and configurations to fit specific storage requirements.

Height

#### Chrome & Epoxy Wire Shelves

Model	EP = Epoxy CH = Chrome	Shipping Size	Product Size	Width	Weight
WS-1424	(EP/CH)	25"W x 15"D x 7"H	14"D x 24"W	24"	24 lbs
WS-1436	(EP/CH)	37"W x 15"D x 7"H	14"D x 36"W	36"	34 lbs
WS-1448	(EP/CH)	49"W x 15"D x 7"H	14"D x 48"W	48"	43 lbs
WS-1460	(EP/CH)	61"W x 15"D x 4"H	14"D x 60"W	60"	30 lbs
WS-1836	(EP/CH)	37"W x 19"D x 7"H	18"D x 36"W	36"	34 lbs
WS-1848	(EP/CH)	49"W x 19"D x 7"H	18"D x 48"W	48"	48 lbs
WS-1854	(EP/CH)	55"W x 19"D x 4"H	18"D x 54"W	54"	29 lbs
WS-1860	(EP/CH)	61"W x 19"D x 4"H	18"D x 60"W	60"	31 lbs
WS-1872	(EP/CH)	73"W x 19"D x 4"H	18"D x 72"W	72"	38 lbs
WS-2424	(EP/CH)	25"W x 25"D x 7"H	24"D x 24"W	24"	34 lbs
WS-2436	(EP/CH)	37"W x 25"D x 7"H	24"D x 36"W	36"	48 lbs
WS-2448	(EP/CH)	49"W x 25"D x 7"H	24"D x 48"W	48"	62 lbs
WS-2460	(EP/CH)	61"W x 25"D x 4"H	24"D x 60"W	60"	42 lbs
WS-2472	(EP/CH)	73"W x 25"D x 4"H	24"D x 72"W	72"	50 lbs

#### Chrome & Epoxy Wire Posts

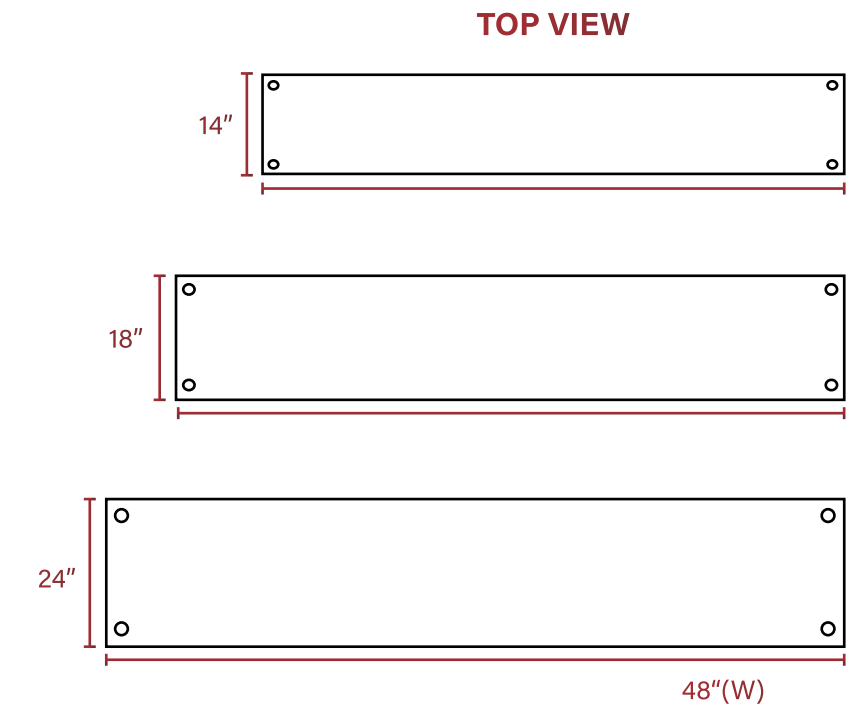
Model	EP = Epoxy CH = Chrome	Shipping Size	Product Size	Height	Weight
WP-64	(EP/CH)	25"W x 15"D x 7"H	14"D x 24"W	64"	15 lbs
WP-74	(EP/CH)	37"W x 15"D x 7"H	14"D x 36"W	74"	17 lbs
WP-86	(EP/CH)	49"W x 15"D x 7"H	14"D x 48"W	86"	20 lbs



## 18" Chrome Wire Shelving & Posts

WS-1848CH

Size:	18"D x 48"W
Weight:	48 lbs
Width:	48 inches
Shipping Size:	49"W x 19"D x 7"H



## 18" Chrome Wire Shelving & Posts

### Features



- ✓ Provides long-lasting protection and extends shelf life.
- ✓ Ideal for showcasing and non-wet environments
- ✓ Suitable for various environments including coolers, freezers, and dry storage.
- ✓ Shelves up to 48" support 600 lbs; shelves 54" and longer support 400 lbs.
- ✓ Coverage against rust and corrosion for added peace of mind.
- ✓ Designed for quick and straightforward assembly without the need for tools.
- ✓ Shelves can be positioned at different heights to accommodate varying storage needs.
- ✓ All units are shipped unassembled to minimize shipping costs and packaging waste.
- ✓ Available in various sizes and configurations to fit specific storage requirements.

Height

### Chrome & Epoxy Wire Shelves

Model	EP = Epoxy CH = Chrome	Shipping Size	Product Size	Width	Weight
WS-1424	(EP/CH)	25"W x 15"D x 7"H	14"D x 24"W	24"	24 lbs
WS-1436	(EP/CH)	37"W x 15"D x 7"H	14"D x 36"W	36"	34 lbs
WS-1448	(EP/CH)	49"W x 15"D x 7"H	14"D x 48"W	48"	43 lbs
WS-1460	(EP/CH)	61"W x 15"D x 4"H	14"D x 60"W	60"	30 lbs
WS-1836	(EP/CH)	37"W x 19"D x 7"H	18"D x 36"W	36"	34 lbs
WS-1848	(EP/CH)	49"W x 19"D x 7"H	18"D x 48"W	48"	48 lbs
WS-1854	(EP/CH)	55"W x 19"D x 4"H	18"D x 54"W	54"	29 lbs
WS-1860	(EP/CH)	61"W x 19"D x 4"H	18"D x 60"W	60"	31 lbs
WS-1872	(EP/CH)	73"W x 19"D x 4"H	18"D x 72"W	72"	38 lbs
WS-2424	(EP/CH)	25"W x 25"D x 7"H	24"D x 24"W	24"	34 lbs
WS-2436	(EP/CH)	37"W x 25"D x 7"H	24"D x 36"W	36"	48 lbs
WS-2448	(EP/CH)	49"W x 25"D x 7"H	24"D x 48"W	48"	62 lbs
WS-2460	(EP/CH)	61"W x 25"D x 4"H	24"D x 60"W	60"	42 lbs
WS-2472	(EP/CH)	73"W x 25"D x 4"H	24"D x 72"W	72"	50 lbs

### Chrome & Epoxy Wire Posts

Model	EP = Epoxy CH = Chrome	Shipping Size	Product Size	Height	Weight
WP-64	(EP/CH)	25"W x 15"D x 7"H	14"D x 24"W	64"	15 lbs
WP-74	(EP/CH)	37"W x 15"D x 7"H	14"D x 36"W	74"	17 lbs
WP-86	(EP/CH)	49"W x 15"D x 7"H	14"D x 48"W	86"	20 lbs

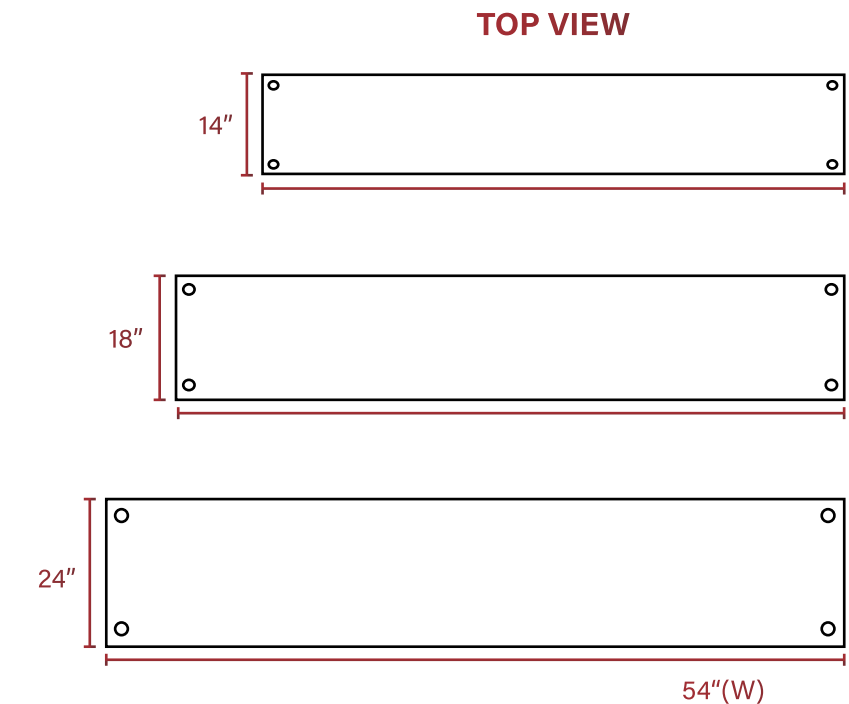




## 18" Chrome Wire Shelving & Posts

WS-1854CH

Size:	18"D x 54"W
Weight:	29 lbs
Width:	54 inches
Shipping Size:	55"W x 19"D x 4"H



## 18" Chrome Wire Shelving & Posts

### Features



- Provides long-lasting protection and extends shelf life.
- Ideal for showcasing and non-wet environments
- Suitable for various environments including coolers, freezers, and dry storage.
- Shelves up to 48" support 600 lbs; shelves 54" and longer support 400 lbs.
- Coverage against rust and corrosion for added peace of mind.
- Designed for quick and straightforward assembly without the need for tools.
- Shelves can be positioned at different heights to accommodate varying storage needs.
- All units are shipped unassembled to minimize shipping costs and packaging waste.
- Available in various sizes and configurations to fit specific storage requirements.

Height

### Chrome & Epoxy Wire Shelves

Model	EP = Epoxy CH = Chrome	Shipping Size	Product Size	Width	Weight
WS-1424	(EP/CH)	25"W x 15"D x 7"H	14"D x 24"W	24"	24 lbs
WS-1436	(EP/CH)	37"W x 15"D x 7"H	14"D x 36"W	36"	34 lbs
WS-1448	(EP/CH)	49"W x 15"D x 7"H	14"D x 48"W	48"	43 lbs
WS-1460	(EP/CH)	61"W x 15"D x 4"H	14"D x 60"W	60"	30 lbs
WS-1836	(EP/CH)	37"W x 19"D x 7"H	18"D x 36"W	36"	34 lbs
WS-1848	(EP/CH)	49"W x 19"D x 7"H	18"D x 48"W	48"	48 lbs
WS-1854	(EP/CH)	55"W x 19"D x 4"H	18"D x 54"W	54"	29 lbs
WS-1860	(EP/CH)	61"W x 19"D x 4"H	18"D x 60"W	60"	31 lbs
WS-1872	(EP/CH)	73"W x 19"D x 4"H	18"D x 72"W	72"	38 lbs
WS-2424	(EP/CH)	25"W x 25"D x 7"H	24"D x 24"W	24"	34 lbs
WS-2436	(EP/CH)	37"W x 25"D x 7"H	24"D x 36"W	36"	48 lbs
WS-2448	(EP/CH)	49"W x 25"D x 7"H	24"D x 48"W	48"	62 lbs
WS-2460	(EP/CH)	61"W x 25"D x 4"H	24"D x 60"W	60"	42 lbs
WS-2472	(EP/CH)	73"W x 25"D x 4"H	24"D x 72"W	72"	50 lbs

### Chrome & Epoxy Wire Posts

Model	EP = Epoxy CH = Chrome	Shipping Size	Product Size	Height	Weight
WP-64	(EP/CH)	25"W x 15"D x 7"H	14"D x 24"W	64"	15 lbs
WP-74	(EP/CH)	37"W x 15"D x 7"H	14"D x 36"W	74"	17 lbs
WP-86	(EP/CH)	49"W x 15"D x 7"H	14"D x 48"W	86"	20 lbs

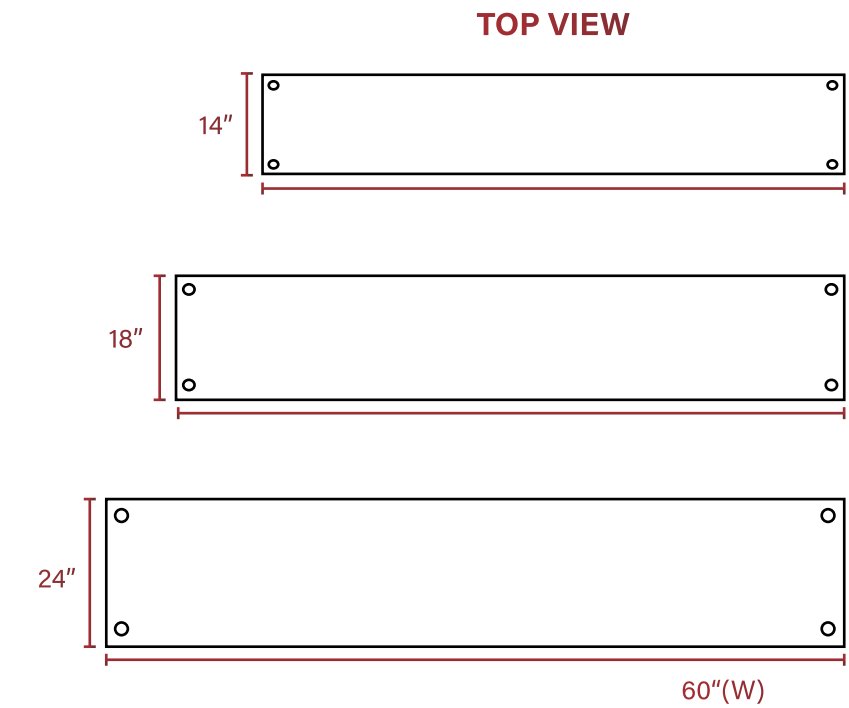




## 18" Chrome Wire Shelving & Posts

WS-1860CH

Size:	18"D x 60"W
Weight:	31 lbs
Width:	60 inches
Shipping Size:	61"W x 19"D x 4"H



### 18" Chrome Wire Shelving & Posts

#### Features



- ✓ Provides long-lasting protection and extends shelf life.
- ✓ Ideal for showcasing and non-wet environments
- ✓ Suitable for various environments including coolers, freezers, and dry storage.
- ✓ Shelves up to 48" support 600 lbs; shelves 54" and longer support 400 lbs.
- ✓ Coverage against rust and corrosion for added peace of mind.
- ✓ Designed for quick and straightforward assembly without the need for tools.
- ✓ Shelves can be positioned at different heights to accommodate varying storage needs.
- ✓ All units are shipped unassembled to minimize shipping costs and packaging waste.
- ✓ Available in various sizes and configurations to fit specific storage requirements.

Height

#### Chrome & Epoxy Wire Shelves

Model	Shipping Size	Product Size	Width	Weight
WS-1424(EP/CH)	25"W x 15"D x 7"H	14"D x 24"W	24"	24 lbs
WS-1436(EP/CH)	37"W x 15"D x 7"H	14"D x 36"W	36"	34 lbs
WS-1448(EP/CH)	49"W x 15"D x 7"H	14"D x 48"W	48"	43 lbs
WS-1460(EP/CH)	61"W x 15"D x 4"H	14"D x 60"W	60"	30 lbs
WS-1836(EP/CH)	37"W x 19"D x 7"H	18"D x 36"W	36"	34 lbs
WS-1848(EP/CH)	49"W x 19"D x 7"H	18"D x 48"W	48"	48 lbs
WS-1854(EP/CH)	55"W x 19"D x 4"H	18"D x 54"W	54"	29 lbs
WS-1860(EP/CH)	61"W x 19"D x 4"H	18"D x 60"W	60"	31 lbs
WS-1872(EP/CH)	73"W x 19"D x 4"H	18"D x 72"W	72"	38 lbs
WS-2424(EP/CH)	25"W x 25"D x 7"H	24"D x 24"W	24"	34 lbs
WS-2436(EP/CH)	37"W x 25"D x 7"H	24"D x 36"W	36"	48 lbs
WS-2448(EP/CH)	49"W x 25"D x 7"H	24"D x 48"W	48"	62 lbs
WS-2460(EP/CH)	61"W x 25"D x 4"H	24"D x 60"W	60"	42 lbs
WS-2472(EP/CH)	73"W x 25"D x 4"H	24"D x 72"W	72"	50 lbs

#### Chrome & Epoxy Wire Posts

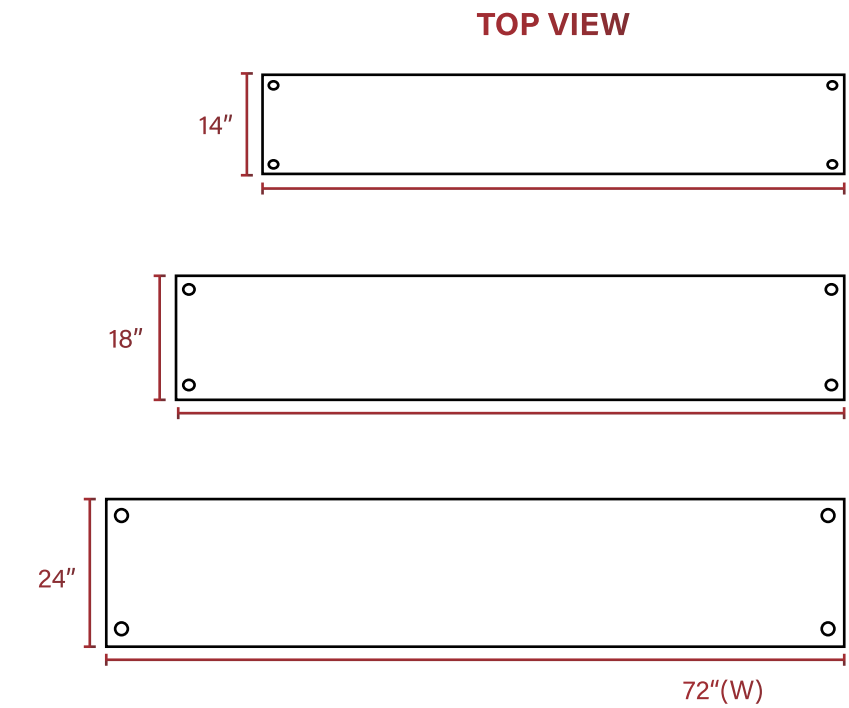
Model	Shipping Size	Product Size	Height	Weight
WP-64(EP/CH)	25"W x 15"D x 7"H	14"D x 24"W	64"	15 lbs
WP-74(EP/CH)	37"W x 15"D x 7"H	14"D x 36"W	74"	17 lbs
WP-86(EP/CH)	49"W x 15"D x 7"H	14"D x 48"W	86"	20 lbs



# 18" Chrome Wire Shelving & Posts

WS-1872CH

Size:	18"D x 72"W
Weight:	38 lbs
Width:	72 inches
Shipping Size:	73"W x 19"D x 4"H



## 18" Chrome Wire Shelving & Posts

### Features



- ✓ Provides long-lasting protection and extends shelf life.
- ✓ Ideal for showcasing and non-wet environments
- ✓ Suitable for various environments including coolers, freezers, and dry storage.
- ✓ Shelves up to 48" support 600 lbs; shelves 54" and longer support 400 lbs.
- ✓ Coverage against rust and corrosion for added peace of mind.
- ✓ Designed for quick and straightforward assembly without the need for tools.
- ✓ Shelves can be positioned at different heights to accommodate varying storage needs.
- ✓ All units are shipped unassembled to minimize shipping costs and packaging waste.
- ✓ Available in various sizes and configurations to fit specific storage requirements.

Height

### Chrome & Epoxy Wire Shelves

Model	Shipping Size	Product Size	Width	Weight
WS-1424(EP/CH)	25"W x 15"D x 7"H	14"D x 24"W	24"	24 lbs
WS-1436(EP/CH)	37"W x 15"D x 7"H	14"D x 36"W	36"	34 lbs
WS-1448(EP/CH)	49"W x 15"D x 7"H	14"D x 48"W	48"	43 lbs
WS-1460(EP/CH)	61"W x 15"D x 4"H	14"D x 60"W	60"	30 lbs
WS-1836(EP/CH)	37"W x 19"D x 7"H	18"D x 36"W	36"	34 lbs
WS-1848(EP/CH)	49"W x 19"D x 7"H	18"D x 48"W	48"	48 lbs
WS-1854(EP/CH)	55"W x 19"D x 4"H	18"D x 54"W	54"	29 lbs
WS-1860(EP/CH)	61"W x 19"D x 4"H	18"D x 60"W	60"	31 lbs
WS-1872(EP/CH)	73"W x 19"D x 4"H	18"D x 72"W	72"	38 lbs
WS-2424(EP/CH)	25"W x 25"D x 7"H	24"D x 24"W	24"	34 lbs
WS-2436(EP/CH)	37"W x 25"D x 7"H	24"D x 36"W	36"	48 lbs
WS-2448(EP/CH)	49"W x 25"D x 7"H	24"D x 48"W	48"	62 lbs
WS-2460(EP/CH)	61"W x 25"D x 4"H	24"D x 60"W	60"	42 lbs
WS-2472(EP/CH)	73"W x 25"D x 4"H	24"D x 72"W	72"	50 lbs

### Chrome & Epoxy Wire Posts

Model	Shipping Size	Product Size	Height	Weight
WP-64(EP/CH)	25"W x 15"D x 7"H	14"D x 24"W	64"	15 lbs
WP-74(EP/CH)	37"W x 15"D x 7"H	14"D x 36"W	74"	17 lbs
WP-86(EP/CH)	49"W x 15"D x 7"H	14"D x 48"W	86"	20 lbs

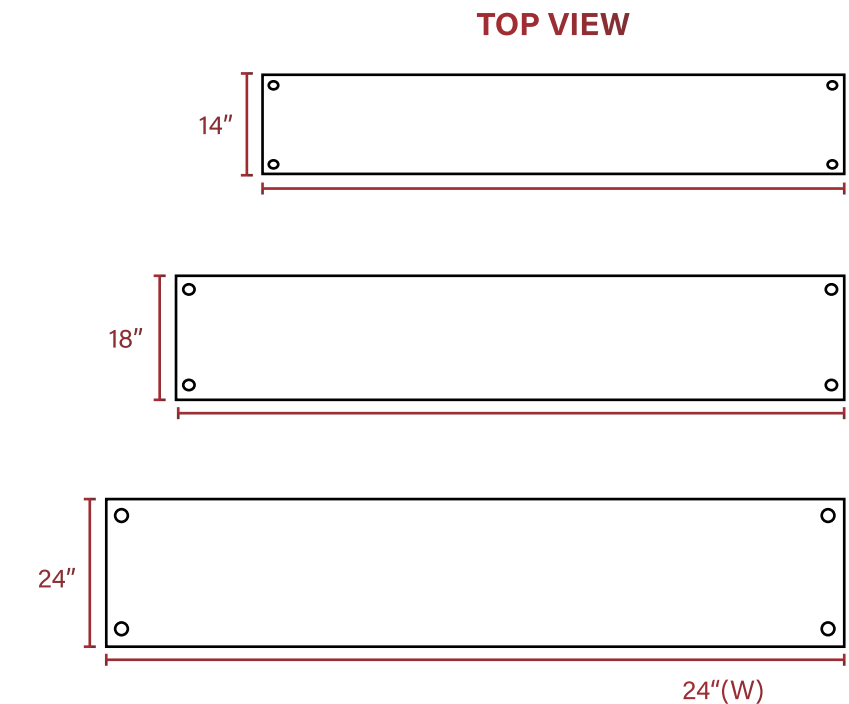




## 24" Chrome Wire Shelving & Posts

WS-2424CH

Size:	24"D x 24"W
Weight:	34 lbs
Width:	24 inches
Shipping Size:	25"W x 25"D x 7"H



## 24" Chrome Wire Shelving & Posts

### Features



- ✓ Provides long-lasting protection and extends shelf life.
- ✓ Ideal for showcasing and non-wet environments
- ✓ Suitable for various environments including coolers, freezers, and dry storage.
- ✓ Shelves up to 48" support 600 lbs; shelves 54" and longer support 400 lbs.
- ✓ Coverage against rust and corrosion for added peace of mind.
- ✓ Designed for quick and straightforward assembly without the need for tools.
- ✓ Shelves can be positioned at different heights to accommodate varying storage needs.
- ✓ All units are shipped unassembled to minimize shipping costs and packaging waste.
- ✓ Available in various sizes and configurations to fit specific storage requirements.

Height

### Chrome & Epoxy Wire Shelves

Model	Shipping Size	Product Size	Width	Weight
WS-1424(EP/CH)	25"W x 15"D x 7"H	14"D x 24"W	24"	24 lbs
WS-1436(EP/CH)	37"W x 15"D x 7"H	14"D x 36"W	36"	34 lbs
WS-1448(EP/CH)	49"W x 15"D x 7"H	14"D x 48"W	48"	43 lbs
WS-1460(EP/CH)	61"W x 15"D x 4"H	14"D x 60"W	60"	30 lbs
WS-1836(EP/CH)	37"W x 19"D x 7"H	18"D x 36"W	36"	34 lbs
WS-1848(EP/CH)	49"W x 19"D x 7"H	18"D x 48"W	48"	48 lbs
WS-1854(EP/CH)	55"W x 19"D x 4"H	18"D x 54"W	54"	29 lbs
WS-1860(EP/CH)	61"W x 19"D x 4"H	18"D x 60"W	60"	31 lbs
WS-1872(EP/CH)	73"W x 19"D x 4"H	18"D x 72"W	72"	38 lbs
WS-2424(EP/CH)	25"W x 25"D x 7"H	24"D x 24"W	24"	34 lbs
WS-2436(EP/CH)	37"W x 25"D x 7"H	24"D x 36"W	36"	48 lbs
WS-2448(EP/CH)	49"W x 25"D x 7"H	24"D x 48"W	48"	62 lbs
WS-2460(EP/CH)	61"W x 25"D x 4"H	24"D x 60"W	60"	42 lbs
WS-2472(EP/CH)	73"W x 25"D x 4"H	24"D x 72"W	72"	50 lbs

### Chrome & Epoxy Wire Posts

Model	Shipping Size	Product Size	Height	Weight
WP-64(EP/CH)	25"W x 15"D x 7"H	14"D x 24"W	64"	15 lbs
WP-74(EP/CH)	37"W x 15"D x 7"H	14"D x 36"W	74"	17 lbs
WP-86(EP/CH)	49"W x 15"D x 7"H	14"D x 48"W	86"	20 lbs

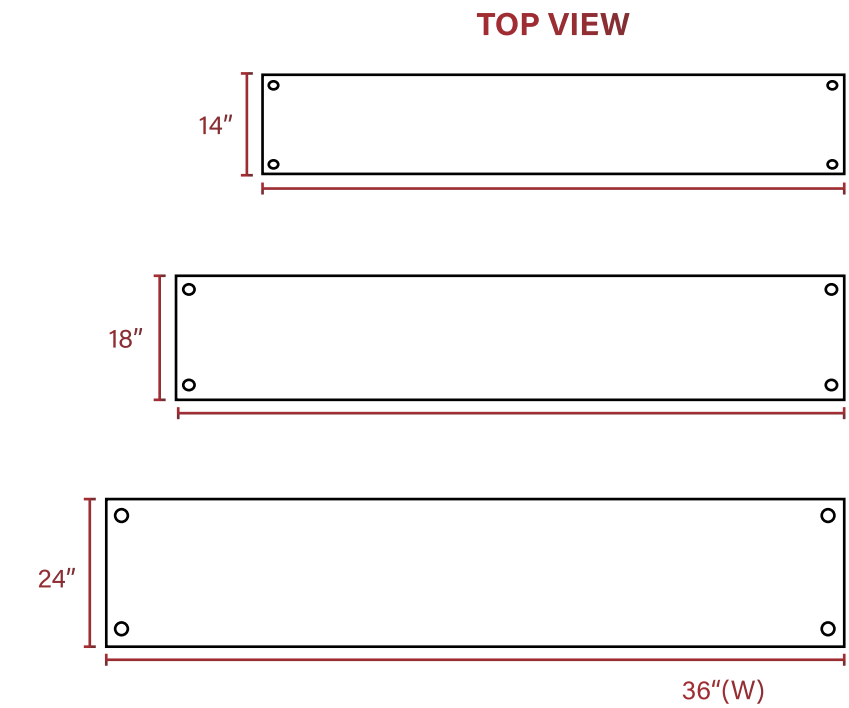




## 24" Chrome Wire Shelving & Posts

WS-2436CH

Size:	24"D x 36"W
Weight:	48 lbs
Width:	36 inches
Shipping Size:	37"W x 25"D x 7"H



## 24" Chrome Wire Shelving & Posts

### Features



- ✓ Provides long-lasting protection and extends shelf life.
- ✓ Ideal for showcasing and non-wet environments
- ✓ Suitable for various environments including coolers, freezers, and dry storage.
- ✓ Shelves up to 48" support 600 lbs; shelves 54" and longer support 400 lbs.
- ✓ Coverage against rust and corrosion for added peace of mind.
- ✓ Designed for quick and straightforward assembly without the need for tools.
- ✓ Shelves can be positioned at different heights to accommodate varying storage needs.
- ✓ All units are shipped unassembled to minimize shipping costs and packaging waste.
- ✓ Available in various sizes and configurations to fit specific storage requirements.

Height

### Chrome & Epoxy Wire Shelves

Model	Shipping Size	Product Size	Width	Weight
WS-1424(EP/CH)	25"W x 15"D x 7"H	14"D x 24"W	24"	24 lbs
WS-1436(EP/CH)	37"W x 15"D x 7"H	14"D x 36"W	36"	34 lbs
WS-1448(EP/CH)	49"W x 15"D x 7"H	14"D x 48"W	48"	43 lbs
WS-1460(EP/CH)	61"W x 15"D x 4"H	14"D x 60"W	60"	30 lbs
WS-1836(EP/CH)	37"W x 19"D x 7"H	18"D x 36"W	36"	34 lbs
WS-1848(EP/CH)	49"W x 19"D x 7"H	18"D x 48"W	48"	48 lbs
WS-1854(EP/CH)	55"W x 19"D x 4"H	18"D x 54"W	54"	29 lbs
WS-1860(EP/CH)	61"W x 19"D x 4"H	18"D x 60"W	60"	31 lbs
WS-1872(EP/CH)	73"W x 19"D x 4"H	18"D x 72"W	72"	38 lbs
WS-2424(EP/CH)	25"W x 25"D x 7"H	24"D x 24"W	24"	34 lbs
WS-2436(EP/CH)	37"W x 25"D x 7"H	24"D x 36"W	36"	48 lbs
WS-2448(EP/CH)	49"W x 25"D x 7"H	24"D x 48"W	48"	62 lbs
WS-2460(EP/CH)	61"W x 25"D x 4"H	24"D x 60"W	60"	42 lbs
WS-2472(EP/CH)	73"W x 25"D x 4"H	24"D x 72"W	72"	50 lbs

### Chrome & Epoxy Wire Posts

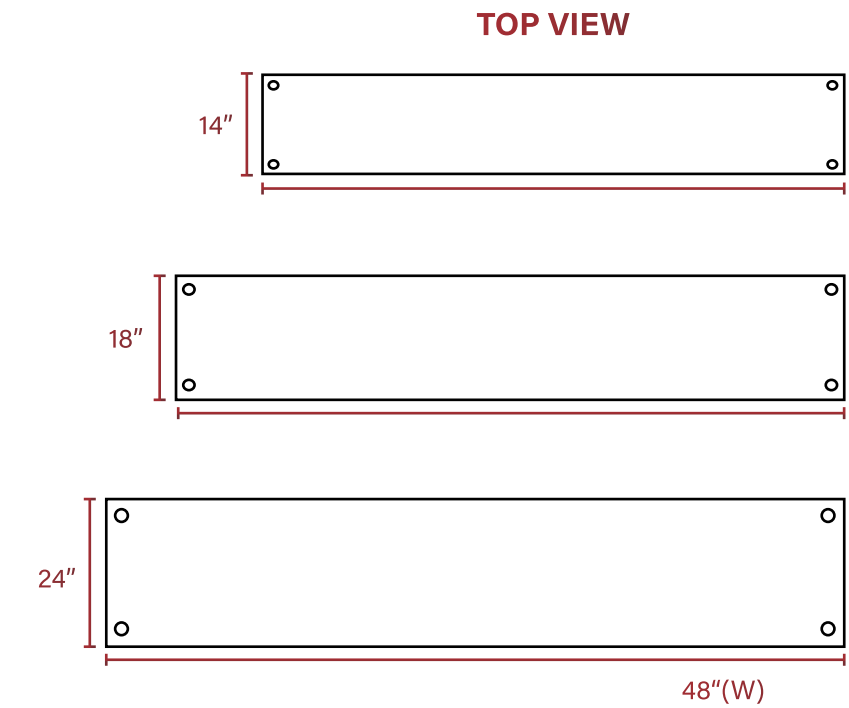
Model	Shipping Size	Product Size	Height	Weight
WP-64(EP/CH)	25"W x 15"D x 7"H	14"D x 24"W	64"	15 lbs
WP-74(EP/CH)	37"W x 15"D x 7"H	14"D x 36"W	74"	17 lbs
WP-86(EP/CH)	49"W x 15"D x 7"H	14"D x 48"W	86"	20 lbs



## 24" Chrome Wire Shelving & Posts

WS2448CH

Size:	24"D x 48"W
Weight:	62 lbs
Width:	48 inches
Shipping Size:	49"W x 25"D x 7"H



## 24" Chrome Wire Shelving & Posts

### Features



- ✓ Provides long-lasting protection and extends shelf life.
- ✓ Ideal for showcasing and non-wet environments
- ✓ Suitable for various environments including coolers, freezers, and dry storage.
- ✓ Shelves up to 48" support 600 lbs; shelves 54" and longer support 400 lbs.
- ✓ Coverage against rust and corrosion for added peace of mind.
- ✓ Designed for quick and straightforward assembly without the need for tools.
- ✓ Shelves can be positioned at different heights to accommodate varying storage needs.
- ✓ All units are shipped unassembled to minimize shipping costs and packaging waste.
- ✓ Available in various sizes and configurations to fit specific storage requirements.

Height

### Chrome & Epoxy Wire Shelves

Model	Shipping Size	Product Size	Width	Weight
WS-1424(EP/CH)	25"W x 15"D x 7"H	14"D x 24"W	24"	24 lbs
WS-1436(EP/CH)	37"W x 15"D x 7"H	14"D x 36"W	36"	34 lbs
WS-1448(EP/CH)	49"W x 15"D x 7"H	14"D x 48"W	48"	43 lbs
WS-1460(EP/CH)	61"W x 15"D x 4"H	14"D x 60"W	60"	30 lbs
WS-1836(EP/CH)	37"W x 19"D x 7"H	18"D x 36"W	36"	34 lbs
WS-1848(EP/CH)	49"W x 19"D x 7"H	18"D x 48"W	48"	48 lbs
WS-1854(EP/CH)	55"W x 19"D x 4"H	18"D x 54"W	54"	29 lbs
WS-1860(EP/CH)	61"W x 19"D x 4"H	18"D x 60"W	60"	31 lbs
WS-1872(EP/CH)	73"W x 19"D x 4"H	18"D x 72"W	72"	38 lbs
WS-2424(EP/CH)	25"W x 25"D x 7"H	24"D x 24"W	24"	34 lbs
WS-2436(EP/CH)	37"W x 25"D x 7"H	24"D x 36"W	36"	48 lbs
WS-2448(EP/CH)	49"W x 25"D x 7"H	24"D x 48"W	48"	62 lbs
WS-2460(EP/CH)	61"W x 25"D x 4"H	24"D x 60"W	60"	42 lbs
WS-2472(EP/CH)	73"W x 25"D x 4"H	24"D x 72"W	72"	50 lbs

### Chrome & Epoxy Wire Posts

Model	Shipping Size	Product Size	Height	Weight
WP-64(EP/CH)	25"W x 15"D x 7"H	14"D x 24"W	64"	15 lbs
WP-74(EP/CH)	37"W x 15"D x 7"H	14"D x 36"W	74"	17 lbs
WP-86(EP/CH)	49"W x 15"D x 7"H	14"D x 48"W	86"	20 lbs

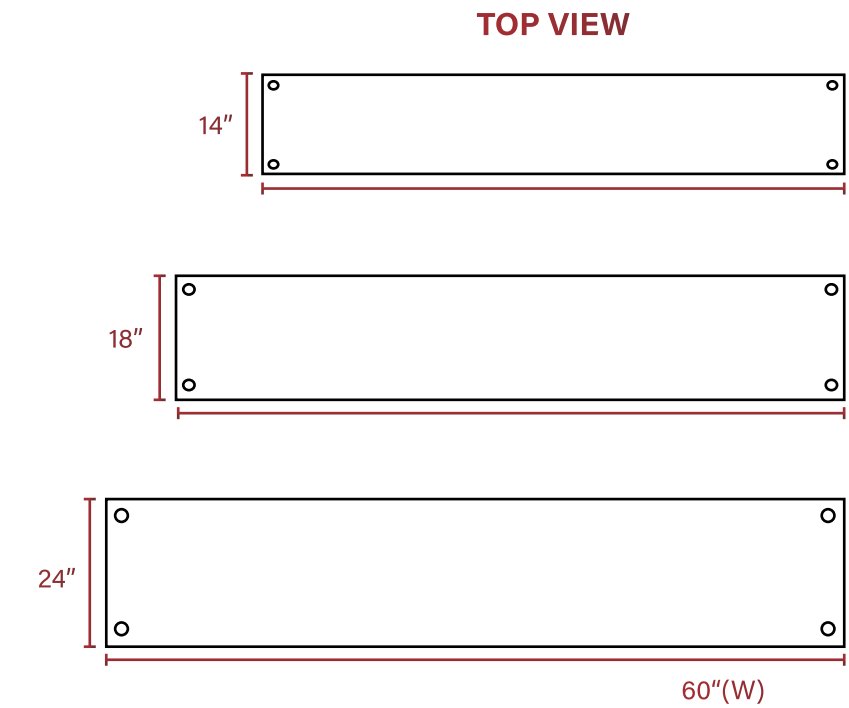




## 24" Chrome Wire Shelving & Posts

WS-2460CH

Size:	24"D x 60"W
Weight:	42 lbs
Width:	60 inches
Shipping Size:	61"W x 25"D x 4"H



## 24" Chrome Wire Shelving & Posts

### Features



- ✓ Provides long-lasting protection and extends shelf life.
- ✓ Ideal for showcasing and non-wet environments
- ✓ Suitable for various environments including coolers, freezers, and dry storage.
- ✓ Shelves up to 48" support 600 lbs; shelves 54" and longer support 400 lbs.
- ✓ Coverage against rust and corrosion for added peace of mind.
- ✓ Designed for quick and straightforward assembly without the need for tools.
- ✓ Shelves can be positioned at different heights to accommodate varying storage needs.
- ✓ All units are shipped unassembled to minimize shipping costs and packaging waste.
- ✓ Available in various sizes and configurations to fit specific storage requirements.

Height

### Chrome & Epoxy Wire Shelves

Model	Shipping Size	Product Size	Width	Weight
WS-1424(EP/CH)	25"W x 15"D x 7"H	14"D x 24"W	24"	24 lbs
WS-1436(EP/CH)	37"W x 15"D x 7"H	14"D x 36"W	36"	34 lbs
WS-1448(EP/CH)	49"W x 15"D x 7"H	14"D x 48"W	48"	43 lbs
WS-1460(EP/CH)	61"W x 15"D x 4"H	14"D x 60"W	60"	30 lbs
WS-1836(EP/CH)	37"W x 19"D x 7"H	18"D x 36"W	36"	34 lbs
WS-1848(EP/CH)	49"W x 19"D x 7"H	18"D x 48"W	48"	48 lbs
WS-1854(EP/CH)	55"W x 19"D x 4"H	18"D x 54"W	54"	29 lbs
WS-1860(EP/CH)	61"W x 19"D x 4"H	18"D x 60"W	60"	31 lbs
WS-1872(EP/CH)	73"W x 19"D x 4"H	18"D x 72"W	72"	38 lbs
WS-2424(EP/CH)	25"W x 25"D x 7"H	24"D x 24"W	24"	34 lbs
WS-2436(EP/CH)	37"W x 25"D x 7"H	24"D x 36"W	36"	48 lbs
WS-2448(EP/CH)	49"W x 25"D x 7"H	24"D x 48"W	48"	62 lbs
WS-2460(EP/CH)	61"W x 25"D x 4"H	24"D x 60"W	60"	42 lbs
WS-2472(EP/CH)	73"W x 25"D x 4"H	24"D x 72"W	72"	50 lbs

### Chrome & Epoxy Wire Posts

Model	Shipping Size	Product Size	Height	Weight
WP-64(EP/CH)	25"W x 15"D x 7"H	14"D x 24"W	64"	15 lbs
WP-74(EP/CH)	37"W x 15"D x 7"H	14"D x 36"W	74"	17 lbs
WP-86(EP/CH)	49"W x 15"D x 7"H	14"D x 48"W	86"	20 lbs

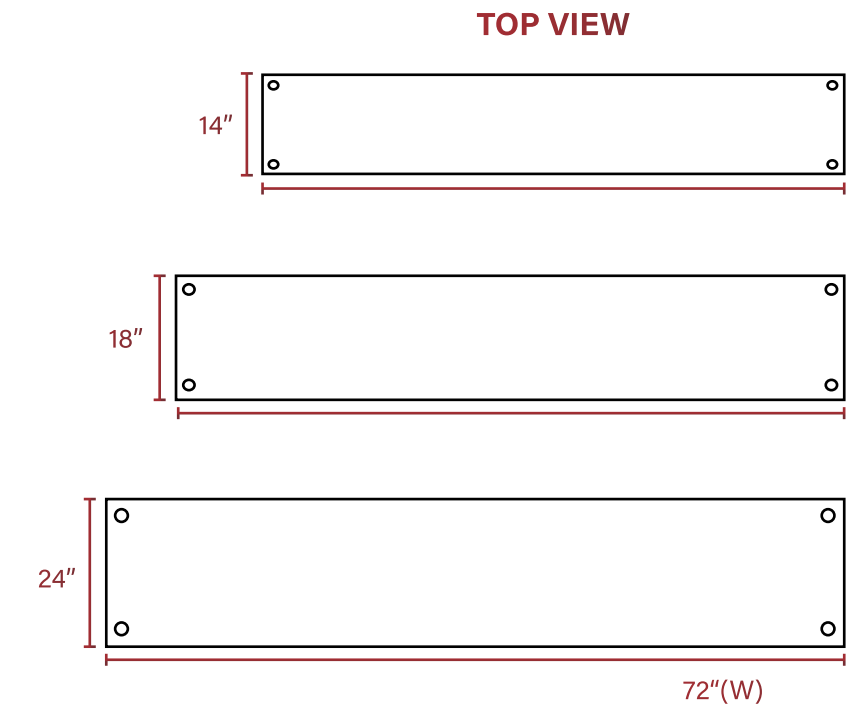




## 24" Chrome Wire Shelving & Posts

WS-2472CH

Size:	24"D x 72"W
Weight:	50 lbs
Width:	72 inches
Shipping Size:	73"W x 25"D x 4"H



## 24" Chrome Wire Shelving & Posts

### Features



- ✓ Provides long-lasting protection and extends shelf life.
- ✓ Ideal for showcasing and non-wet environments
- ✓ Suitable for various environments including coolers, freezers, and dry storage.
- ✓ Shelves up to 48" support 600 lbs; shelves 54" and longer support 400 lbs.
- ✓ Coverage against rust and corrosion for added peace of mind.
- ✓ Designed for quick and straightforward assembly without the need for tools.
- ✓ Shelves can be positioned at different heights to accommodate varying storage needs.
- ✓ All units are shipped unassembled to minimize shipping costs and packaging waste.
- ✓ Available in various sizes and configurations to fit specific storage requirements.

Height

### Chrome & Epoxy Wire Shelves

Model	EP = Epoxy CH = Chrome	Shipping Size	Product Size	Width	Weight
WS-1424	(EP/CH)	25"W x 15"D x 7"H	14"D x 24"W	24"	24 lbs
WS-1436	(EP/CH)	37"W x 15"D x 7"H	14"D x 36"W	36"	34 lbs
WS-1448	(EP/CH)	49"W x 15"D x 7"H	14"D x 48"W	48"	43 lbs
WS-1460	(EP/CH)	61"W x 15"D x 4"H	14"D x 60"W	60"	30 lbs
WS-1836	(EP/CH)	37"W x 19"D x 7"H	18"D x 36"W	36"	34 lbs
WS-1848	(EP/CH)	49"W x 19"D x 7"H	18"D x 48"W	48"	48 lbs
WS-1854	(EP/CH)	55"W x 19"D x 4"H	18"D x 54"W	54"	29 lbs
WS-1860	(EP/CH)	61"W x 19"D x 4"H	18"D x 60"W	60"	31 lbs
WS-1872	(EP/CH)	73"W x 19"D x 4"H	18"D x 72"W	72"	38 lbs
WS-2424	(EP/CH)	25"W x 25"D x 7"H	24"D x 24"W	24"	34 lbs
WS-2436	(EP/CH)	37"W x 25"D x 7"H	24"D x 36"W	36"	48 lbs
WS-2448	(EP/CH)	49"W x 25"D x 7"H	24"D x 48"W	48"	62 lbs
WS-2460	(EP/CH)	61"W x 25"D x 4"H	24"D x 60"W	60"	42 lbs
WS-2472	(EP/CH)	73"W x 25"D x 4"H	24"D x 72"W	72"	50 lbs

### Chrome & Epoxy Wire Posts

Model	EP = Epoxy CH = Chrome	Shipping Size	Product Size	Height	Weight
WP-64	(EP/CH)	25"W x 15"D x 7"H	14"D x 24"W	64"	15 lbs
WP-74	(EP/CH)	37"W x 15"D x 7"H	14"D x 36"W	74"	17 lbs
WP-86	(EP/CH)	49"W x 15"D x 7"H	14"D x 48"W	86"	20 lbs



# STAINLESS STEEL WORK TABLES

ICE AGE REFRIGERATION INC

121 McLean Drive, Vancouver BC, Canada

 If the data and structure update, without notice, subject to material object.



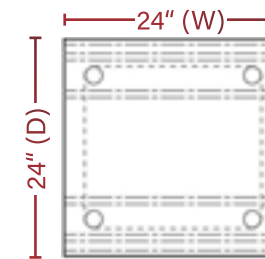
# Stainless Steel Work Table

## WTS-2424

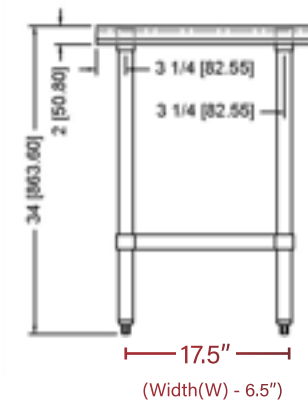
Size:	24" D x 24" W x 34" H
Weight	35 lbs
Width	24 inches
Shipping Size	26" L x 26" W x 3" H

**WTS-2424**  
Technical Drawing

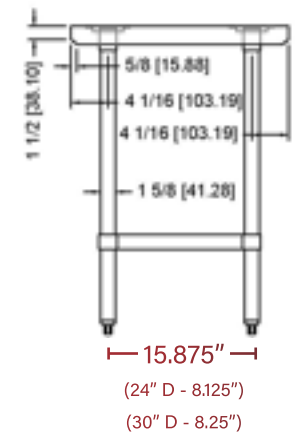
TOP VIEW



FRONT VIEW



SIDE VIEW



### Work Table, 24" x 24"

### Features



- ✓ Premium 18 Gauge Type 304 stainless steel for durability.
- ✓ TIG welding for the top.
- ✓ Entire top surface polished to a smooth satin finish.
- ✓ Built to surpass industry reinforcement standards.
- ✓ Galvanized hat channels attached with structural adhesive and weld studs.
- ✓ Gussets welded for hat section support.
- ✓ Edges are hemmed for added strength and safety.
- ✓ Worktables standard height is 34".
- ✓ Galvanized legs and undershelf offer durability and cost-effectiveness.
- ✓ Reinforced leg sockets made from die-cast for added stability.
- ✓ Leg diameter is 1 5/8".
- ✓ ABS bullet feet are adjustable to level on uneven floors.

Model	Shipping Demimensions	Product Size	Width	Weight
WTS-2424	26" L x 26" W x 3" H	24" D x 24" W x 34" H	24 inches	35 lbs
WTS-2430	32" L x 26" W x 3" H	24" D x 30" W x 34" H	30 inches	40 lbs
WTS-2436	38" L x 26" W x 3" H	24" D x 36" W x 34" H	36 inches	46 lbs
WTS-2448	50" L x 26" W x 3" H	24" D x 48" W x 34" H	48 inches	56 lbs
WTS-2460	62" L x 26" W x 3" H	24" D x 60" W x 34" H	60 inches	66 lbs
WTS-2472	74" L x 26" W x 3" H	24" D x 72" W x 34" H	72 inches	76 lbs
WTS-3015	32" L x 17" W x 3" H	30" D x 15" W x 34" H	30 inches	33 lbs
WTS-3024	32" L x 26" W x 3" H	30" D x 24" W x 34" H	30 inches	38 lbs
WTS-3030	32" L x 32" W x 3" H	30" D x 30" W x 34" H	30 inches	43 lbs
WTS-3036	38" L x 32" W x 3" H	30" D x 36" W x 34" H	36 inches	49 lbs
WTS-3048	50" L x 32" W x 3" H	30" D x 48" W x 34" H	48 inches	59 lbs
WTS-3060	62" L x 32" W x 3" H	30" D x 60" W x 34" H	60 inches	70 lbs
WTS-3072	74" L x 32" W x 3" H	30" D x 72" W x 34" H	72 inches	80 lbs





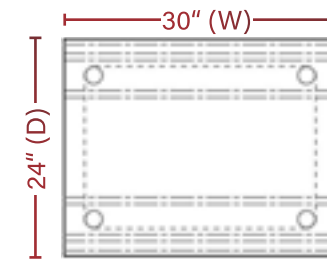
## Stainless Steel Work Table

### WTS-2430

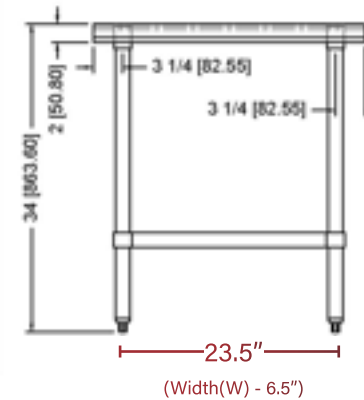
Size:	24" D x 30" W x 34" H
Weight	40 lbs
Width	30 inches
Shipping Size	32" L x 26" W x 3" H

**WTS-2430**  
Technical Drawing

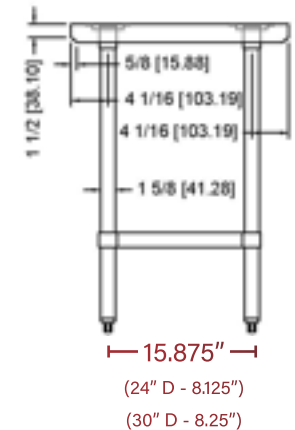
TOP VIEW



FRONT VIEW



SIDE VIEW



### Work Table, 24" x 30"

### Features



- ✓ Premium 18 Gauge Type 304 stainless steel for durability.
- ✓ TIG welding for the top.
- ✓ Entire top surface polished to a smooth satin finish.
- ✓ Built to surpass industry reinforcement standards.
- ✓ Galvanized hat channels attached with structural adhesive and weld studs.
- ✓ Gussets welded for hat section support.
- ✓ Edges are hemmed for added strength and safety.
- ✓ Worktables standard height is 34".
- ✓ Galvanized legs and undershelf offer durability and cost-effectiveness.
- ✓ Reinforced leg sockets made from die-cast for added stability.
- ✓ Leg diameter is 1 5/8".
- ✓ ABS bullet feet are adjustable to level on uneven floors.

Model	Shipping Demimensions	Product Size	Width	Weight
WTS-2424	26" L x 26" W x 3" H	24" D x 24" W x 34" H	24 inches	35 lbs
WTS-2430	32" L x 26" W x 3" H	24" D x 30" W x 34" H	30 inches	40 lbs
WTS-2436	38" L x 26" W x 3" H	24" D x 36" W x 34" H	36 inches	46 lbs
WTS-2448	50" L x 26" W x 3" H	24" D x 48" W x 34" H	48 inches	56 lbs
WTS-2460	62" L x 26" W x 3" H	24" D x 60" W x 34" H	60 inches	66 lbs
WTS-2472	74" L x 26" W x 3" H	24" D x 72" W x 34" H	72 inches	76 lbs
WTS-3015	32" L x 17" W x 3" H	30" D x 15" W x 34" H	30 inches	33 lbs
WTS-3024	32" L x 26" W x 3" H	30" D x 24" W x 34" H	30 inches	38 lbs
WTS-3030	32" L x 32" W x 3" H	30" D x 30" W x 34" H	30 inches	43 lbs
WTS-3036	38" L x 32" W x 3" H	30" D x 36" W x 34" H	36 inches	49 lbs
WTS-3048	50" L x 32" W x 3" H	30" D x 48" W x 34" H	48 inches	59 lbs
WTS-3060	62" L x 32" W x 3" H	30" D x 60" W x 34" H	60 inches	70 lbs
WTS-3072	74" L x 32" W x 3" H	30" D x 72" W x 34" H	72 inches	80 lbs

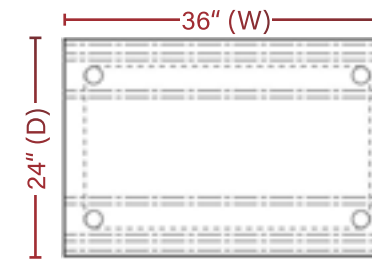


## Stainless Steel Work Table

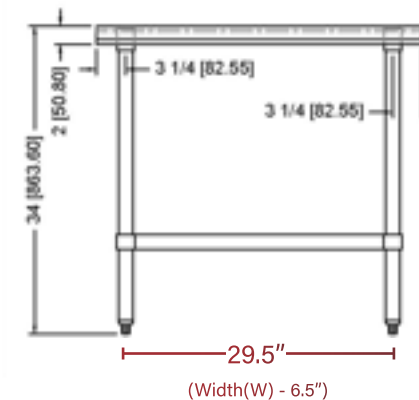
### WTS-2436

Size:	24" D x 36" W x 34" H
Weight	46 lbs
Width	36 inches
Shipping Size	38" L x 26" W x 3" H

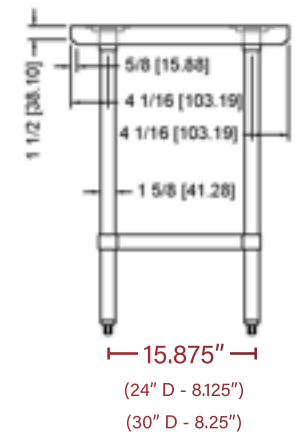
TOP VIEW



FRONT VIEW



SIDE VIEW



### Work Table, 24" x 36"

### Features



- ✓ Premium 18 Gauge Type 304 stainless steel for durability.
- ✓ TIG welding for the top.
- ✓ Entire top surface polished to a smooth satin finish.
- ✓ Built to surpass industry reinforcement standards.
- ✓ Galvanized hat channels attached with structural adhesive and weld studs.
- ✓ Gussets welded for hat section support.
- ✓ Edges are hemmed for added strength and safety.
- ✓ Worktables standard height is 34".
- ✓ Galvanized legs and undershelf offer durability and cost-effectiveness.
- ✓ Reinforced leg sockets made from die-cast for added stability.
- ✓ Leg diameter is 1 5/8".
- ✓ ABS bullet feet are adjustable to level on uneven floors.

Model	Shipping Demimensions	Product Size	Width	Weight
WTS-2424	26" L x 26" W x 3" H	24" D x 24" W x 34" H	24 inches	35 lbs
WTS-2430	32" L x 26" W x 3" H	24" D x 30" W x 34" H	30 inches	40 lbs
WTS-2436	38" L x 26" W x 3" H	24" D x 36" W x 34" H	36 inches	46 lbs
WTS-2448	50" L x 26" W x 3" H	24" D x 48" W x 34" H	48 inches	56 lbs
WTS-2460	62" L x 26" W x 3" H	24" D x 60" W x 34" H	60 inches	66 lbs
WTS-2472	74" L x 26" W x 3" H	24" D x 72" W x 34" H	72 inches	76 lbs
WTS-3015	32" L x 17" W x 3" H	30" D x 15" W x 34" H	30 inches	33 lbs
WTS-3024	32" L x 26" W x 3" H	30" D x 24" W x 34" H	30 inches	38 lbs
WTS-3030	32" L x 32" W x 3" H	30" D x 30" W x 34" H	30 inches	43 lbs
WTS-3036	38" L x 32" W x 3" H	30" D x 36" W x 34" H	36 inches	49 lbs
WTS-3048	50" L x 32" W x 3" H	30" D x 48" W x 34" H	48 inches	59 lbs
WTS-3060	62" L x 32" W x 3" H	30" D x 60" W x 34" H	60 inches	70 lbs
WTS-3072	74" L x 32" W x 3" H	30" D x 72" W x 34" H	72 inches	80 lbs



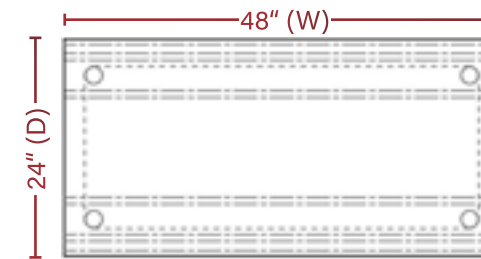
## Stainless Steel Work Table

### WTS-2448

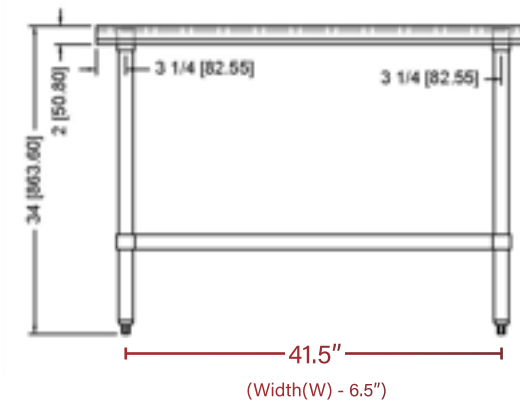
Size:	24" D x 48" W x 34" H
Weight	56 lbs
Width	48 inches
Shipping Size	50" L x 26" W x 3" H

**WTS-2448**  
Technical Drawing

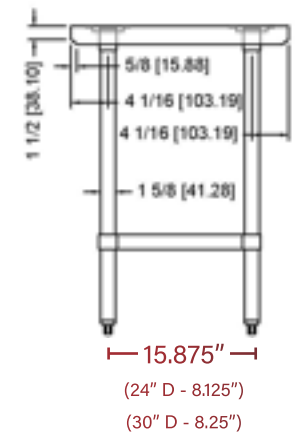
TOP VIEW



FRONT VIEW



SIDE VIEW



### Work Table, 24" x 48"

### Features



- ✓ Premium 18 Gauge Type 304 stainless steel for durability.
- ✓ TIG welding for the top.
- ✓ Entire top surface polished to a smooth satin finish.
- ✓ Built to surpass industry reinforcement standards.
- ✓ Galvanized hat channels attached with structural adhesive and weld studs.
- ✓ Gussets welded for hat section support.
- ✓ Edges are hemmed for added strength and safety.
- ✓ Worktables standard height is 34".
- ✓ Galvanized legs and undershelf offer durability and cost-effectiveness.
- ✓ Reinforced leg sockets made from die-cast for added stability.
- ✓ Leg diameter is 1 5/8".
- ✓ ABS bullet feet are adjustable to level on uneven floors.

Model	Shipping Demimensions	Product Size	Width	Weight
WTS-2424	26" L x 26" W x 3" H	24" D x 24" W x 34" H	24 inches	35 lbs
WTS-2430	32" L x 26" W x 3" H	24" D x 30" W x 34" H	30 inches	40 lbs
WTS-2436	38" L x 26" W x 3" H	24" D x 36" W x 34" H	36 inches	46 lbs
WTS-2448	50" L x 26" W x 3" H	24" D x 48" W x 34" H	48 inches	56 lbs
WTS-2460	62" L x 26" W x 3" H	24" D x 60" W x 34" H	60 inches	66 lbs
WTS-2472	74" L x 26" W x 3" H	24" D x 72" W x 34" H	72 inches	76 lbs
WTS-3015	32" L x 17" W x 3" H	30" D x 15" W x 34" H	30 inches	33 lbs
WTS-3024	32" L x 26" W x 3" H	30" D x 24" W x 34" H	30 inches	38 lbs
WTS-3030	32" L x 32" W x 3" H	30" D x 30" W x 34" H	30 inches	43 lbs
WTS-3036	38" L x 32" W x 3" H	30" D x 36" W x 34" H	36 inches	49 lbs
WTS-3048	50" L x 32" W x 3" H	30" D x 48" W x 34" H	48 inches	59 lbs
WTS-3060	62" L x 32" W x 3" H	30" D x 60" W x 34" H	60 inches	70 lbs
WTS-3072	74" L x 32" W x 3" H	30" D x 72" W x 34" H	72 inches	80 lbs





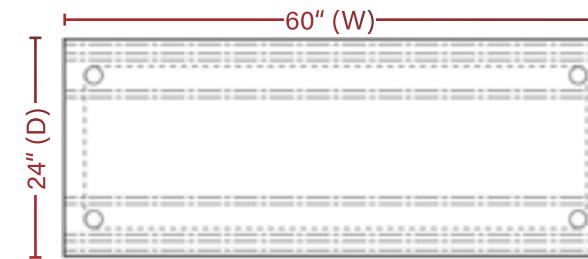
## Stainless Steel Work Table

### WTS-2460

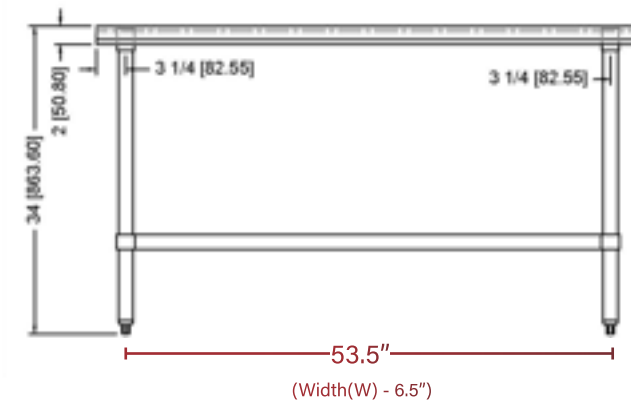
Size:	24" D x 60" W x 34" H
Weight	66 lbs
Width	60 inches
Shipping Size	62" L x 26" W x 3" H

### WTS-2460 Technical Drawing

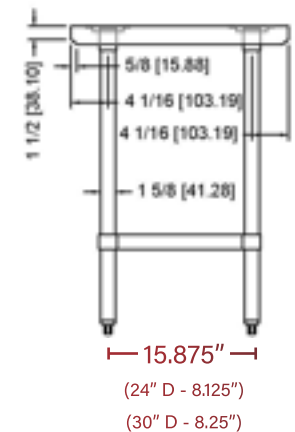
TOP VIEW



FRONT VIEW



SIDE VIEW



### Work Table, 24" x 60"

### Features



- ✓ Premium 18 Gauge Type 304 stainless steel for durability.
- ✓ TIG welding for the top.
- ✓ Entire top surface polished to a smooth satin finish.
- ✓ Built to surpass industry reinforcement standards.
- ✓ Galvanized hat channels attached with structural adhesive and weld studs.
- ✓ Gussets welded for hat section support.
- ✓ Edges are hemmed for added strength and safety.
- ✓ Worktables standard height is 34".
- ✓ Galvanized legs and undershelf offer durability and cost-effectiveness.
- ✓ Reinforced leg sockets made from die-cast for added stability.
- ✓ Leg diameter is 1 5/8".
- ✓ ABS bullet feet are adjustable to level on uneven floors.

Model	Shipping Demimensions	Product Size	Width	Weight
WTS-2424	26" L x 26" W x 3" H	24" D x 24" W x 34" H	24 inches	35 lbs
WTS-2430	32" L x 26" W x 3" H	24" D x 30" W x 34" H	30 inches	40 lbs
WTS-2436	38" L x 26" W x 3" H	24" D x 36" W x 34" H	36 inches	46 lbs
WTS-2448	50" L x 26" W x 3" H	24" D x 48" W x 34" H	48 inches	56 lbs
WTS-2460	62" L x 26" W x 3" H	24" D x 60" W x 34" H	60 inches	66 lbs
WTS-2472	74" L x 26" W x 3" H	24" D x 72" W x 34" H	72 inches	76 lbs
WTS-3015	32" L x 17" W x 3" H	30" D x 15" W x 34" H	30 inches	33 lbs
WTS-3024	32" L x 26" W x 3" H	30" D x 24" W x 34" H	30 inches	38 lbs
WTS-3030	32" L x 32" W x 3" H	30" D x 30" W x 34" H	30 inches	43 lbs
WTS-3036	38" L x 32" W x 3" H	30" D x 36" W x 34" H	36 inches	49 lbs
WTS-3048	50" L x 32" W x 3" H	30" D x 48" W x 34" H	48 inches	59 lbs
WTS-3060	62" L x 32" W x 3" H	30" D x 60" W x 34" H	60 inches	70 lbs
WTS-3072	74" L x 32" W x 3" H	30" D x 72" W x 34" H	72 inches	80 lbs



## Stainless Steel Work Table

### WTS-2472

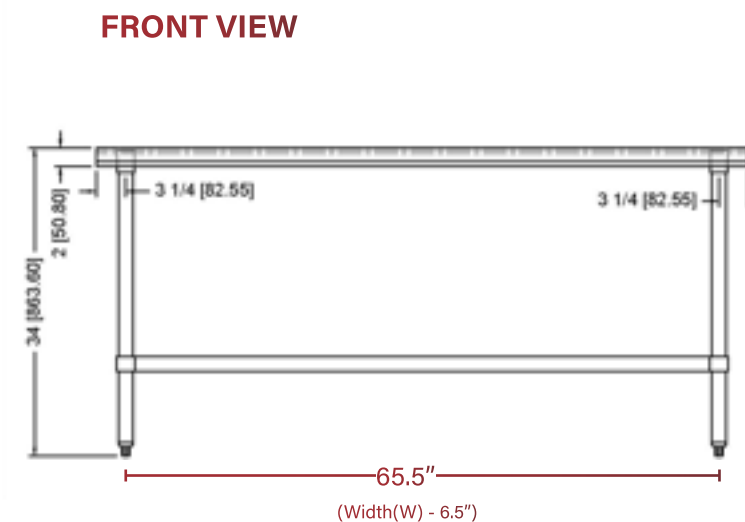
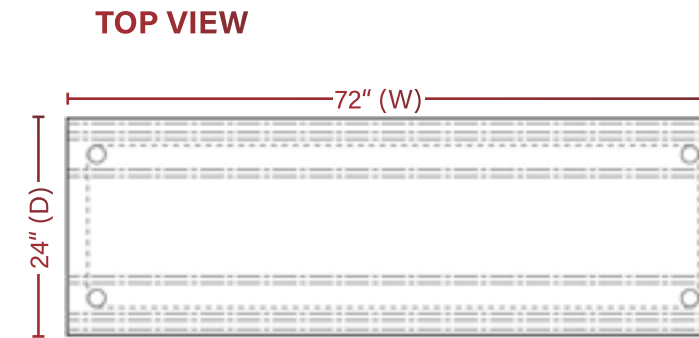
Size:	24" D x 72" W x 34" H
Weight	76 lbs
Width	72 inches
Shipping Size	74" L x 26" W x 3" H

### Work Table, 24" x 72"

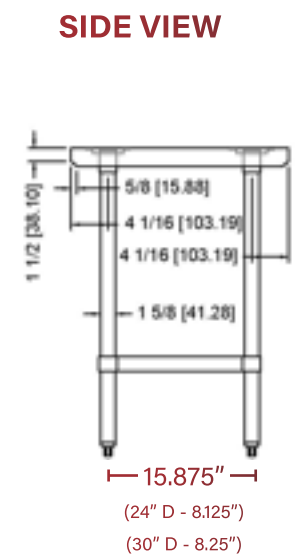
### Features



- ✓ Premium 18 Gauge Type 304 stainless steel for durability.
- ✓ TIG welding for the top.
- ✓ Entire top surface polished to a smooth satin finish.
- ✓ Built to surpass industry reinforcement standards.
- ✓ Galvanized hat channels attached with structural adhesive and weld studs.
- ✓ Gussets welded for hat section support.
- ✓ Edges are hemmed for added strength and safety.
- ✓ Worktables standard height is 34".
- ✓ Galvanized legs and undershelf offer durability and cost-effectiveness.
- ✓ Reinforced leg sockets made from die-cast for added stability.
- ✓ Leg diameter is 1 5/8".
- ✓ ABS bullet feet are adjustable to level on uneven floors.



### WTS-2472 Technical Drawing



Model	Shipping Demimensions	Product Size	Width	Weight
WTS-2424	26" L x 26" W x 3" H	24" D x 24" W x 34" H	24 inches	35 lbs
WTS-2430	32" L x 26" W x 3" H	24" D x 30" W x 34" H	30 inches	40 lbs
WTS-2436	38" L x 26" W x 3" H	24" D x 36" W x 34" H	36 inches	46 lbs
WTS-2448	50" L x 26" W x 3" H	24" D x 48" W x 34" H	48 inches	56 lbs
WTS-2460	62" L x 26" W x 3" H	24" D x 60" W x 34" H	60 inches	66 lbs
WTS-2472	74" L x 26" W x 3" H	24" D x 72" W x 34" H	72 inches	76 lbs
WTS-3015	32" L x 17" W x 3" H	30" D x 15" W x 34" H	30 inches	33 lbs
WTS-3024	32" L x 26" W x 3" H	30" D x 24" W x 34" H	30 inches	38 lbs
WTS-3030	32" L x 32" W x 3" H	30" D x 30" W x 34" H	30 inches	43 lbs
WTS-3036	38" L x 32" W x 3" H	30" D x 36" W x 34" H	36 inches	49 lbs
WTS-3048	50" L x 32" W x 3" H	30" D x 48" W x 34" H	48 inches	59 lbs
WTS-3060	62" L x 32" W x 3" H	30" D x 60" W x 34" H	60 inches	70 lbs
WTS-3072	74" L x 32" W x 3" H	30" D x 72" W x 34" H	72 inches	80 lbs

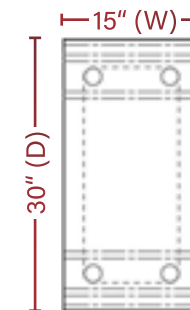


## Stainless Steel Work Table

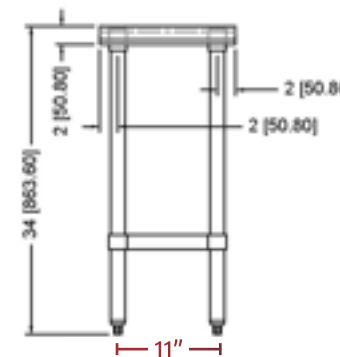
### WTS-3015

Size:	30" D x 15" W x 34" H
Weight	33 lbs
Width	15 inches
Shipping Size	32" L x 17" W x 3" H

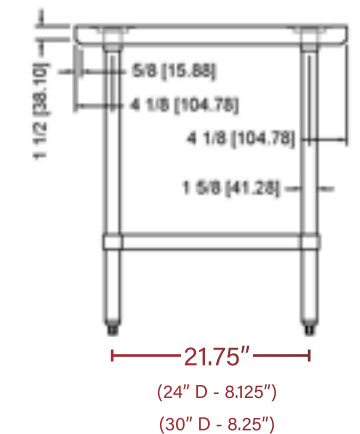
TOP VIEW



FRONT VIEW



SIDE VIEW



### Work Table, 30" x 15"

### Features



- ✓ Premium 18 Gauge Type 304 stainless steel for durability.
- ✓ TIG welding for the top.
- ✓ Entire top surface polished to a smooth satin finish.
- ✓ Built to surpass industry reinforcement standards.
- ✓ Galvanized hat channels attached with structural adhesive and weld studs.
- ✓ Gussets welded for hat section support.
- ✓ Edges are hemmed for added strength and safety.
- ✓ Worktables standard height is 34".
- ✓ Galvanized legs and undershelf offer durability and cost-effectiveness.
- ✓ Reinforced leg sockets made from die-cast for added stability.
- ✓ Leg diameter is 1 5/8".
- ✓ ABS bullet feet are adjustable to level on uneven floors.

Model	Shipping Demimensions	Product Size	Width	Weight
WTS-2424	26" L x 26" W x 3" H	24" D x 24" W x 34" H	24 inches	35 lbs
WTS-2430	32" L x 26" W x 3" H	24" D x 30" W x 34" H	30 inches	40 lbs
WTS-2436	38" L x 26" W x 3" H	24" D x 36" W x 34" H	36 inches	46 lbs
WTS-2448	50" L x 26" W x 3" H	24" D x 48" W x 34" H	48 inches	56 lbs
WTS-2460	62" L x 26" W x 3" H	24" D x 60" W x 34" H	60 inches	66 lbs
WTS-2472	74" L x 26" W x 3" H	24" D x 72" W x 34" H	72 inches	76 lbs
WTS-3015	32" L x 17" W x 3" H	30" D x 15" W x 34" H	30 inches	33 lbs
WTS-3024	32" L x 26" W x 3" H	30" D x 24" W x 34" H	30 inches	38 lbs
WTS-3030	32" L x 32" W x 3" H	30" D x 30" W x 34" H	30 inches	43 lbs
WTS-3036	38" L x 32" W x 3" H	30" D x 36" W x 34" H	36 inches	49 lbs
WTS-3048	50" L x 32" W x 3" H	30" D x 48" W x 34" H	48 inches	59 lbs
WTS-3060	62" L x 32" W x 3" H	30" D x 60" W x 34" H	60 inches	70 lbs
WTS-3072	74" L x 32" W x 3" H	30" D x 72" W x 34" H	72 inches	80 lbs



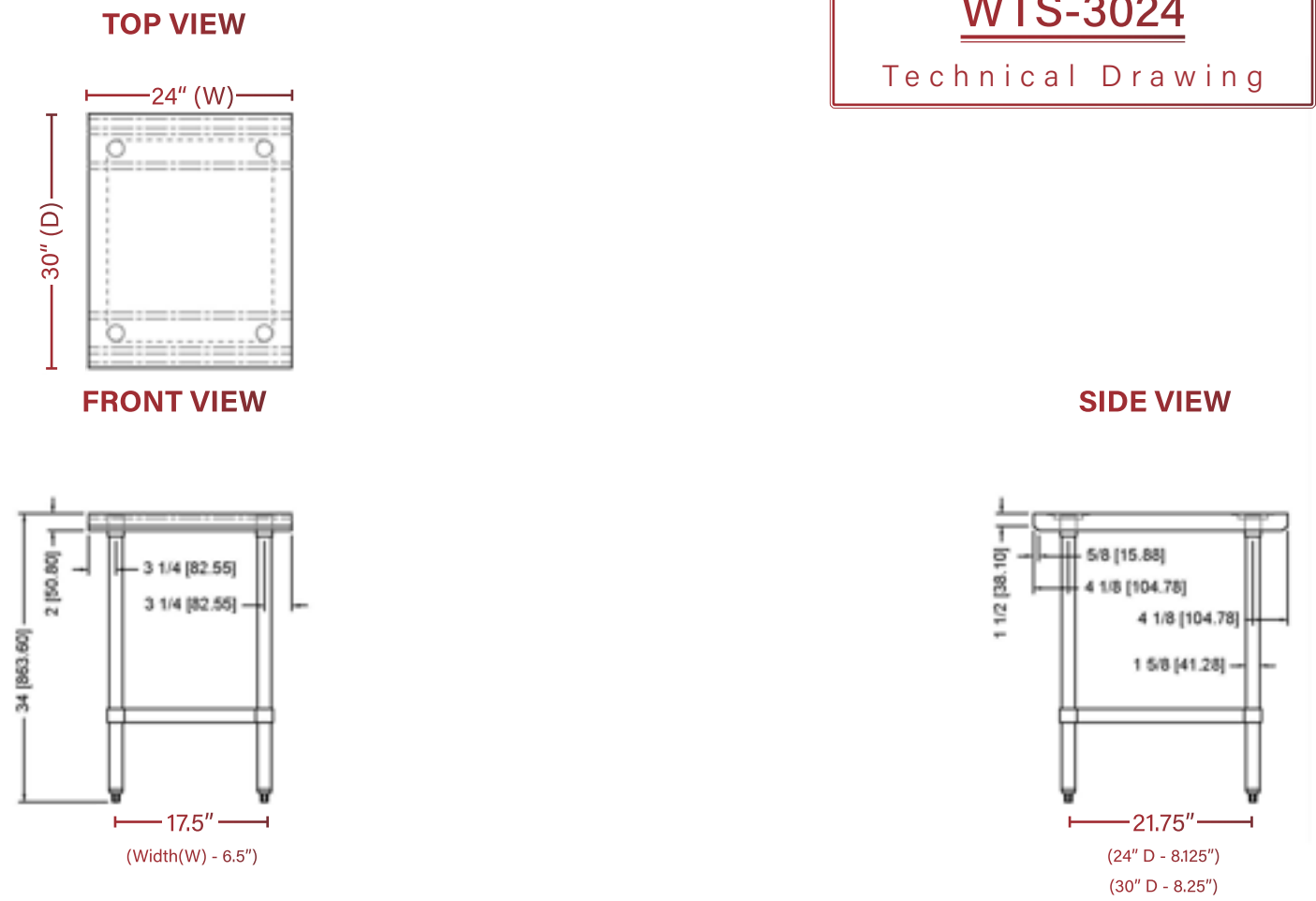


# Stainless Steel Work Table

## WTS-3024

Size:	30" D x 24" W x 34" H
Weight	38 lbs
Width	24 inches
Shipping Size	32" L x 26" W x 3" H

**WTS-3024**  
Technical Drawing



### Work Table, 30" x 24"

### Features



- ✓ Premium 18 Gauge Type 304 stainless steel for durability.
- ✓ TIG welding for the top.
- ✓ Entire top surface polished to a smooth satin finish.
- ✓ Built to surpass industry reinforcement standards.
- ✓ Galvanized hat channels attached with structural adhesive and weld studs.
- ✓ Gussets welded for hat section support.
- ✓ Edges are hemmed for added strength and safety.
- ✓ Worktables standard height is 34".
- ✓ Galvanized legs and undershelf offer durability and cost-effectiveness.
- ✓ Reinforced leg sockets made from die-cast for added stability.
- ✓ Leg diameter is 1 5/8".
- ✓ ABS bullet feet are adjustable to level on uneven floors.

Model	Shipping Demimensions	Product Size	Width	Weight
WTS-2424	26" L x 26" W x 3" H	24" D x 24" W x 34" H	24 inches	35 lbs
WTS-2430	32" L x 26" W x 3" H	24" D x 30" W x 34" H	30 inches	40 lbs
WTS-2436	38" L x 26" W x 3" H	24" D x 36" W x 34" H	36 inches	46 lbs
WTS-2448	50" L x 26" W x 3" H	24" D x 48" W x 34" H	48 inches	56 lbs
WTS-2460	62" L x 26" W x 3" H	24" D x 60" W x 34" H	60 inches	66 lbs
WTS-2472	74" L x 26" W x 3" H	24" D x 72" W x 34" H	72 inches	76 lbs
WTS-3015	32" L x 17" W x 3" H	30" D x 15" W x 34" H	30 inches	33 lbs
WTS-3024	32" L x 26" W x 3" H	30" D x 24" W x 34" H	30 inches	38 lbs
WTS-3030	32" L x 32" W x 3" H	30" D x 30" W x 34" H	30 inches	43 lbs
WTS-3036	38" L x 32" W x 3" H	30" D x 36" W x 34" H	36 inches	49 lbs
WTS-3048	50" L x 32" W x 3" H	30" D x 48" W x 34" H	48 inches	59 lbs
WTS-3060	62" L x 32" W x 3" H	30" D x 60" W x 34" H	60 inches	70 lbs
WTS-3072	74" L x 32" W x 3" H	30" D x 72" W x 34" H	72 inches	80 lbs

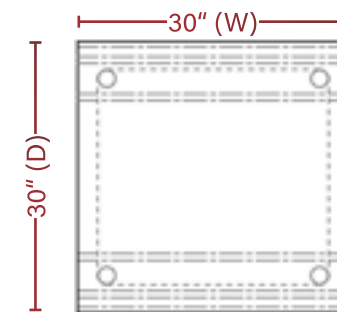


## Stainless Steel Work Table

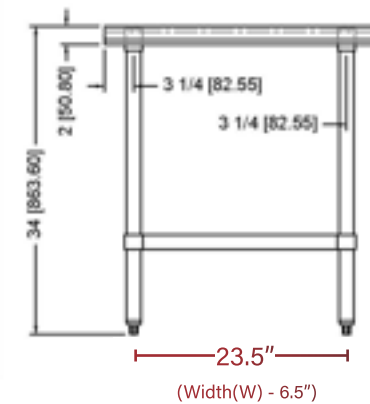
### WTS-3030

Size:	30" D x 30" W x 34" H
Weight	43 lbs
Width	30 inches
Shipping Size	32" L x 32" W x 3" H

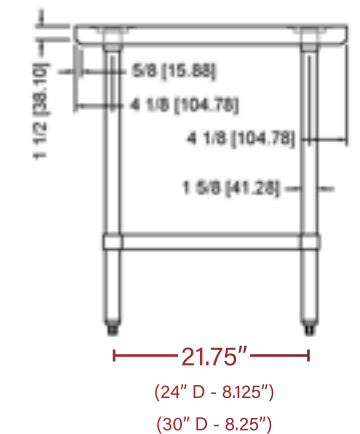
TOP VIEW



FRONT VIEW



SIDE VIEW



### Work Table, 30" x 30"

### Features



- ✓ Premium 18 Gauge Type 304 stainless steel for durability.
- ✓ TIG welding for the top.
- ✓ Entire top surface polished to a smooth satin finish.
- ✓ Built to surpass industry reinforcement standards.
- ✓ Galvanized hat channels attached with structural adhesive and weld studs.
- ✓ Gussets welded for hat section support.
- ✓ Edges are hemmed for added strength and safety.
- ✓ Worktables standard height is 34".
- ✓ Galvanized legs and undershelf offer durability and cost-effectiveness.
- ✓ Reinforced leg sockets made from die-cast for added stability.
- ✓ Leg diameter is 1 5/8".
- ✓ ABS bullet feet are adjustable to level on uneven floors.

Model	Shipping Demimensions	Product Size	Width	Weight
WTS-2424	26" L x 26" W x 3" H	24" D x 24" W x 34" H	24 inches	35 lbs
WTS-2430	32" L x 26" W x 3" H	24" D x 30" W x 34" H	30 inches	40 lbs
WTS-2436	38" L x 26" W x 3" H	24" D x 36" W x 34" H	36 inches	46 lbs
WTS-2448	50" L x 26" W x 3" H	24" D x 48" W x 34" H	48 inches	56 lbs
WTS-2460	62" L x 26" W x 3" H	24" D x 60" W x 34" H	60 inches	66 lbs
WTS-2472	74" L x 26" W x 3" H	24" D x 72" W x 34" H	72 inches	76 lbs
WTS-3015	32" L x 17" W x 3" H	30" D x 15" W x 34" H	30 inches	33 lbs
WTS-3024	32" L x 26" W x 3" H	30" D x 24" W x 34" H	30 inches	38 lbs
WTS-3030	32" L x 32" W x 3" H	30" D x 30" W x 34" H	30 inches	43 lbs
WTS-3036	38" L x 32" W x 3" H	30" D x 36" W x 34" H	36 inches	49 lbs
WTS-3048	50" L x 32" W x 3" H	30" D x 48" W x 34" H	48 inches	59 lbs
WTS-3060	62" L x 32" W x 3" H	30" D x 60" W x 34" H	60 inches	70 lbs
WTS-3072	74" L x 32" W x 3" H	30" D x 72" W x 34" H	72 inches	80 lbs

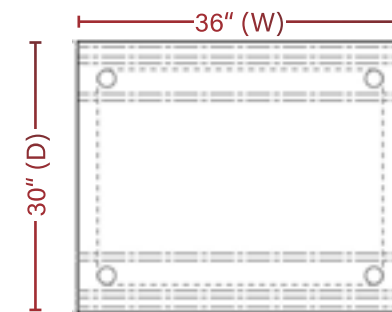


## Stainless Steel Work Table

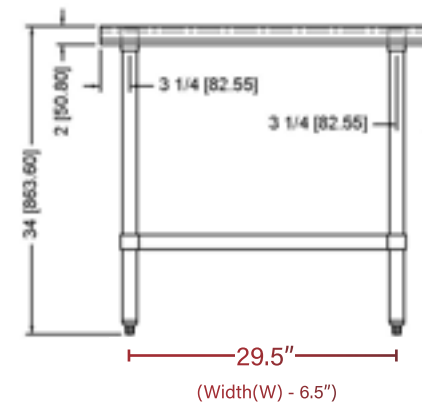
### WTS-3036

Size:	30" D x 36" W x 34" H
Weight	49 lbs
Width	36 inches
Shipping Size	38" L x 32" W x 3" H

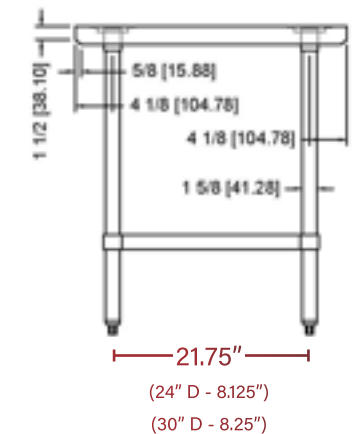
TOP VIEW



FRONT VIEW



SIDE VIEW



**WTS-3036**  
Technical Drawing

### Work Table, 30" x 36"

### Features



- ✓ Premium 18 Gauge Type 304 stainless steel for durability.
- ✓ TIG welding for the top.
- ✓ Entire top surface polished to a smooth satin finish.
- ✓ Built to surpass industry reinforcement standards.
- ✓ Galvanized hat channels attached with structural adhesive and weld studs.
- ✓ Gussets welded for hat section support.
- ✓ Edges are hemmed for added strength and safety.
- ✓ Worktables standard height is 34".
- ✓ Galvanized legs and undershelf offer durability and cost-effectiveness.
- ✓ Reinforced leg sockets made from die-cast for added stability.
- ✓ Leg diameter is 1 5/8".
- ✓ ABS bullet feet are adjustable to level on uneven floors.

Model	Shipping Demimensions	Product Size	Width	Weight
WTS-2424	26" L x 26" W x 3" H	24" D x 24" W x 34" H	24 inches	35 lbs
WTS-2430	32" L x 26" W x 3" H	24" D x 30" W x 34" H	30 inches	40 lbs
WTS-2436	38" L x 26" W x 3" H	24" D x 36" W x 34" H	36 inches	46 lbs
WTS-2448	50" L x 26" W x 3" H	24" D x 48" W x 34" H	48 inches	56 lbs
WTS-2460	62" L x 26" W x 3" H	24" D x 60" W x 34" H	60 inches	66 lbs
WTS-2472	74" L x 26" W x 3" H	24" D x 72" W x 34" H	72 inches	76 lbs
WTS-3015	32" L x 17" W x 3" H	30" D x 15" W x 34" H	30 inches	33 lbs
WTS-3024	32" L x 26" W x 3" H	30" D x 24" W x 34" H	30 inches	38 lbs
WTS-3030	32" L x 32" W x 3" H	30" D x 30" W x 34" H	30 inches	43 lbs
WTS-3036	38" L x 32" W x 3" H	30" D x 36" W x 34" H	36 inches	49 lbs
WTS-3048	50" L x 32" W x 3" H	30" D x 48" W x 34" H	48 inches	59 lbs
WTS-3060	62" L x 32" W x 3" H	30" D x 60" W x 34" H	60 inches	70 lbs
WTS-3072	74" L x 32" W x 3" H	30" D x 72" W x 34" H	72 inches	80 lbs



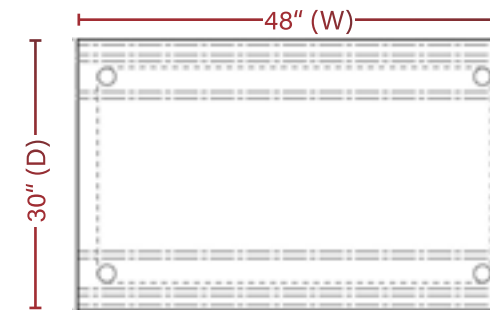


## Stainless Steel Work Table

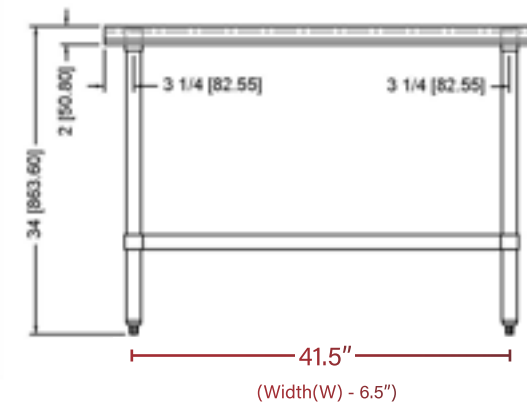
### WTS-3048

Size:	30" D x 48" W x 34" H
Weight	59 lbs
Width	48 inches
Shipping Size	50" L x 32" W x 3" H

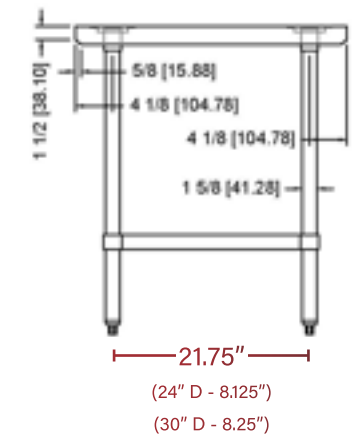
TOP VIEW



FRONT VIEW



SIDE VIEW



**WTS-3048**  
Technical Drawing

### Work Table, 30" x 48"

### Features



- ✓ Premium 18 Gauge Type 304 stainless steel for durability.
- ✓ TIG welding for the top.
- ✓ Entire top surface polished to a smooth satin finish.
- ✓ Built to surpass industry reinforcement standards.
- ✓ Galvanized hat channels attached with structural adhesive and weld studs.
- ✓ Gussets welded for hat section support.
- ✓ Edges are hemmed for added strength and safety.
- ✓ Worktables standard height is 34".
- ✓ Galvanized legs and undershelf offer durability and cost-effectiveness.
- ✓ Reinforced leg sockets made from die-cast for added stability.
- ✓ Leg diameter is 1 5/8".
- ✓ ABS bullet feet are adjustable to level on uneven floors.

Model	Shipping Demimensions	Product Size	Width	Weight
WTS-2424	26" L x 26" W x 3" H	24" D x 24" W x 34" H	24 inches	35 lbs
WTS-2430	32" L x 26" W x 3" H	24" D x 30" W x 34" H	30 inches	40 lbs
WTS-2436	38" L x 26" W x 3" H	24" D x 36" W x 34" H	36 inches	46 lbs
WTS-2448	50" L x 26" W x 3" H	24" D x 48" W x 34" H	48 inches	56 lbs
WTS-2460	62" L x 26" W x 3" H	24" D x 60" W x 34" H	60 inches	66 lbs
WTS-2472	74" L x 26" W x 3" H	24" D x 72" W x 34" H	72 inches	76 lbs
WTS-3015	32" L x 17" W x 3" H	30" D x 15" W x 34" H	30 inches	33 lbs
WTS-3024	32" L x 26" W x 3" H	30" D x 24" W x 34" H	30 inches	38 lbs
WTS-3030	32" L x 32" W x 3" H	30" D x 30" W x 34" H	30 inches	43 lbs
WTS-3036	38" L x 32" W x 3" H	30" D x 36" W x 34" H	36 inches	49 lbs
WTS-3048	50" L x 32" W x 3" H	30" D x 48" W x 34" H	48 inches	59 lbs
WTS-3060	62" L x 32" W x 3" H	30" D x 60" W x 34" H	60 inches	70 lbs
WTS-3072	74" L x 32" W x 3" H	30" D x 72" W x 34" H	72 inches	80 lbs



## Stainless Steel Work Table

### WTS-3060

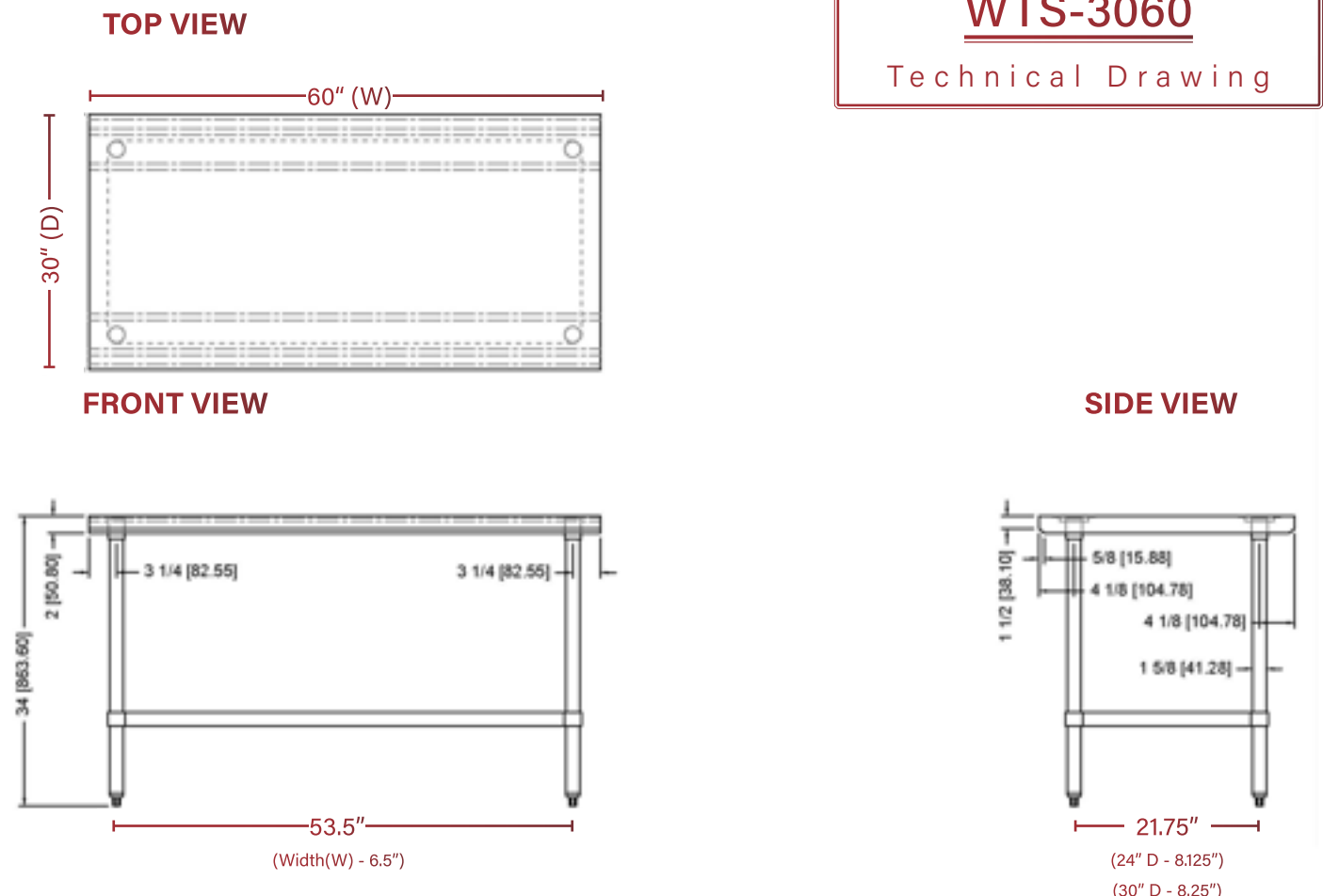
Size:	30" D x 60" W x 34" H
Weight	70 lbs
Width	60 inches
Shipping Size	62" L x 32" W x 3" H

### Work Table, 30" x 60"

### Features



- ✓ Premium 18 Gauge Type 304 stainless steel for durability.
- ✓ TIG welding for the top.
- ✓ Entire top surface polished to a smooth satin finish.
- ✓ Built to surpass industry reinforcement standards.
- ✓ Galvanized hat channels attached with structural adhesive and weld studs.
- ✓ Gussets welded for hat section support.
- ✓ Edges are hemmed for added strength and safety.
- ✓ Worktables standard height is 34".
- ✓ Galvanized legs and undershelf offer durability and cost-effectiveness.
- ✓ Reinforced leg sockets made from die-cast for added stability.
- ✓ Leg diameter is 1 5/8".
- ✓ ABS bullet feet are adjustable to level on uneven floors.



**WTS-3060**  
Technical Drawing

Model	Shipping Demimensions	Product Size	Width	Weight
WTS-2424	26" L x 26" W x 3" H	24" D x 24" W x 34" H	24 inches	35 lbs
WTS-2430	32" L x 26" W x 3" H	24" D x 30" W x 34" H	30 inches	40 lbs
WTS-2436	38" L x 26" W x 3" H	24" D x 36" W x 34" H	36 inches	46 lbs
WTS-2448	50" L x 26" W x 3" H	24" D x 48" W x 34" H	48 inches	56 lbs
WTS-2460	62" L x 26" W x 3" H	24" D x 60" W x 34" H	60 inches	66 lbs
WTS-2472	74" L x 26" W x 3" H	24" D x 72" W x 34" H	72 inches	76 lbs
WTS-3015	32" L x 17" W x 3" H	30" D x 15" W x 34" H	30 inches	33 lbs
WTS-3024	32" L x 26" W x 3" H	30" D x 24" W x 34" H	30 inches	38 lbs
WTS-3030	32" L x 32" W x 3" H	30" D x 30" W x 34" H	30 inches	43 lbs
WTS-3036	38" L x 32" W x 3" H	30" D x 36" W x 34" H	36 inches	49 lbs
WTS-3048	50" L x 32" W x 3" H	30" D x 48" W x 34" H	48 inches	59 lbs
WTS-3060	62" L x 32" W x 3" H	30" D x 60" W x 34" H	60 inches	70 lbs
WTS-3072	74" L x 32" W x 3" H	30" D x 72" W x 34" H	72 inches	80 lbs



## Stainless Steel Work Table

### WTS-3072

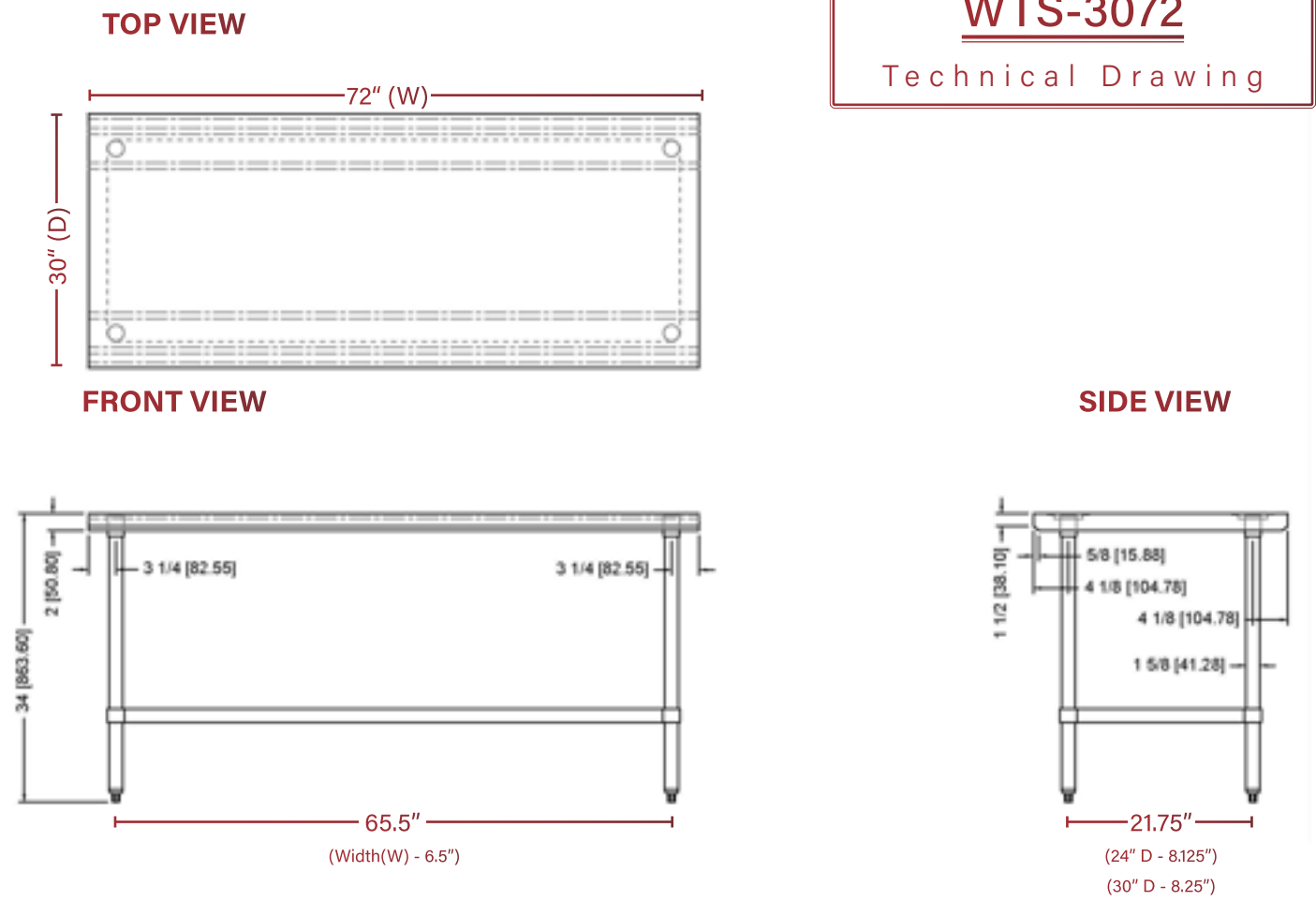
Size:	30" D x 72" W x 34" H
Weight	80 lbs
Width	72 inches
Shipping Size	74" L x 32" W x 3" H

### Work Table, 30" x 72"

### Features



- Premium 18 Gauge Type 304 stainless steel for durability.
- TIG welding for the top.
- Entire top surface polished to a smooth satin finish.
- Built to surpass industry reinforcement standards.
- Galvanized hat channels attached with structural adhesive and weld studs.
- Gussets welded for hat section support.
- Edges are hemmed for added strength and safety.
- Worktables standard height is 34".
- Galvanized legs and undershelf offer durability and cost-effectiveness.
- Reinforced leg sockets made from die-cast for added stability.
- Leg diameter is 1 5/8".
- ABS bullet feet are adjustable to level on uneven floors.



**WTS-3072**  
Technical Drawing

Model	Shipping Demimensions	Product Size	Width	Weight
WTS-2424	26" L x 26" W x 3" H	24" D x 24" W x 34" H	24 inches	35 lbs
WTS-2430	32" L x 26" W x 3" H	24" D x 30" W x 34" H	30 inches	40 lbs
WTS-2436	38" L x 26" W x 3" H	24" D x 36" W x 34" H	36 inches	46 lbs
WTS-2448	50" L x 26" W x 3" H	24" D x 48" W x 34" H	48 inches	56 lbs
WTS-2460	62" L x 26" W x 3" H	24" D x 60" W x 34" H	60 inches	66 lbs
WTS-2472	74" L x 26" W x 3" H	24" D x 72" W x 34" H	72 inches	76 lbs
WTS-3015	32" L x 17" W x 3" H	30" D x 15" W x 34" H	30 inches	33 lbs
WTS-3024	32" L x 26" W x 3" H	30" D x 24" W x 34" H	30 inches	38 lbs
WTS-3030	32" L x 32" W x 3" H	30" D x 30" W x 34" H	30 inches	43 lbs
WTS-3036	38" L x 32" W x 3" H	30" D x 36" W x 34" H	36 inches	49 lbs
WTS-3048	50" L x 32" W x 3" H	30" D x 48" W x 34" H	48 inches	59 lbs
WTS-3060	62" L x 32" W x 3" H	30" D x 60" W x 34" H	60 inches	70 lbs
WTS-3072	74" L x 32" W x 3" H	30" D x 72" W x 34" H	72 inches	80 lbs





# Stainless Steel Work Table

## WTS-2424-BK

Size:	24" D x 24" W x 34" H
Weight	38 lbs
Width	24 inches
Shipping Size	27" L x 24" W x 7" H

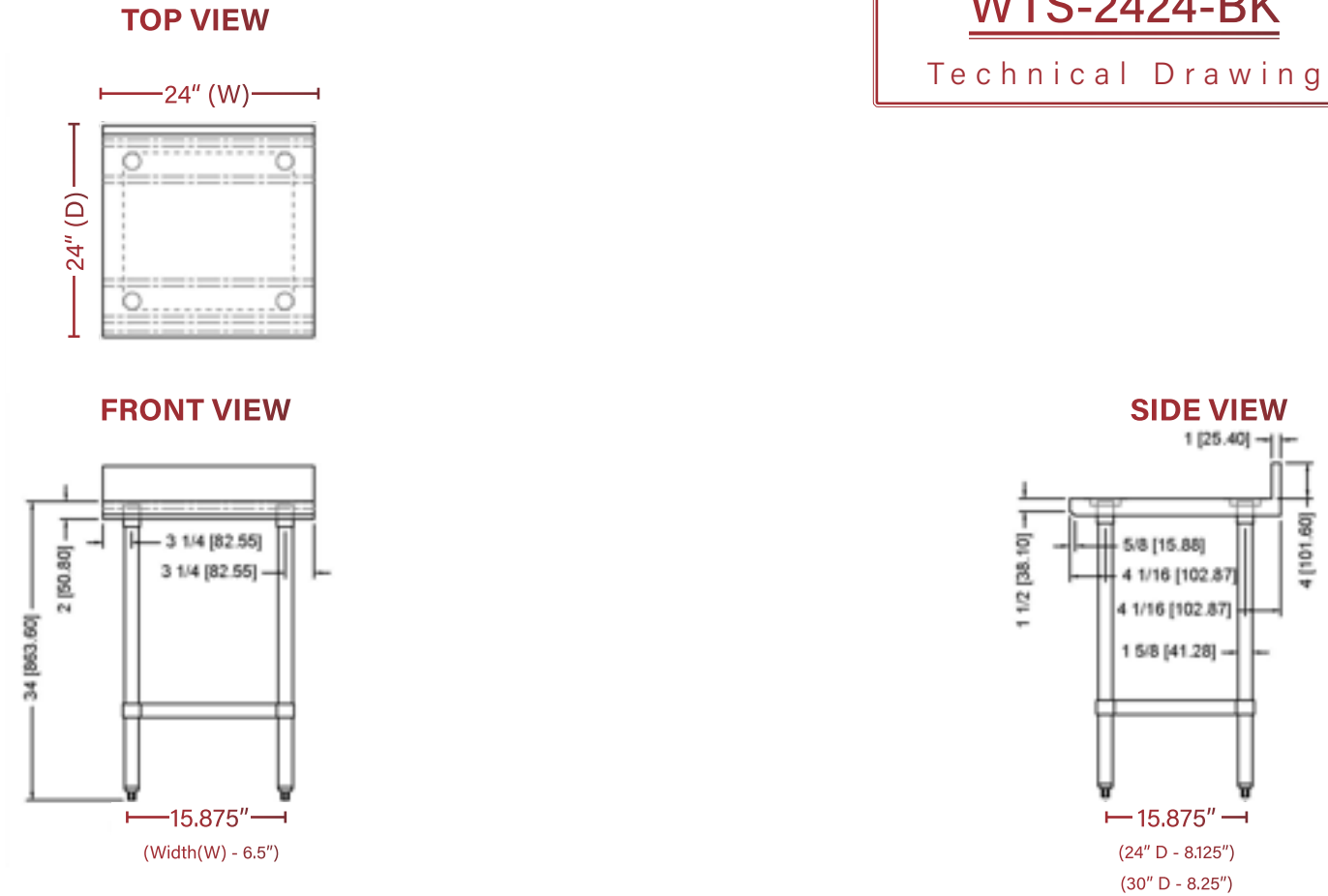
**WTS-2424-BK**  
Technical Drawing

### Work Table with Backsplash, 24"x24"

### Features



- ✓ Premium 18 Gauge Type 304 stainless steel for durability.
- ✓ TIG welding for the top.
- ✓ Entire top surface polished to a smooth satin finish.
- ✓ Built to surpass industry reinforcement standards.
- ✓ Galvanized hat channels attached with structural adhesive and weld studs.
- ✓ Gussets welded for hat section support.
- ✓ Edges are hemmed for added strength and safety.
- ✓ Worktables standard height is 34" with an additional 4" backsplash riser.
- ✓ Galvanized legs and undershelf offer durability and cost-effectiveness.
- ✓ Reinforced leg sockets made from die-cast for added stability.
- ✓ Leg diameter is 1 5/8".
- ✓ ABS bullet feet are adjustable to level on uneven floors.



Model	Shipping Demimensions	Product Size	Width	Weight
WTS-2424-BK	27" L x 24" W x 7" H	24" D x 24" W x 34" H	24 inches	38 lbs
WTS-2430-BK	32" L x 27" W x 7" H	24" D x 30" W x 37" H	30 inches	43 lbs
WTS-2436-BK	38" L x 27" W x 7" H	24" D x 36" W x 37" H	36 inches	49 lbs
WTS-2448-BK	50" L x 27" W x 7" H	24" D x 48" W x 37" H	48 inches	59 lbs
WTS-2460-BK	62" L x 27" W x 7" H	24" D x 60" W x 37" H	60 inches	70 lbs
WTS-2472-BK	74" L x 27" W x 7" H	24" D x 72" W x 37" H	72 inches	80 lbs
WTS-3024-BK	32" L x 27" W x 7" H	30" D x 24" W x 37" H	24 inches	43 lbs
WTS-3030-BK	33" L x 33" W x 7" H	30" D x 30" W x 37" H	30 inches	49 lbs
WTS-3036-BK	38" L x 33" W x 7" H	30" D x 36" W x 37" H	36 inches	55 lbs
WTS-3048-BK	50" L x 33" W x 7" H	30" D x 48" W x 37" H	48 inches	67 lbs
WTS-3060-BK	62" L x 33" W x 7" H	30" D x 60" W x 37" H	60 inches	79 lbs
WTS-3072-BK	74" L x 33" W x 7" H	30" D x 72" W x 37" H	72 inches	92 lbs



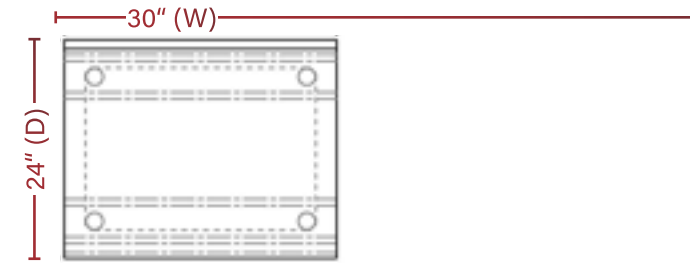
# Stainless Steel Work Table

## WTS-2430-BK

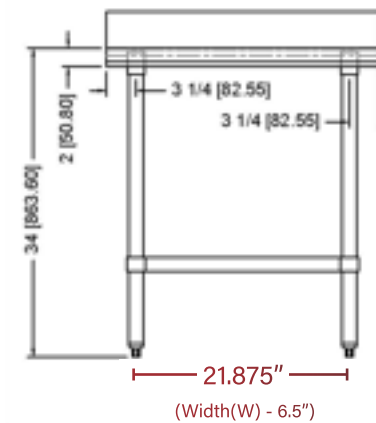
Size:	24" D x 30" W x 37" H
Weight	43 lbs
Width	30 inches
Shipping Size	32" L x 27" W x 7" H

**WTS-2430-BK**  
Technical Drawing

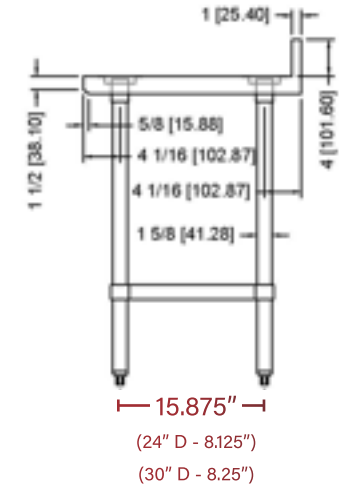
TOP VIEW



FRONT VIEW



SIDE VIEW



### Work Table with Backsplash, 24"x30"

### Features



- ✓ Premium 18 Gauge Type 304 stainless steel for durability.
- ✓ TIG welding for the top.
- ✓ Entire top surface polished to a smooth satin finish.
- ✓ Built to surpass industry reinforcement standards.
- ✓ Galvanized hat channels attached with structural adhesive and weld studs.
- ✓ Gussets welded for hat section support.
- ✓ Edges are hemmed for added strength and safety.
- ✓ Worktables standard height is 34" with an additional 4" backsplash riser.
- ✓ Galvanized legs and undershelf offer durability and cost-effectiveness.
- ✓ Reinforced leg sockets made from die-cast for added stability.
- ✓ Leg diameter is 1 5/8".
- ✓ ABS bullet feet are adjustable to level on uneven floors.

Model	Shipping Deminsions	Product Size	Width	Weight
WTS-2424-BK	27" L x 24" W x 7" H	24" D x 24" W x 34" H	24 inches	38 lbs
WTS-2430-BK	32" L x 27" W x 7" H	24" D x 30" W x 37" H	30 inches	43 lbs
WTS-2436-BK	38" L x 27" W x 7" H	24" D x 36" W x 37" H	36 inches	49 lbs
WTS-2448-BK	50" L x 27" W x 7" H	24" D x 48" W x 37" H	48 inches	59 lbs
WTS-2460-BK	62" L x 27" W x 7" H	24" D x 60" W x 37" H	60 inches	70 lbs
WTS-2472-BK	74" L x 27" W x 7" H	24" D x 72" W x 37" H	72 inches	80 lbs
WTS-3024-BK	32" L x 27" W x 7" H	30" D x 24" W x 37" H	24 inches	43 lbs
WTS-3030-BK	33" L x 33" W x 7" H	30" D x 30" W x 37" H	30 inches	49 lbs
WTS-3036-BK	38" L x 33" W x 7" H	30" D x 36" W x 37" H	36 inches	55 lbs
WTS-3048-BK	50" L x 33" W x 7" H	30" D x 48" W x 37" H	48 inches	67 lbs
WTS-3060-BK	62" L x 33" W x 7" H	30" D x 60" W x 37" H	60 inches	79 lbs
WTS-3072-BK	74" L x 33" W x 7" H	30" D x 72" W x 37" H	72 inches	92 lbs



# Stainless Steel Work Table

## WTS-2436-BK

Size:	24" D x 36" W x 37" H
Weight	49 lbs
Width	36 inches
Shipping Size	38" L x 27" W x 7" H

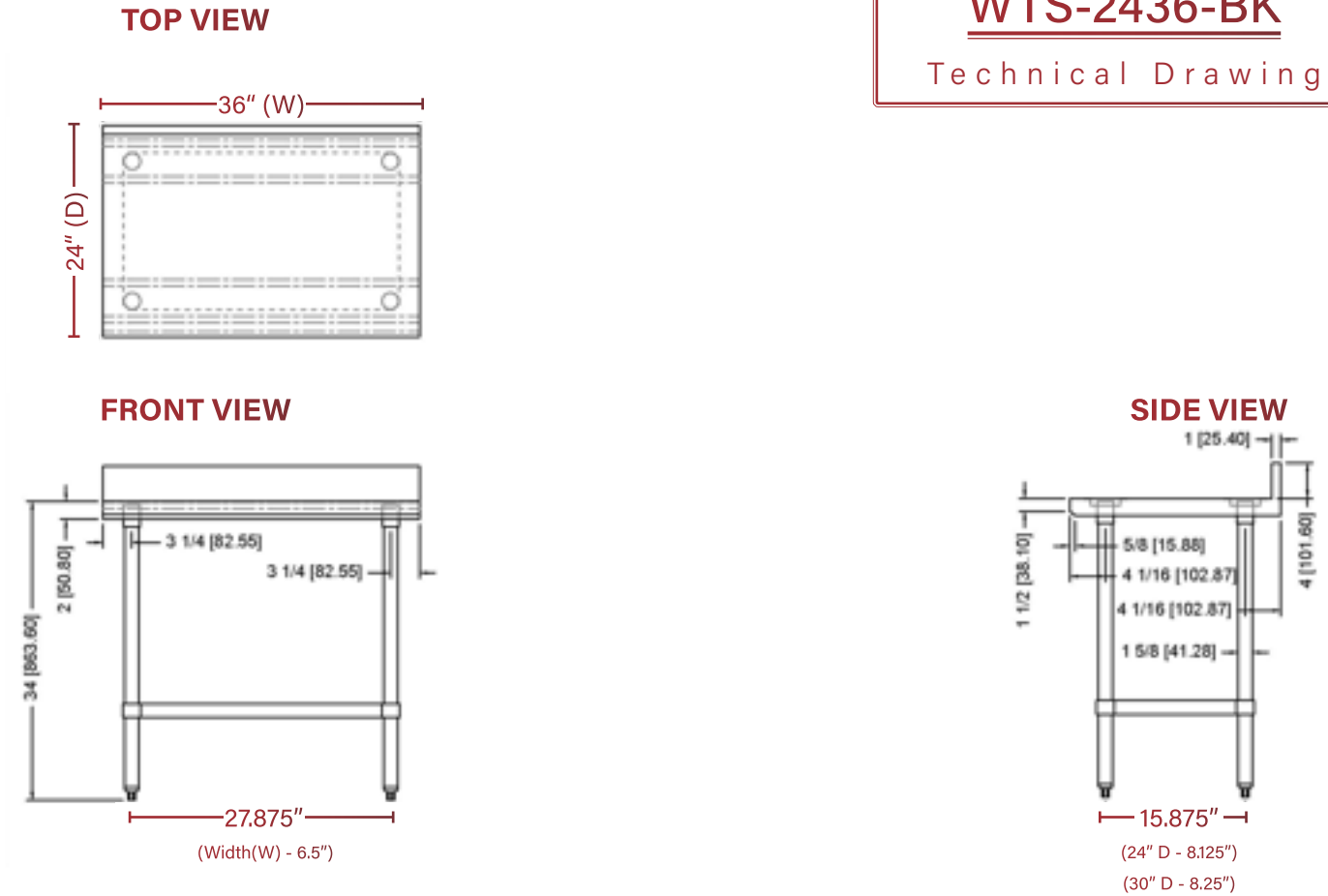
**WTS-2436-BK**  
Technical Drawing

### Work Table with Backsplash, 24"x36"

### Features



- ✓ Premium 18 Gauge Type 304 stainless steel for durability.
- ✓ TIG welding for the top.
- ✓ Entire top surface polished to a smooth satin finish.
- ✓ Built to surpass industry reinforcement standards.
- ✓ Galvanized hat channels attached with structural adhesive and weld studs.
- ✓ Gussets welded for hat section support.
- ✓ Edges are hemmed for added strength and safety.
- ✓ Worktables standard height is 34" with an additional 4" backsplash riser.
- ✓ Galvanized legs and undershelf offer durability and cost-effectiveness.
- ✓ Reinforced leg sockets made from die-cast for added stability.
- ✓ Leg diameter is 1 5/8".
- ✓ ABS bullet feet are adjustable to level on uneven floors.



Model	Shipping Demimensions	Product Size	Width	Weight
WTS-2424-BK	27" L x 24" W x 7" H	24" D x 24" W x 34" H	24 inches	38 lbs
WTS-2430-BK	32" L x 27" W x 7" H	24" D x 30" W x 37" H	30 inches	43 lbs
WTS-2436-BK	38" L x 27" W x 7" H	24" D x 36" W x 37" H	36 inches	49 lbs
WTS-2448-BK	50" L x 27" W x 7" H	24" D x 48" W x 37" H	48 inches	59 lbs
WTS-2460-BK	62" L x 27" W x 7" H	24" D x 60" W x 37" H	60 inches	70 lbs
WTS-2472-BK	74" L x 27" W x 7" H	24" D x 72" W x 37" H	72 inches	80 lbs
WTS-3024-BK	32" L x 27" W x 7" H	30" D x 24" W x 37" H	24 inches	43 lbs
WTS-3030-BK	33" L x 33" W x 7" H	30" D x 30" W x 37" H	30 inches	49 lbs
WTS-3036-BK	38" L x 33" W x 7" H	30" D x 36" W x 37" H	36 inches	55 lbs
WTS-3048-BK	50" L x 33" W x 7" H	30" D x 48" W x 37" H	48 inches	67 lbs
WTS-3060-BK	62" L x 33" W x 7" H	30" D x 60" W x 37" H	60 inches	79 lbs
WTS-3072-BK	74" L x 33" W x 7" H	30" D x 72" W x 37" H	72 inches	92 lbs





# Stainless Steel Work Table

## WTS-2448-BK

Size:	24" D x 48" W x 37" H
Weight	59 lbs
Width	48 inches
Shipping Size	50" L x 27" W x 7" H

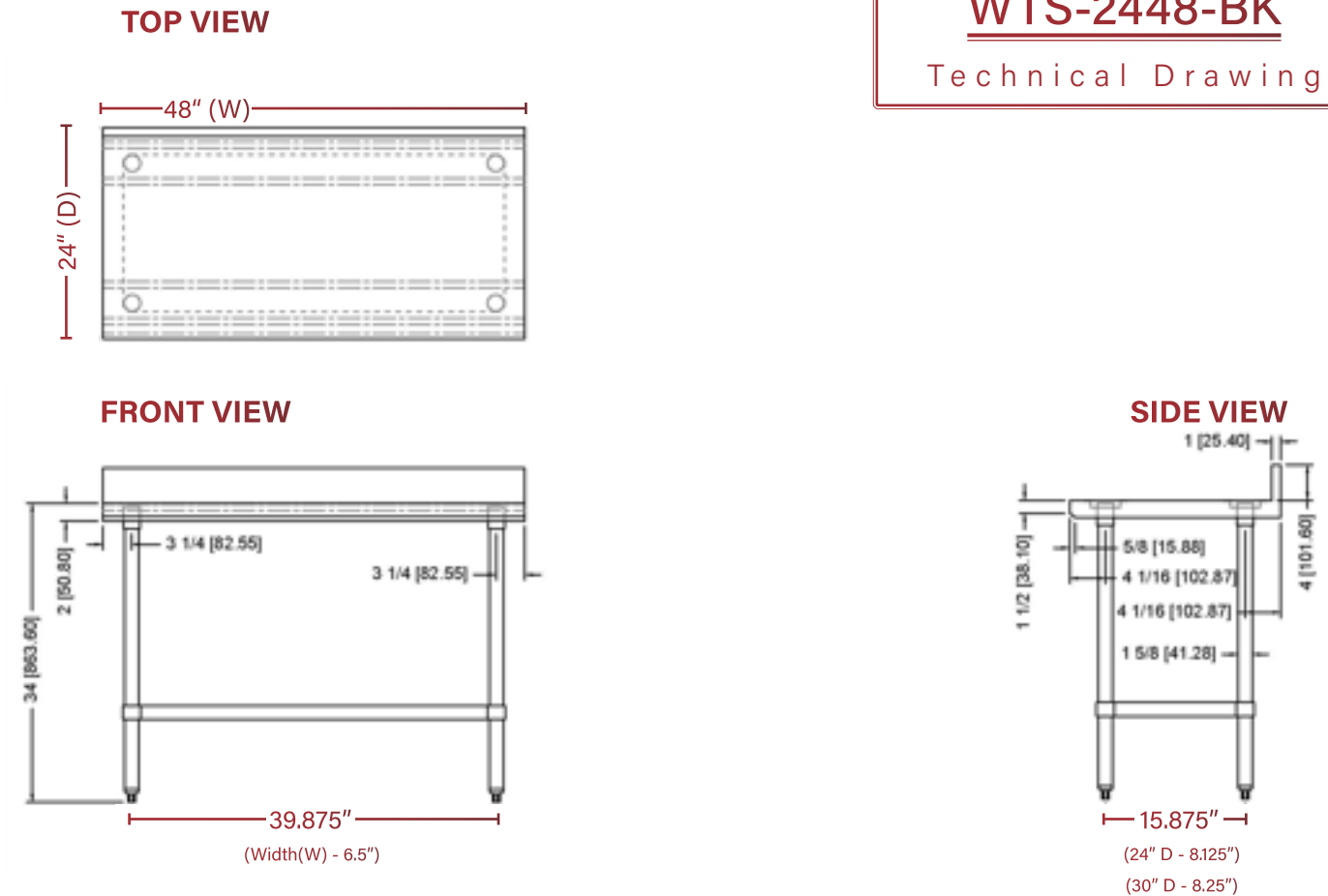
**WTS-2448-BK**  
Technical Drawing

### Work Table with Backsplash, 24"x48"

### Features



- ✓ Premium 18 Gauge Type 304 stainless steel for durability.
- ✓ Edges are hemmed for added strength and safety.
- ✓ TIG welding for the top.
- ✓ Worktables standard height is 34" with an additional 4" backsplash riser.
- ✓ Entire top surface polished to a smooth satin finish.
- ✓ Galvanized legs and undershelf offer durability and cost-effectiveness.
- ✓ Built to surpass industry reinforcement standards.
- ✓ Reinforced leg sockets made from die-cast for added stability.
- ✓ Galvanized hat channels attached with structural adhesive and weld studs.
- ✓ Leg diameter is 1 5/8".
- ✓ Gussets welded for hat section support.
- ✓ ABS bullet feet are adjustable to level on uneven floors.



Model	Shipping Demimensions	Product Size	Width	Weight
WTS-2424-BK	27" L x 24" W x 7" H	24" D x 24" W x 34" H	24 inches	38 lbs
WTS-2430-BK	32" L x 27" W x 7" H	24" D x 30" W x 37" H	30 inches	43 lbs
WTS-2436-BK	38" L x 27" W x 7" H	24" D x 36" W x 37" H	36 inches	49 lbs
WTS-2448-BK	50" L x 27" W x 7" H	24" D x 48" W x 37" H	48 inches	59 lbs
WTS-2460-BK	62" L x 27" W x 7" H	24" D x 60" W x 37" H	60 inches	70 lbs
WTS-2472-BK	74" L x 27" W x 7" H	24" D x 72" W x 37" H	72 inches	80 lbs
WTS-3024-BK	32" L x 27" W x 7" H	30" D x 24" W x 37" H	24 inches	43 lbs
WTS-3030-BK	33" L x 33" W x 7" H	30" D x 30" W x 37" H	30 inches	49 lbs
WTS-3036-BK	38" L x 33" W x 7" H	30" D x 36" W x 37" H	36 inches	55 lbs
WTS-3048-BK	50" L x 33" W x 7" H	30" D x 48" W x 37" H	48 inches	67 lbs
WTS-3060-BK	62" L x 33" W x 7" H	30" D x 60" W x 37" H	60 inches	79 lbs
WTS-3072-BK	74" L x 33" W x 7" H	30" D x 72" W x 37" H	72 inches	92 lbs

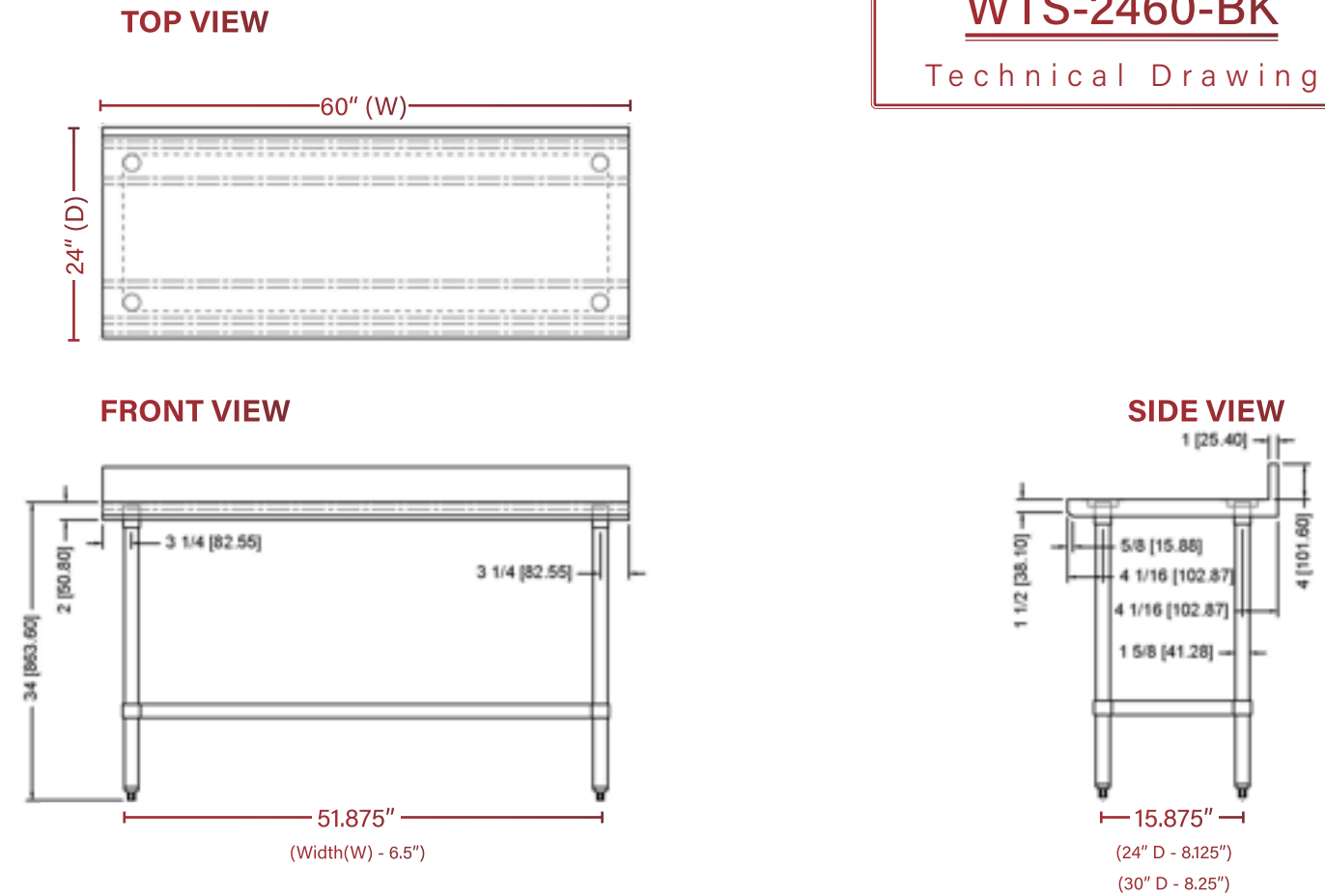


# Stainless Steel Work Table

## WTS-2460-BK

Size:	24" D x 60" W x 37" H
Weight	70 lbs
Width	60 inches
Shipping Size	62" L x 27" W x 7" H

**WTS-2460-BK**  
Technical Drawing



### Work Table with Backsplash, 24"x60"

### Features



- ✓ Premium 18 Gauge Type 304 stainless steel for durability.
- ✓ TIG welding for the top.
- ✓ Entire top surface polished to a smooth satin finish.
- ✓ Built to surpass industry reinforcement standards.
- ✓ Galvanized hat channels attached with structural adhesive and weld studs.
- ✓ Gussets welded for hat section support.
- ✓ Edges are hemmed for added strength and safety.
- ✓ Worktables standard height is 34" with an additional 4" backsplash riser.
- ✓ Galvanized legs and undershelf offer durability and cost-effectiveness.
- ✓ Reinforced leg sockets made from die-cast for added stability.
- ✓ Leg diameter is 1 5/8".
- ✓ ABS bullet feet are adjustable to level on uneven floors.

Model	Shipping Demimensions	Product Size	Width	Weight
WTS-2424-BK	27" L x 24" W x 7" H	24" D x 24" W x 34" H	24 inches	38 lbs
WTS-2430-BK	32" L x 27" W x 7" H	24" D x 30" W x 37" H	30 inches	43 lbs
WTS-2436-BK	38" L x 27" W x 7" H	24" D x 36" W x 37" H	36 inches	49 lbs
WTS-2448-BK	50" L x 27" W x 7" H	24" D x 48" W x 37" H	48 inches	59 lbs
WTS-2460-BK	62" L x 27" W x 7" H	24" D x 60" W x 37" H	60 inches	70 lbs
WTS-2472-BK	74" L x 27" W x 7" H	24" D x 72" W x 37" H	72 inches	80 lbs
WTS-3024-BK	32" L x 27" W x 7" H	30" D x 24" W x 37" H	24 inches	43 lbs
WTS-3030-BK	33" L x 33" W x 7" H	30" D x 30" W x 37" H	30 inches	49 lbs
WTS-3036-BK	38" L x 33" W x 7" H	30" D x 36" W x 37" H	36 inches	55 lbs
WTS-3048-BK	50" L x 33" W x 7" H	30" D x 48" W x 37" H	48 inches	67 lbs
WTS-3060-BK	62" L x 33" W x 7" H	30" D x 60" W x 37" H	60 inches	79 lbs
WTS-3072-BK	74" L x 33" W x 7" H	30" D x 72" W x 37" H	72 inches	92 lbs



# Stainless Steel Work Table

## WTS-2472-BK

Size:	24" D x 72" W x 37" H
Weight	80 lbs
Width	72 inches
Shipping Size	74" L x 27" W x 7" H

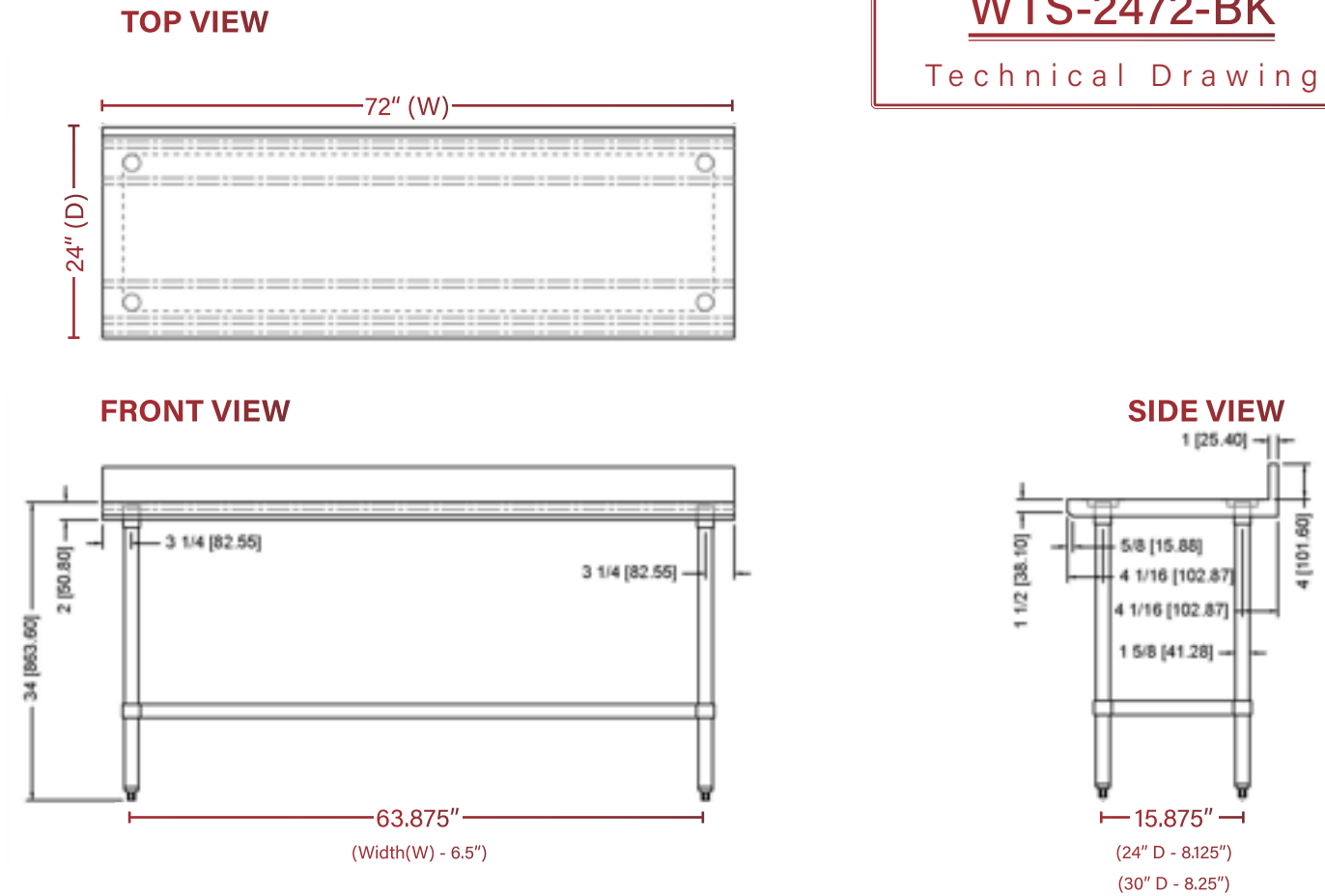
**WTS-2472-BK**  
Technical Drawing

### Work Table with Backsplash, 24"x72"

### Features



- ✓ Premium 18 Gauge Type 304 stainless steel for durability.
- ✓ TIG welding for the top.
- ✓ Entire top surface polished to a smooth satin finish.
- ✓ Built to surpass industry reinforcement standards.
- ✓ Galvanized hat channels attached with structural adhesive and weld studs.
- ✓ Gussets welded for hat section support.
- ✓ Edges are hemmed for added strength and safety.
- ✓ Worktables standard height is 34" with an additional 4" backsplash riser.
- ✓ Galvanized legs and undershelf offer durability and cost-effectiveness.
- ✓ Reinforced leg sockets made from die-cast for added stability.
- ✓ Leg diameter is 1 5/8".
- ✓ ABS bullet feet are adjustable to level on uneven floors.



Model	Shipping Demimensions	Product Size	Width	Weight
WTS-2424-BK	27" L x 24" W x 7" H	24" D x 24" W x 34" H	24 inches	38 lbs
WTS-2430-BK	32" L x 27" W x 7" H	24" D x 30" W x 37" H	30 inches	43 lbs
WTS-2436-BK	38" L x 27" W x 7" H	24" D x 36" W x 37" H	36 inches	49 lbs
WTS-2448-BK	50" L x 27" W x 7" H	24" D x 48" W x 37" H	48 inches	59 lbs
WTS-2460-BK	62" L x 27" W x 7" H	24" D x 60" W x 37" H	60 inches	70 lbs
WTS-2472-BK	74" L x 27" W x 7" H	24" D x 72" W x 37" H	72 inches	80 lbs
WTS-3024-BK	32" L x 27" W x 7" H	30" D x 24" W x 37" H	24 inches	43 lbs
WTS-3030-BK	33" L x 33" W x 7" H	30" D x 30" W x 37" H	30 inches	49 lbs
WTS-3036-BK	38" L x 33" W x 7" H	30" D x 36" W x 37" H	36 inches	55 lbs
WTS-3048-BK	50" L x 33" W x 7" H	30" D x 48" W x 37" H	48 inches	67 lbs
WTS-3060-BK	62" L x 33" W x 7" H	30" D x 60" W x 37" H	60 inches	79 lbs
WTS-3072-BK	74" L x 33" W x 7" H	30" D x 72" W x 37" H	72 inches	92 lbs



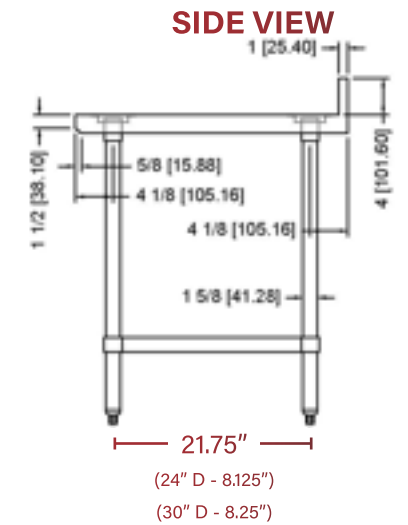
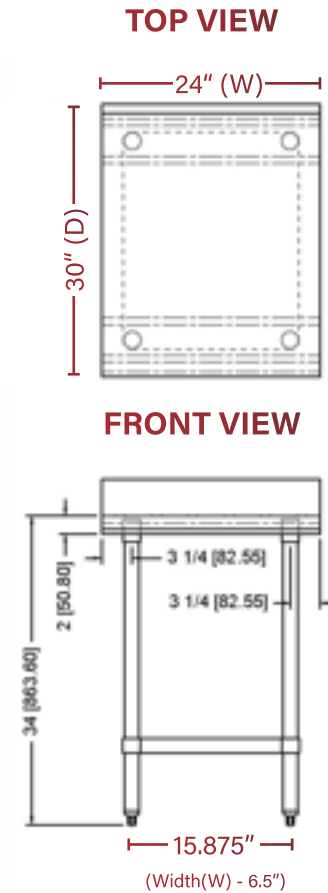


# Stainless Steel Work Table

## WTS-3024-BK

Size:	30" D x 24" W x 37" H
Weight	43 lbs
Width	24 inches
Shipping Size	32" L x 27" W x 7" H

**WTS-3024-BK**  
Technical Drawing



### Work Table with Backsplash, 30"x24"

### Features



- ✓ Premium 18 Gauge Type 304 stainless steel for durability.
- ✓ TIG welding for the top.
- ✓ Entire top surface polished to a smooth satin finish.
- ✓ Built to surpass industry reinforcement standards.
- ✓ Galvanized hat channels attached with structural adhesive and weld studs.
- ✓ Gussets welded for hat section support.
- ✓ Edges are hemmed for added strength and safety.
- ✓ Worktables standard height is 34" with an additional 4" backsplash riser.
- ✓ Galvanized legs and undershelf offer durability and cost-effectiveness.
- ✓ Reinforced leg sockets made from die-cast for added stability.
- ✓ Leg diameter is 1 5/8".
- ✓ ABS bullet feet are adjustable to level on uneven floors.

Model	Shipping Demimensions	Product Size	Width	Weight
WTS-2424-BK	27" L x 24" W x 7" H	24" D x 24" W x 34" H	24 inches	38 lbs
WTS-2430-BK	32" L x 27" W x 7" H	24" D x 30" W x 37" H	30 inches	43 lbs
WTS-2436-BK	38" L x 27" W x 7" H	24" D x 36" W x 37" H	36 inches	49 lbs
WTS-2448-BK	50" L x 27" W x 7" H	24" D x 48" W x 37" H	48 inches	59 lbs
WTS-2460-BK	62" L x 27" W x 7" H	24" D x 60" W x 37" H	60 inches	70 lbs
WTS-2472-BK	74" L x 27" W x 7" H	24" D x 72" W x 37" H	72 inches	80 lbs
WTS-3024-BK	32" L x 27" W x 7" H	30" D x 24" W x 37" H	24 inches	43 lbs
WTS-3030-BK	33" L x 33" W x 7" H	30" D x 30" W x 37" H	30 inches	49 lbs
WTS-3036-BK	38" L x 33" W x 7" H	30" D x 36" W x 37" H	36 inches	55 lbs
WTS-3048-BK	50" L x 33" W x 7" H	30" D x 48" W x 37" H	48 inches	67 lbs
WTS-3060-BK	62" L x 33" W x 7" H	30" D x 60" W x 37" H	60 inches	79 lbs
WTS-3072-BK	74" L x 33" W x 7" H	30" D x 72" W x 37" H	72 inches	92 lbs

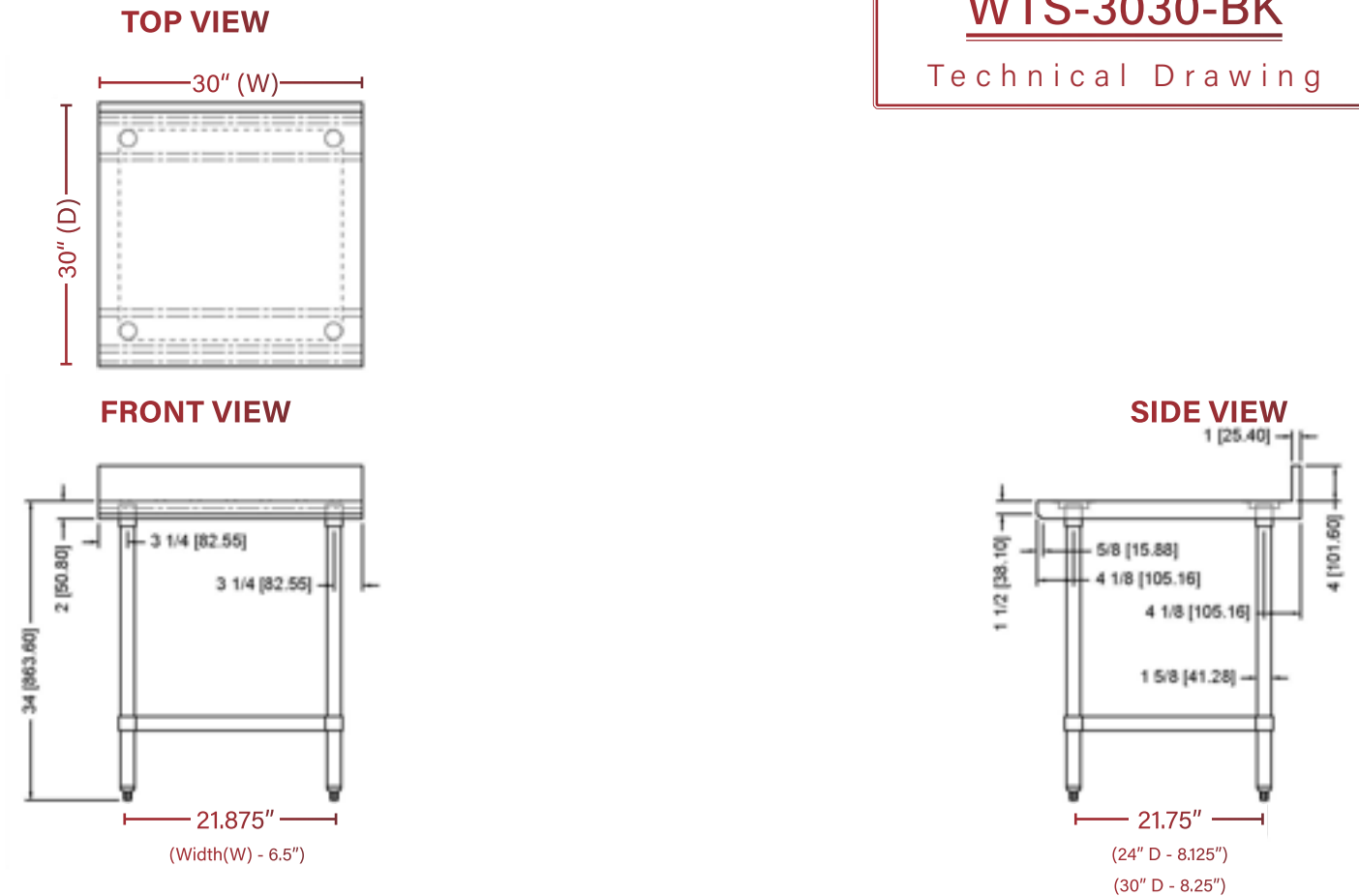


# Stainless Steel Work Table

## WTS-3030-BK

Size:	30" D x 30" W x 37" H
Weight	49 lbs
Width	30 inches
Shipping Size	33" L x 33" W x 7" H

**WTS-3030-BK**  
Technical Drawing



### Work Table with Backsplash, 30"x30"

### Features



- ✓ Premium 18 Gauge Type 304 stainless steel for durability.
- ✓ TIG welding for the top.
- ✓ Entire top surface polished to a smooth satin finish.
- ✓ Built to surpass industry reinforcement standards.
- ✓ Galvanized hat channels attached with structural adhesive and weld studs.
- ✓ Gussets welded for hat section support.
- ✓ Edges are hemmed for added strength and safety.
- ✓ Worktables standard height is 34" with an additional 4" backsplash riser.
- ✓ Galvanized legs and undershelf offer durability and cost-effectiveness.
- ✓ Reinforced leg sockets made from die-cast for added stability.
- ✓ Leg diameter is 1 5/8".
- ✓ ABS bullet feet are adjustable to level on uneven floors.

Model	Shipping Demimensions	Product Size	Width	Weight
WTS-2424-BK	27" L x 24" W x 7" H	24" D x 24" W x 34" H	24 inches	38 lbs
WTS-2430-BK	32" L x 27" W x 7" H	24" D x 30" W x 37" H	30 inches	43 lbs
WTS-2436-BK	38" L x 27" W x 7" H	24" D x 36" W x 37" H	36 inches	49 lbs
WTS-2448-BK	50" L x 27" W x 7" H	24" D x 48" W x 37" H	48 inches	59 lbs
WTS-2460-BK	62" L x 27" W x 7" H	24" D x 60" W x 37" H	60 inches	70 lbs
WTS-2472-BK	74" L x 27" W x 7" H	24" D x 72" W x 37" H	72 inches	80 lbs
WTS-3024-BK	32" L x 27" W x 7" H	30" D x 24" W x 37" H	24 inches	43 lbs
WTS-3030-BK	33" L x 33" W x 7" H	30" D x 30" W x 37" H	30 inches	49 lbs
WTS-3036-BK	38" L x 33" W x 7" H	30" D x 36" W x 37" H	36 inches	55 lbs
WTS-3048-BK	50" L x 33" W x 7" H	30" D x 48" W x 37" H	48 inches	67 lbs
WTS-3060-BK	62" L x 33" W x 7" H	30" D x 60" W x 37" H	60 inches	79 lbs
WTS-3072-BK	74" L x 33" W x 7" H	30" D x 72" W x 37" H	72 inches	92 lbs

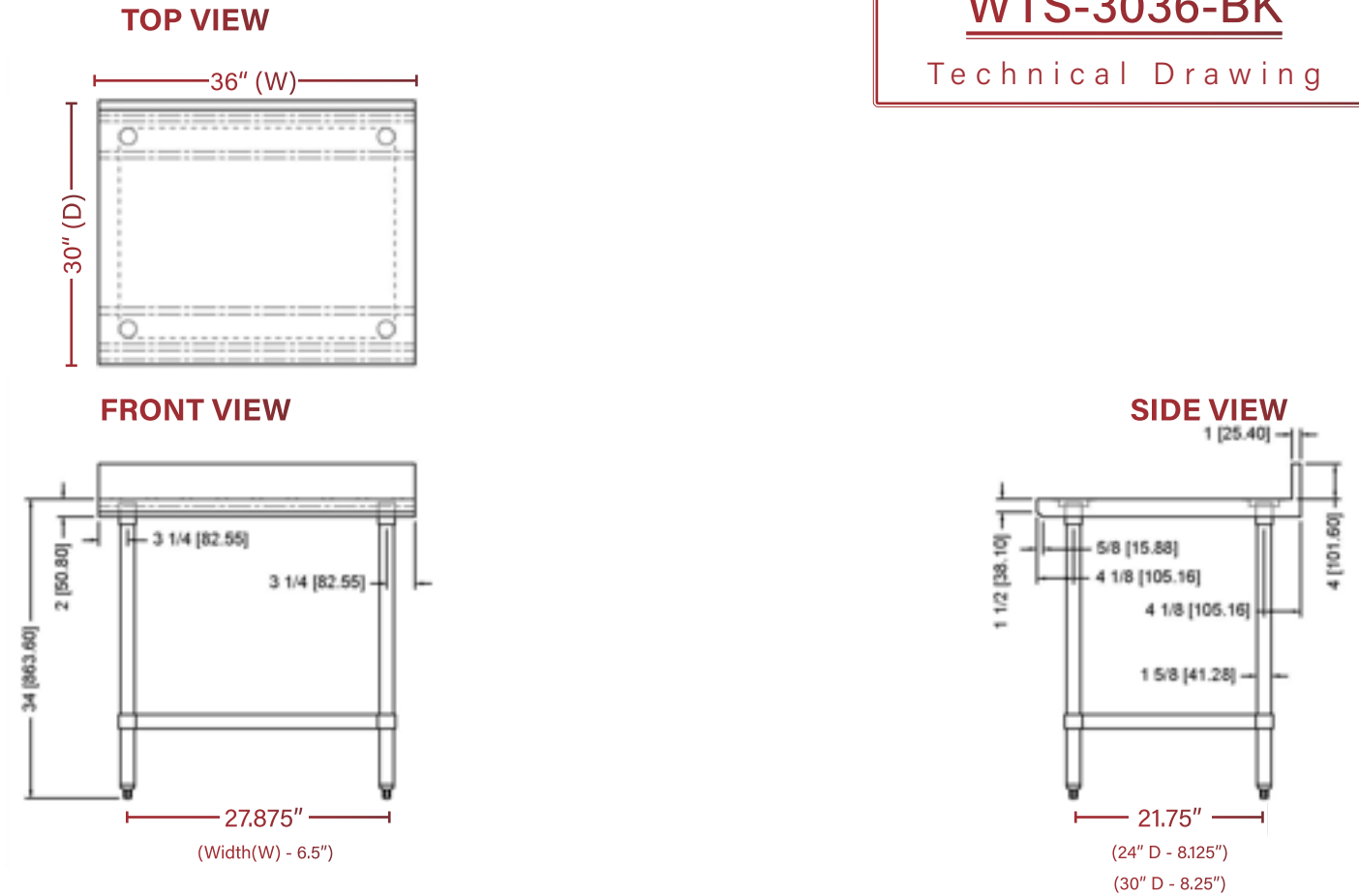


# Stainless Steel Work Table

## WTS-3036-BK

Size:	30" D x 36" W x 37" H
Weight	55 lbs
Width	36 inches
Shipping Size	38" L x 33" W x 7" H

**WTS-3036-BK**  
Technical Drawing



### Work Table with Backsplash, 30"x36"

### Features



- ✓ Premium 18 Gauge Type 304 stainless steel for durability.
- ✓ TIG welding for the top.
- ✓ Entire top surface polished to a smooth satin finish.
- ✓ Built to surpass industry reinforcement standards.
- ✓ Galvanized hat channels attached with structural adhesive and weld studs.
- ✓ Gussets welded for hat section support.
- ✓ Edges are hemmed for added strength and safety.
- ✓ Worktables standard height is 34" with an additional 4" backsplash riser.
- ✓ Galvanized legs and undershelf offer durability and cost-effectiveness.
- ✓ Reinforced leg sockets made from die-cast for added stability.
- ✓ Leg diameter is 1 5/8".
- ✓ ABS bullet feet are adjustable to level on uneven floors.

Model	Shipping Deminsons	Product Size	Width	Weight
WTS-2424-BK	27" L x 24" W x 7" H	24" D x 24" W x 34" H	24 inches	38 lbs
WTS-2430-BK	32" L x 27" W x 7" H	24" D x 30" W x 37" H	30 inches	43 lbs
WTS-2436-BK	38" L x 27" W x 7" H	24" D x 36" W x 37" H	36 inches	49 lbs
WTS-2448-BK	50" L x 27" W x 7" H	24" D x 48" W x 37" H	48 inches	59 lbs
WTS-2460-BK	62" L x 27" W x 7" H	24" D x 60" W x 37" H	60 inches	70 lbs
WTS-2472-BK	74" L x 27" W x 7" H	24" D x 72" W x 37" H	72 inches	80 lbs
WTS-3024-BK	32" L x 27" W x 7" H	30" D x 24" W x 37" H	24 inches	43 lbs
WTS-3030-BK	33" L x 33" W x 7" H	30" D x 30" W x 37" H	30 inches	49 lbs
WTS-3036-BK	38" L x 33" W x 7" H	30" D x 36" W x 37" H	36 inches	55 lbs
WTS-3048-BK	50" L x 33" W x 7" H	30" D x 48" W x 37" H	48 inches	67 lbs
WTS-3060-BK	62" L x 33" W x 7" H	30" D x 60" W x 37" H	60 inches	79 lbs
WTS-3072-BK	74" L x 33" W x 7" H	30" D x 72" W x 37" H	72 inches	92 lbs



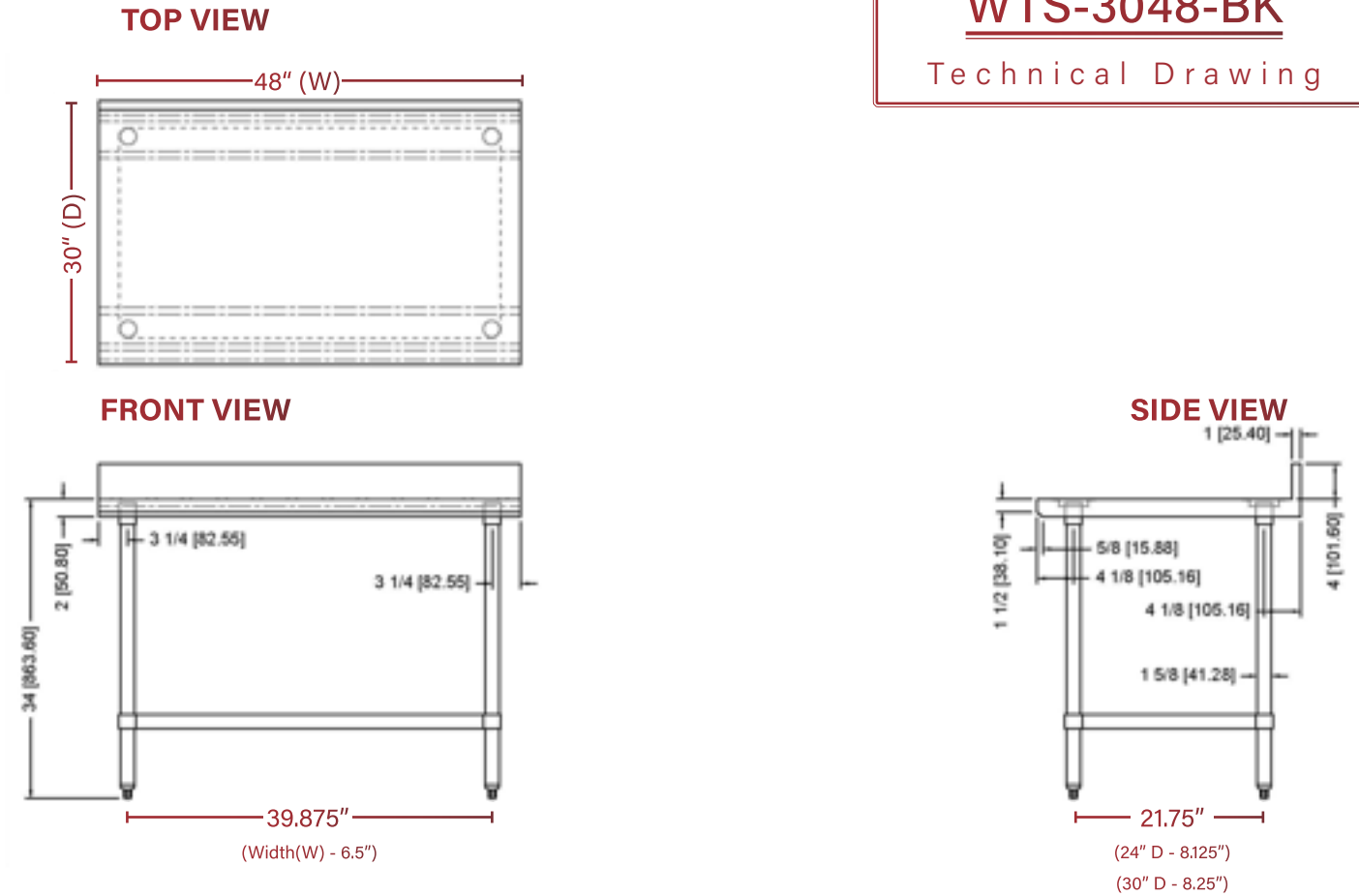


# Stainless Steel Work Table

## WTS-3048-BK

Size:	30" D x 48" W x 37" H
Weight	67 lbs
Width	48 inches
Shipping Size	50" L x 33" W x 7" H

**WTS-3048-BK**  
Technical Drawing



### Work Table with Backsplash, 30"x48"

### Features



- ✓ Premium 18 Gauge Type 304 stainless steel for durability.
- ✓ TIG welding for the top.
- ✓ Entire top surface polished to a smooth satin finish.
- ✓ Built to surpass industry reinforcement standards.
- ✓ Galvanized hat channels attached with structural adhesive and weld studs.
- ✓ Gussets welded for hat section support.
- ✓ Edges are hemmed for added strength and safety.
- ✓ Worktables standard height is 34" with an additional 4" backsplash riser.
- ✓ Galvanized legs and undershelf offer durability and cost-effectiveness.
- ✓ Reinforced leg sockets made from die-cast for added stability.
- ✓ Leg diameter is 1 5/8".
- ✓ ABS bullet feet are adjustable to level on uneven floors.

Model	Shipping Demimensions	Product Size	Width	Weight
WTS-2424-BK	27" L x 24" W x 7" H	24" D x 24" W x 34" H	24 inches	38 lbs
WTS-2430-BK	32" L x 27" W x 7" H	24" D x 30" W x 37" H	30 inches	43 lbs
WTS-2436-BK	38" L x 27" W x 7" H	24" D x 36" W x 37" H	36 inches	49 lbs
WTS-2448-BK	50" L x 27" W x 7" H	24" D x 48" W x 37" H	48 inches	59 lbs
WTS-2460-BK	62" L x 27" W x 7" H	24" D x 60" W x 37" H	60 inches	70 lbs
WTS-2472-BK	74" L x 27" W x 7" H	24" D x 72" W x 37" H	72 inches	80 lbs
WTS-3024-BK	32" L x 27" W x 7" H	30" D x 24" W x 37" H	24 inches	43 lbs
WTS-3030-BK	33" L x 33" W x 7" H	30" D x 30" W x 37" H	30 inches	49 lbs
WTS-3036-BK	38" L x 33" W x 7" H	30" D x 36" W x 37" H	36 inches	55 lbs
WTS-3048-BK	50" L x 33" W x 7" H	30" D x 48" W x 37" H	48 inches	67 lbs
WTS-3060-BK	62" L x 33" W x 7" H	30" D x 60" W x 37" H	60 inches	79 lbs
WTS-3072-BK	74" L x 33" W x 7" H	30" D x 72" W x 37" H	72 inches	92 lbs

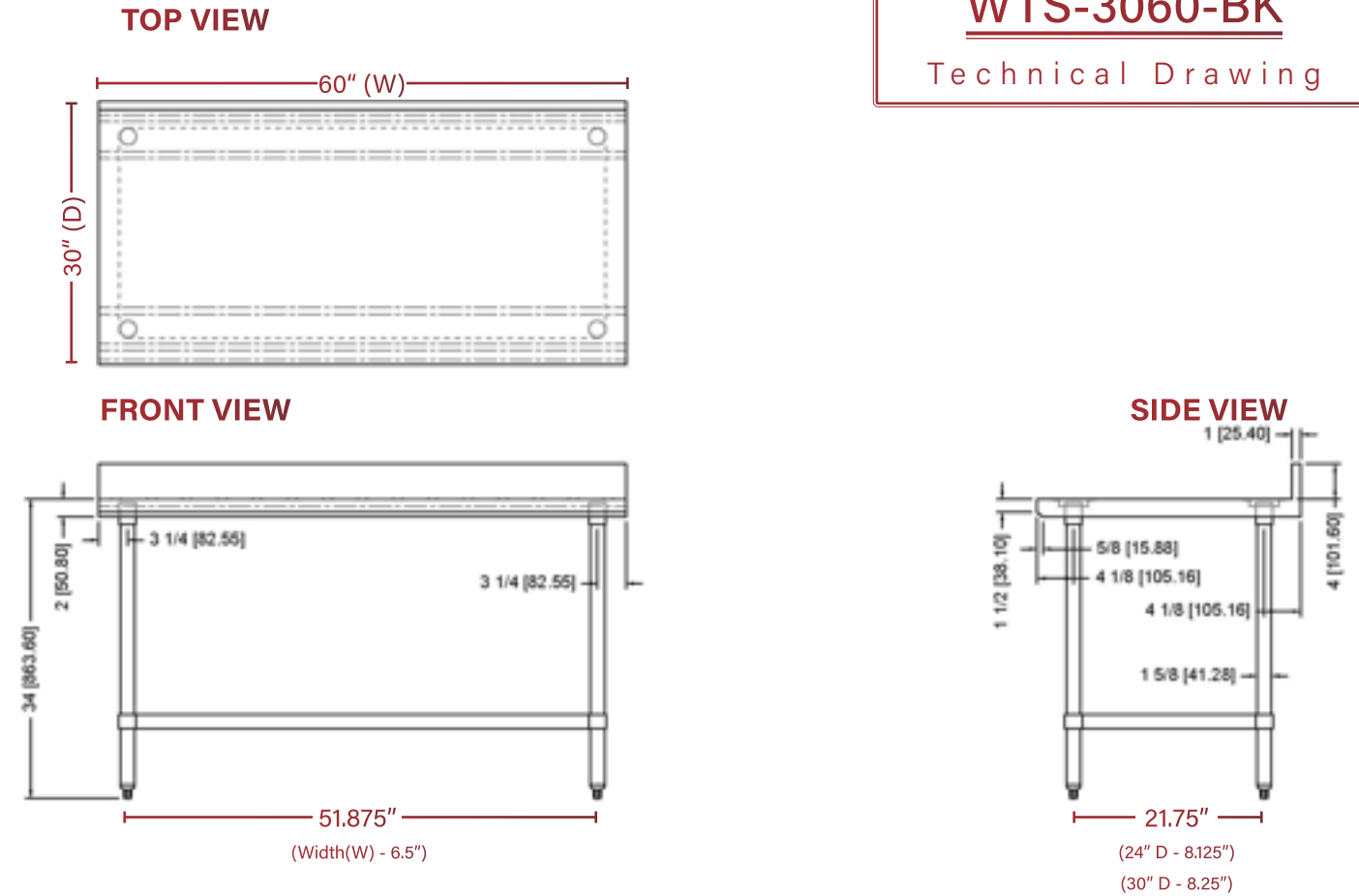


# Stainless Steel Work Table

## WTS-3060-BK

Size:	30" D x 60" W x 37" H
Weight	79 lbs
Width	60 inches
Shipping Size	62" L x 33" W x 7" H

**WTS-3060-BK**  
Technical Drawing



### Work Table with Backsplash, 30"x60"

### Features



- ✓ Premium 18 Gauge Type 304 stainless steel for durability.
- ✓ TIG welding for the top.
- ✓ Entire top surface polished to a smooth satin finish.
- ✓ Built to surpass industry reinforcement standards.
- ✓ Galvanized hat channels attached with structural adhesive and weld studs.
- ✓ Gussets welded for hat section support.
- ✓ Edges are hemmed for added strength and safety.
- ✓ Worktables standard height is 34" with an additional 4" backsplash riser.
- ✓ Galvanized legs and undershelf offer durability and cost-effectiveness.
- ✓ Reinforced leg sockets made from die-cast for added stability.
- ✓ Leg diameter is 1 5/8".
- ✓ ABS bullet feet are adjustable to level on uneven floors.

Model	Shipping Demimensions	Product Size	Width	Weight
WTS-2424	26" L x 26" W x 3" H	24" D x 24" W x 34" H	24 inches	35 lbs
WTS-2430	32" L x 26" W x 3" H	24" D x 30" W x 34" H	30 inches	40 lbs
WTS-2436	38" L x 26" W x 3" H	24" D x 36" W x 34" H	36 inches	46 lbs
WTS-2448	50" L x 26" W x 3" H	24" D x 48" W x 34" H	48 inches	56 lbs
WTS-2460	62" L x 26" W x 3" H	24" D x 60" W x 34" H	60 inches	66 lbs
WTS-2472	74" L x 26" W x 3" H	24" D x 72" W x 34" H	72 inches	76 lbs
WTS-3015	32" L x 17" W x 3" H	30" D x 15" W x 34" H	30 inches	33 lbs
WTS-3024	32" L x 26" W x 3" H	30" D x 24" W x 34" H	30 inches	38 lbs
WTS-3030	32" L x 32" W x 3" H	30" D x 30" W x 34" H	30 inches	43 lbs
WTS-3036	38" L x 32" W x 3" H	30" D x 36" W x 34" H	36 inches	49 lbs
WTS-3048	50" L x 32" W x 3" H	30" D x 48" W x 34" H	48 inches	59 lbs
WTS-3060	62" L x 32" W x 3" H	30" D x 60" W x 34" H	60 inches	70 lbs
WTS-3072	74" L x 32" W x 3" H	30" D x 72" W x 34" H	72 inches	80 lbs

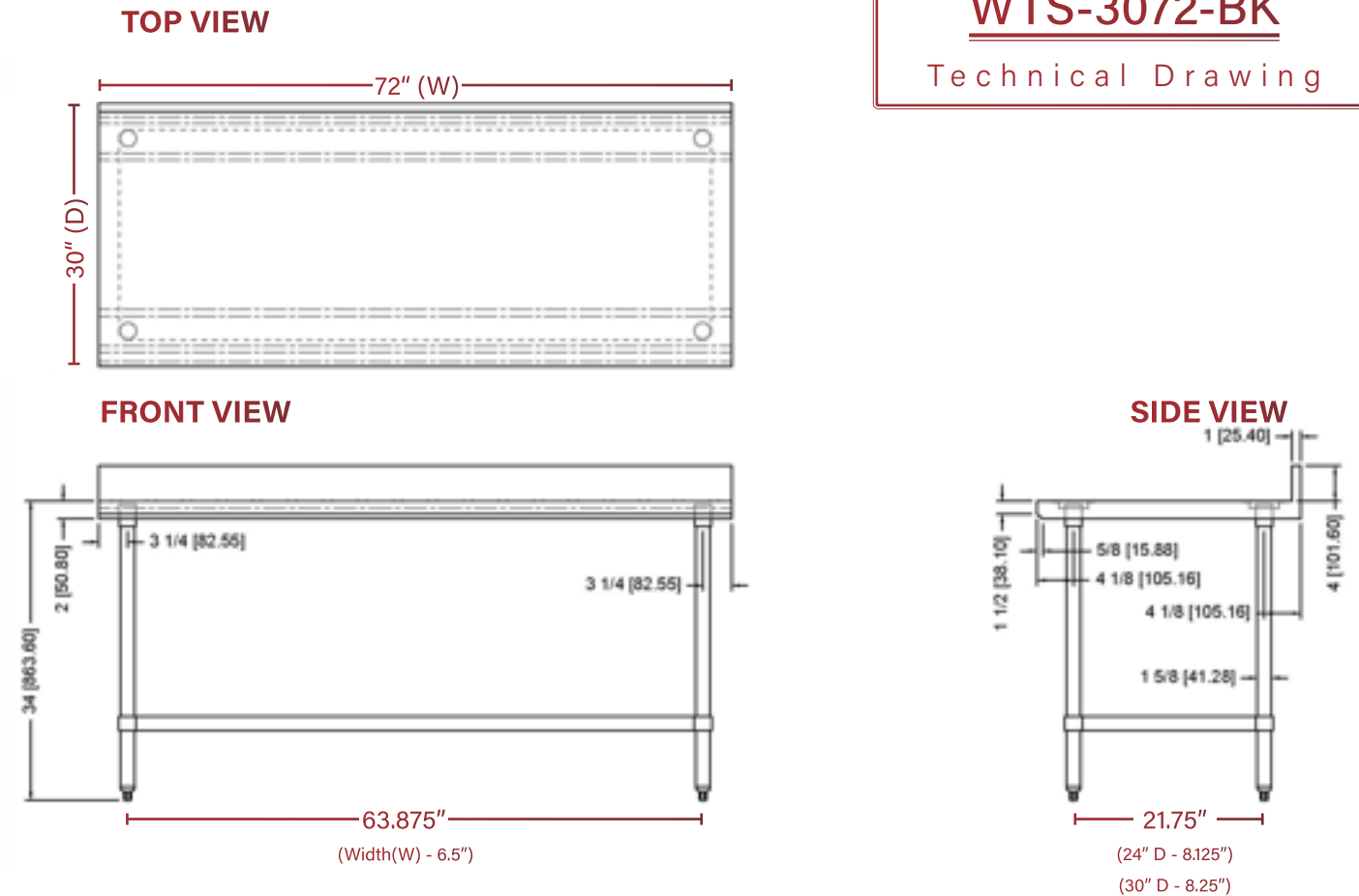


# Stainless Steel Work Table

## WTS-3072-BK

Size:	30" D x 72" W x 37" H
Weight	92 lbs
Width	72 inches
Shipping Size	74" L x 33" W x 7" H

**WTS-3072-BK**  
Technical Drawing



### Work Table with Backsplash, 30"x72"

### Features



- ✓ Premium 18 Gauge Type 304 stainless steel for durability.
- ✓ TIG welding for the top.
- ✓ Entire top surface polished to a smooth satin finish.
- ✓ Built to surpass industry reinforcement standards.
- ✓ Galvanized hat channels attached with structural adhesive and weld studs.
- ✓ Gussets welded for hat section support.
- ✓ Edges are hemmed for added strength and safety.
- ✓ Worktables standard height is 34" with an additional 4" backsplash riser.
- ✓ Galvanized legs and undershelf offer durability and cost-effectiveness.
- ✓ Reinforced leg sockets made from die-cast for added stability.
- ✓ Leg diameter is 1 5/8".
- ✓ ABS bullet feet are adjustable to level on uneven floors.

Model	Shipping Deminsions	Product Size	Width	Weight
WTS-2424-BK	27" L x 24" W x 7" H	24" D x 24" W x 34" H	24 inches	38 lbs
WTS-2430-BK	32" L x 27" W x 7" H	24" D x 30" W x 37" H	30 inches	43 lbs
WTS-2436-BK	38" L x 27" W x 7" H	24" D x 36" W x 37" H	36 inches	49 lbs
WTS-2448-BK	50" L x 27" W x 7" H	24" D x 48" W x 37" H	48 inches	59 lbs
WTS-2460-BK	62" L x 27" W x 7" H	24" D x 60" W x 37" H	60 inches	70 lbs
WTS-2472-BK	74" L x 27" W x 7" H	24" D x 72" W x 37" H	72 inches	80 lbs
WTS-3024-BK	32" L x 27" W x 7" H	30" D x 24" W x 37" H	24 inches	43 lbs
WTS-3030-BK	33" L x 33" W x 7" H	30" D x 30" W x 37" H	30 inches	49 lbs
WTS-3036-BK	38" L x 33" W x 7" H	30" D x 36" W x 37" H	36 inches	55 lbs
WTS-3048-BK	50" L x 33" W x 7" H	30" D x 48" W x 37" H	48 inches	67 lbs
WTS-3060-BK	62" L x 33" W x 7" H	30" D x 60" W x 37" H	60 inches	79 lbs
WTS-3072-BK	74" L x 33" W x 7" H	30" D x 72" W x 37" H	72 inches	92 lbs