

Features

- Comes with a 304 stainless steel wire whip, beater, and aluminum hook.
- It includes a stainless steel safety guard for the mixing bowl.
- The mixer operates quietly for a more pleasant working environment.
- Equipped with a 6-foot power cord for flexible placement.
- It is constructed from high-quality materials for durability and longevity.
- Long-life gearbox for reliable performance over time.



Food Mixer 7 qt



Planetary Mixer 10 qt



Planetary Mixer 20 qt

Model Number	Dimensions(W"xD"xH")
MP-7	16.5x9.4x16.7
Capacity	Voltage
1.20kg	120V/60Hz/1
Power/HP	Transmission
280w/0.38hp°F	Gear Drive
Flour Capacity	Warranty (Year)
3.3lbs (1.5kg)	1 Year Parts & Labor

Model Number	Dimensions(W"xD"xH")
MP-10	15.6x15.6x24
Capacity	Voltage
3.2kg	120V/60Hz/1
Power/HP	Transmission
550w/1hp°F	Gear Drive
Flour Capacity	Warranty (Year)
4.5lbs (2kg)	1 Year Parts & Labor

Model Number	Dimensions(W"xD"xH")
MP-20	21.9x22x31.3
Capacity	Voltage
8kg	120V/60Hz/1
Power/HP	Transmission
1100w/1.5hp°F	Gear Drive
Flour Capacity	Warranty (Year)
10lbs (5kg)	1 Year Parts & Labor



Planetary Mixer 30 qt



Planetary Mixer 40 qt

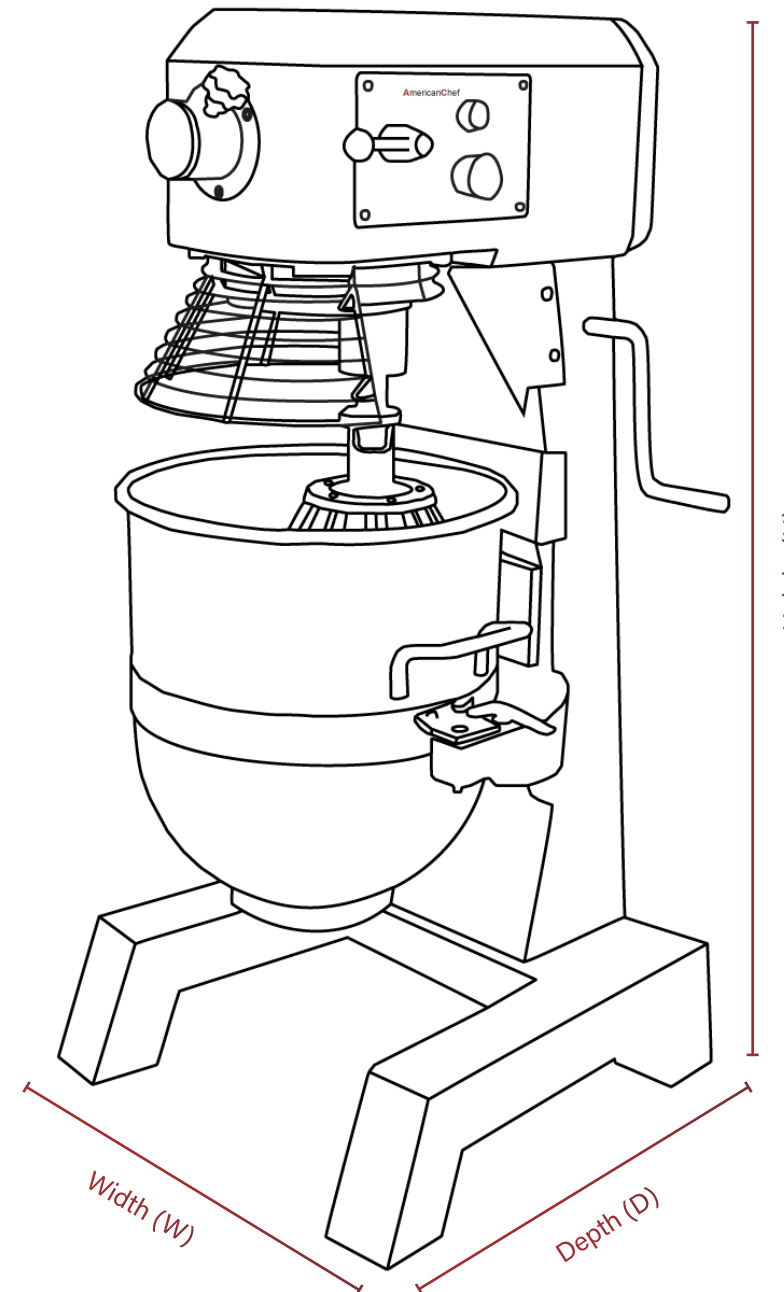


Planetary Mixer 60 qt

Model Number	Dimensions(W"xD"xH")
MP-30	22.8x24x44.9
Capacity	Voltage
11.3kg	120V/60Hz/1
Power/HP	Transmission
1500w/2.0hp°F	Gear Drive
Flour Capacity	Warranty (Year)
13.2lbs (6kg)	1 Year Parts & Labor

Model Number	Dimensions(W"xD"xH")
MP-40	22.8x24x44.9
Capacity	Voltage
15kg	220V/60Hz/1
Power/HP	Transmission
2200w/3.0hp°F	Gear Drive
Flour Capacity	Warranty (Year)
21lbs (9.5kg)	1 Year Parts & Labor

Model Number	Dimensions(W"xD"xH")
MP-60	41.3x27.6x57.3
Capacity	Voltage
24kg	380V/50HZ/3 or custom Ph Hardwired
Power/HP	Transmission
3000w/4.0hp°F	Gear Drive
Flour Capacity	Warranty (Year)
33lbs (15kg)	1 Year Parts & Labor



Model	Shipping Size	Product Size	Capacity	Power	Transmission	Voltage	Weight
MP-7	19.1"W x 12.6"D x 19.7"H	16.5"W x 9.4"D x 16.7"H	1.2 kg	280w	Gear	120v/60z/1ph	33 lbs
MP-10	19.9"W x 18.7"D x 28.0"H	15.6"D x 15.6"W x 24"H	3.2 kg	550w	Gear	120v/60z/1ph	79 lbs
MP-20	24.8"W x 23.2"D x 35.0"H	21.9"W x 22"D x 31.3"H	8 kg	1100w	Gear	120v/60z/1ph	211 lbs
MP-30	28.0"W x 26.4"D x 50.0"H	22.8"D x 24"W x 44.9"H	11.3 kg	1500w	Gear	120v/60z/1ph	374 lbs
MP-40	28.0"W x 26.4"D x 50.0"H	22.8"W x 24"D x 44.9"H	15 kg	2200w	Gear	120v/60z/1ph	407 lbs
MP-60	45.7"W x 33.9"D x 65.0"H	41.7"D x 27.6"W x 57.3"H	24 kg	3000w	Gear	380v/50z/3ph	919 lbs