

American Chef Hand Sinks



HS-17F

Size:	17" W x 15.325" D x 13.5" H
Bowl Size:	14" W x 10" D
Drain Area:	Center
Drain Size:	1 7/8"
Shipping Size:	18" W x 16" D x 14.5" H
Weight:	13 lbs

SHS-17F

Size:	12" W x 16" D x 13" H
Bowl Size:	9" W x 9" D
Drain Area:	Center
Drain Size:	1.5"
Shipping Size:	17" W x 13" D x 14" H
Weight:	14 lbs

✓ Made from 20GA 304 stainless steel with 18GA side splashes for long-lasting use.

✓ Includes gooseneck faucets and 1.5" drain baskets for easy setup.

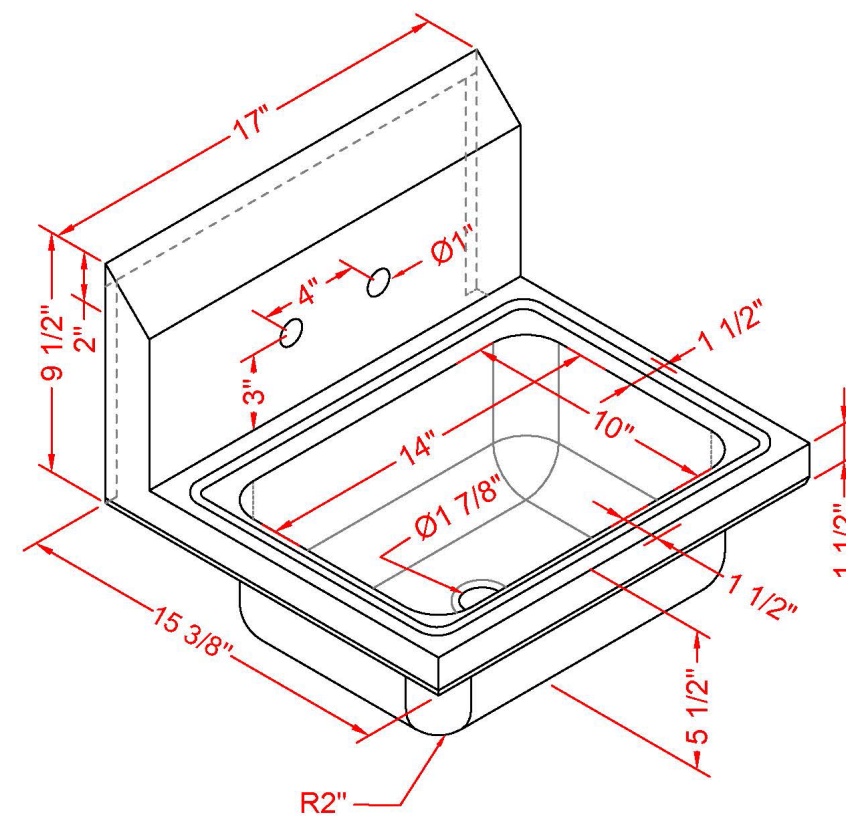
✓ Space saver sink features additional side splashes

✓ Both are securely packaged in carton boxes for safe transportation.

Hand Sinks

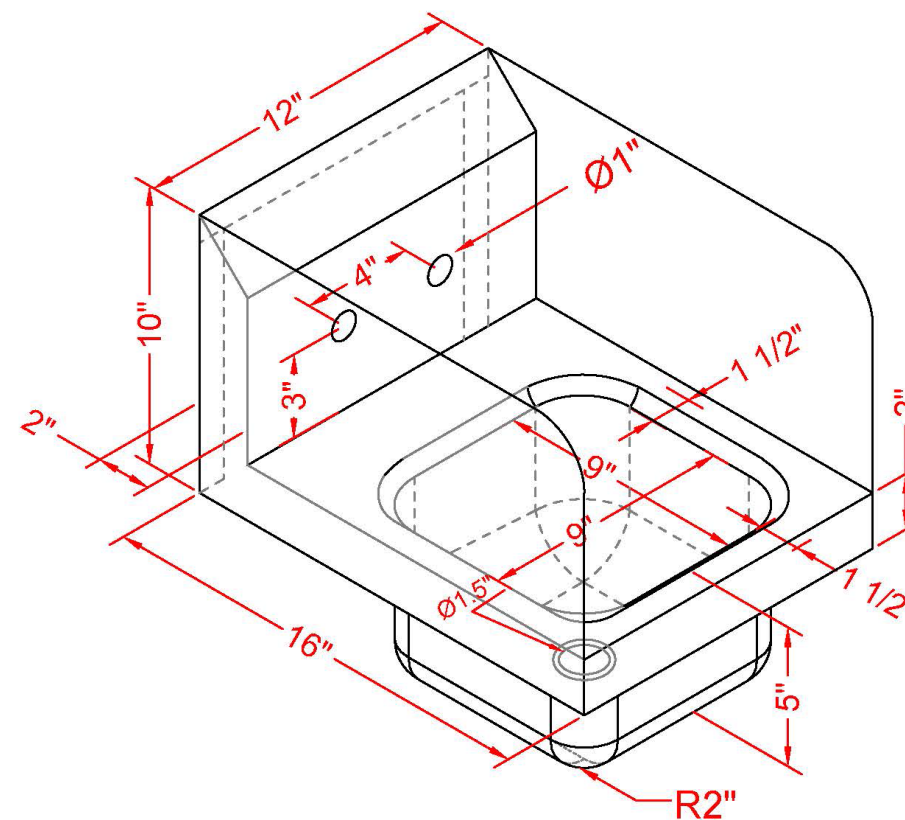
HS-17F

Technical Drawing



SHS-17F

Technical Drawing



Model	Shipping Size	Product Size	Bowl Width	Bowl Depth	Drain Size	Weight
HS-17F	18" W x 16" D x 14.5" H	17" W x 15.325" D x 13.5" H	14"	10"	1 7/8"	13 lbs
SHS-17F	17" W x 13" D x 14" H	23.5" D x 38.5" W x 43" H	9"	9"	1.5"	14 lbs