




STAINLESS STEEL EQUIPMENT STANDS

ICE AGE REFRIGERATION INC

121 McLean Drive, Vancouver BC, Canada

 If the data and structure update, without notice, subject to material object.



Stainless Steel Equipment Stand

EST-2424

Size:	24" D x 24" W x 24" H
Weight	40 lbs
Width	24 inches
Shipping Size	26" L x 26" W x 5" H

Equipment Stand, 24" x 24"

Features

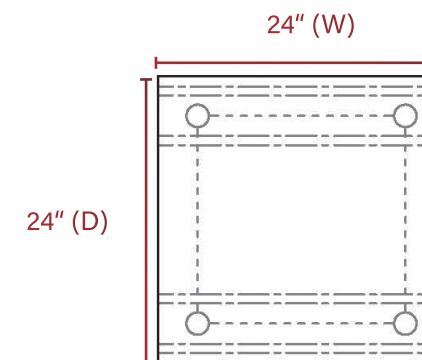


- ✓ 1.5" riser on three sides securely holds equipment in place.
- ✓ Heavy-duty, 18 gauge, Type 430 stainless steel top ensures long-lasting durability.
- ✓ Top is TIG welded for strength.
- ✓ Entire top surface is polished to a satin finish.
- ✓ Reinforced to exceed industry standards.
- ✓ Galvanized hat channels secured to the top with structural adhesive and weld studs.
- ✓ Welded gussets support hat sections.
- ✓ Hemmed edges for added strength and safety.
- ✓ Galvanized legs and undershelf offer durability and cost-effectiveness.
- ✓ Die-cast reinforced leg sockets for enhanced stability.

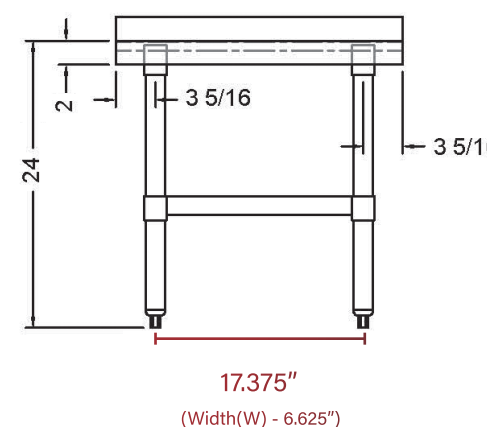
EST-2424

Technical Drawing

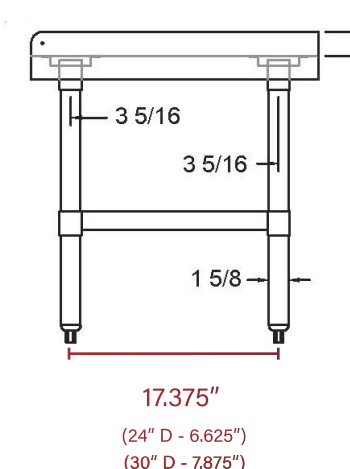
TOP VIEW



FRONT VIEW



SIDE VIEW



Model	Shipping Deminsions	Product Size	Width	Weight
EST-2424	26" L x 26" W x 5" H	24" D x 24" W x 26" H	24 inches	40 lbs
EST-2430	32" L x 26" W x 5" H	24" D x 30" W x 26" H	30 inches	45 lbs
EST-2436	38" L x 26" W x 5" H	24" D x 36" W x 26" H	36 inches	49 lbs
EST-2448	50" L x 26" W x 5" H	24" D x 48" W x 26" H	48 inches	60 lbs
EST-2460	62" L x 26" W x 5" H	24" D x 60" W x 26" H	60 inches	80 lbs
EST-3015	32" L x 18" W x 5" H	30" D x 15" W x 26" H	15 inches	37 lbs
EST-3018	32" L x 20" W x 5" H	30" D x 18" W x 26" H	18 inches	40 lbs
EST-3024	32" L x 26" W x 5" H	30" D x 24" W x 26" H	24 inches	48 lbs
EST-3030	32" L x 32" W x 5" H	30" D x 30" W x 26" H	30 inches	52 lbs
EST-3036	38" L x 32" W x 5" H	30" D x 36" W x 26" H	36 inches	57 lbs
EST-3048	50" L x 32" W x 5" H	30" D x 48" W x 26" H	48 inches	69 lbs
EST-3060	62" L x 32" W x 5" H	30" D x 60" W x 26" H	60 inches	75 lbs



Stainless Steel Equipment Stand

EST-2430

Size:	24" D x 30" W x 24" H
Weight	45 lbs
Width	30 inches
Shipping Size	32" L x 26" W x 5" H

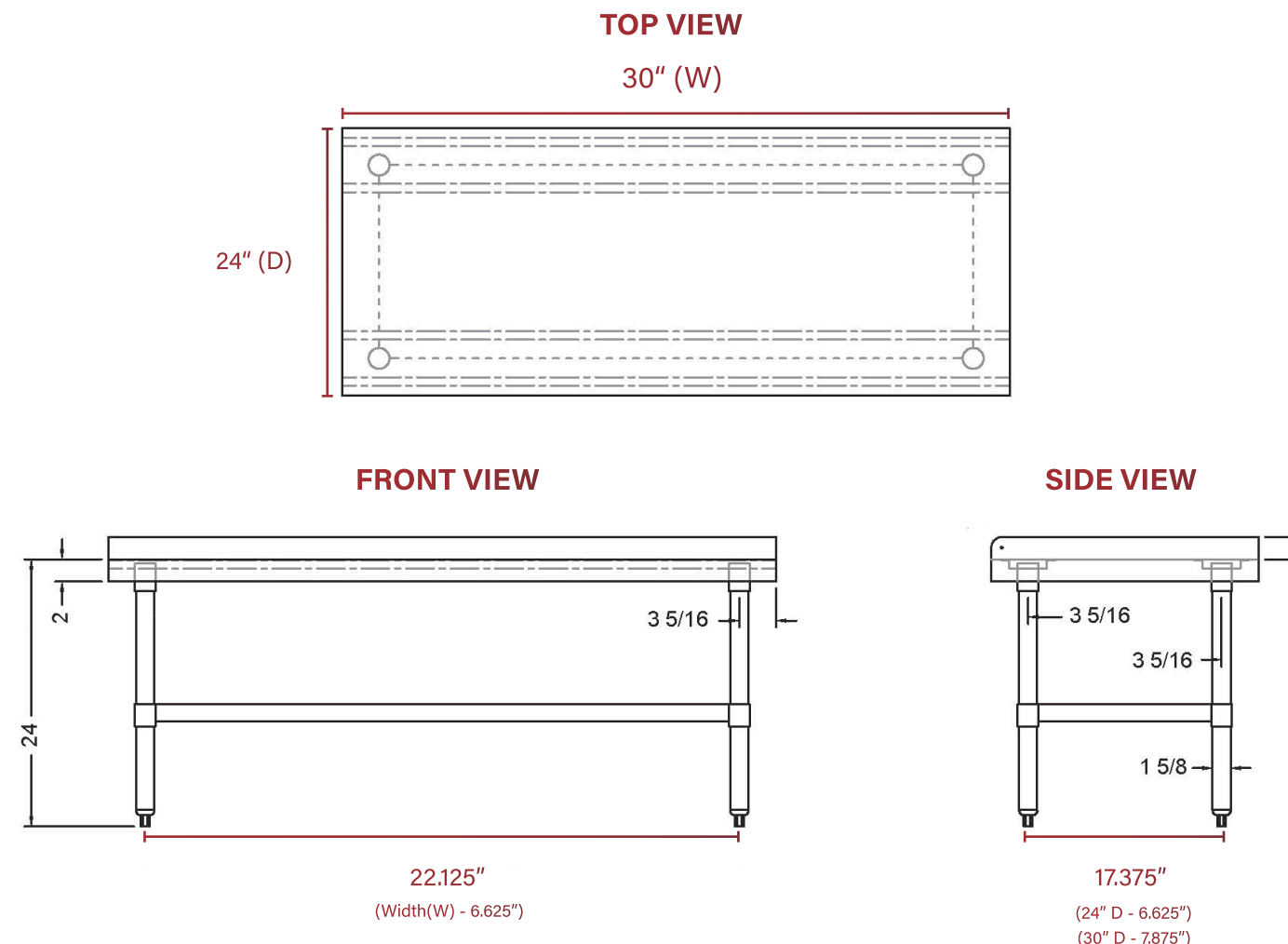
Equipment Stand, 24" x 30"

Features



- ✓ 1.5" riser on three sides securely holds equipment in place.
- ✓ Heavy-duty, 18 gauge, Type 430 stainless steel top ensures long-lasting durability.
- ✓ Top is TIG welded for strength.
- ✓ Entire top surface is polished to a satin finish.
- ✓ Reinforced to exceed industry standards.
- ✓ Galvanized hat channels secured to the top with structural adhesive and weld studs.
- ✓ Welded gussets support hat sections.
- ✓ Hemmed edges for added strength and safety.
- ✓ Galvanized legs and undershelf offer durability and cost-effectiveness.
- ✓ Die-cast reinforced leg sockets for enhanced stability.

EST-2430 Technical Drawing



Model	Shipping Deminsions	Product Size	Width	Weight
EST-2424	26" L x 26" W x 5" H	24" D x 24" W x 26" H	24 inches	40 lbs
EST-2430	32" L x 26" W x 5" H	24" D x 30" W x 26" H	30 inches	45 lbs
EST-2436	38" L x 26" W x 5" H	24" D x 36" W x 26" H	36 inches	49 lbs
EST-2448	50" L x 26" W x 5" H	24" D x 48" W x 26" H	48 inches	60 lbs
EST-2460	62" L x 26" W x 5" H	24" D x 60" W x 26" H	60 inches	80 lbs
EST-3015	32" L x 18" W x 5" H	30" D x 15" W x 26" H	15 inches	37 lbs
EST-3018	32" L x 20" W x 5" H	30" D x 18" W x 26" H	18 inches	40 lbs
EST-3024	32" L x 26" W x 5" H	30" D x 24" W x 26" H	24 inches	48 lbs
EST-3030	32" L x 32" W x 5" H	30" D x 30" W x 26" H	30 inches	52 lbs
EST-3036	38" L x 32" W x 5" H	30" D x 36" W x 26" H	36 inches	57 lbs
EST-3048	50" L x 32" W x 5" H	30" D x 48" W x 26" H	48 inches	69 lbs
EST-3060	62" L x 32" W x 5" H	30" D x 60" W x 26" H	60 inches	75 lbs



Stainless Steel Equipment Stand

EST-2436

Size:	24" D x 36" W x 24" H
Weight	49 lbs
Width	36 inches
Shipping Size	38" L x 26" W x 5" H

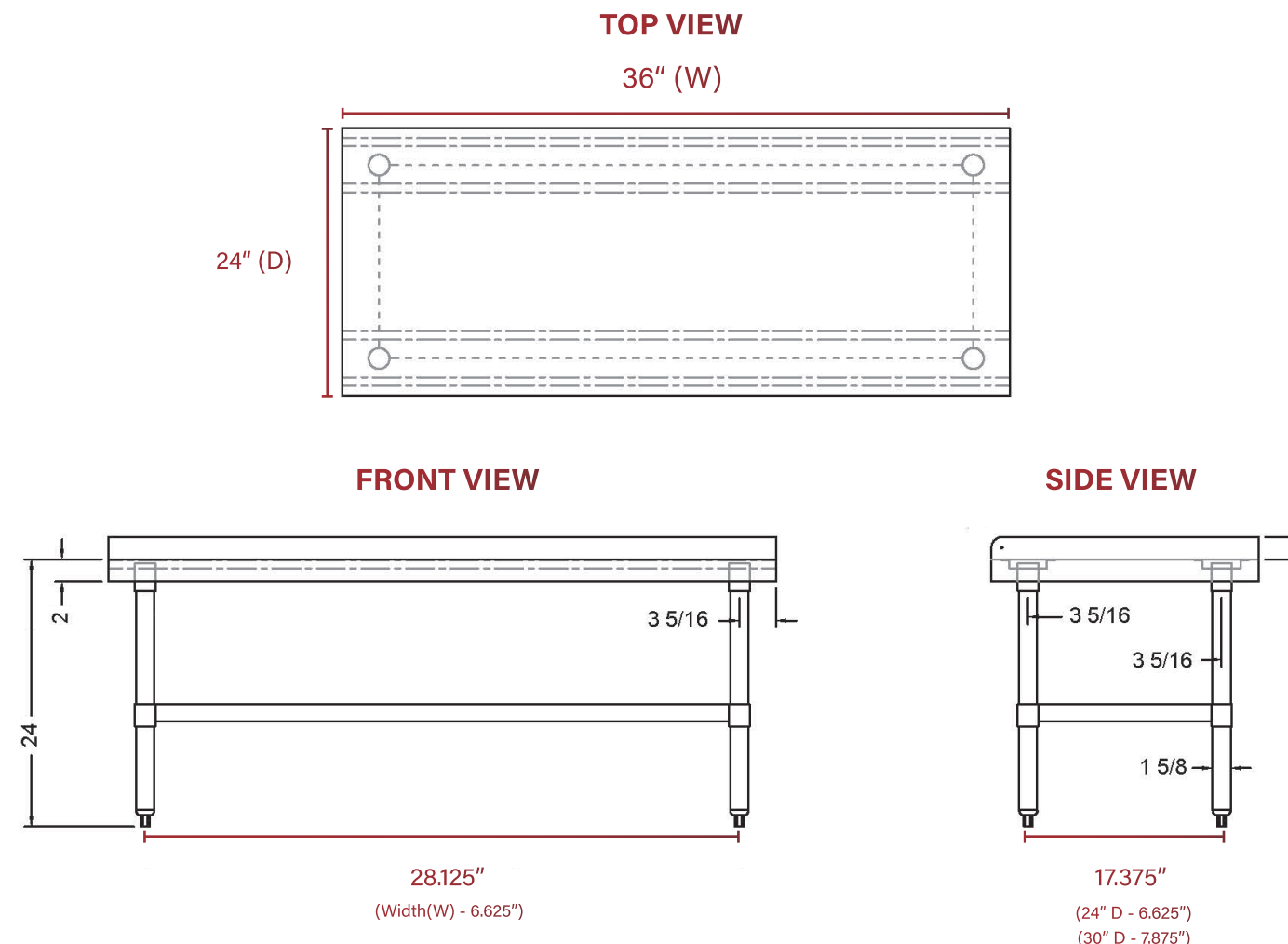
Equipment Stand, 24" x 36"

Features



- ✓ 1.5" riser on three sides securely holds equipment in place.
- ✓ Heavy-duty, 18 gauge, Type 430 stainless steel top ensures long-lasting durability.
- ✓ Top is TIG welded for strength.
- ✓ Entire top surface is polished to a satin finish.
- ✓ Reinforced to exceed industry standards.
- ✓ Galvanized hat channels secured to the top with structural adhesive and weld studs.
- ✓ Welded gussets support hat sections.
- ✓ Hemmed edges for added strength and safety.
- ✓ Galvanized legs and undershelf offer durability and cost-effectiveness.
- ✓ Die-cast reinforced leg sockets for enhanced stability.

EST-2436 Technical Drawing



Model	Shipping Deminsions	Product Size	Width	Weight
EST-2424	26" L x 26" W x 5" H	24" D x 24" W x 26" H	24 inches	40 lbs
EST-2430	32" L x 26" W x 5" H	24" D x 30" W x 26" H	30 inches	45 lbs
EST-2436	38" L x 26" W x 5" H	24" D x 36" W x 26" H	36 inches	49 lbs
EST-2448	50" L x 26" W x 5" H	24" D x 48" W x 26" H	48 inches	60 lbs
EST-2460	62" L x 26" W x 5" H	24" D x 60" W x 26" H	60 inches	80 lbs
EST-3015	32" L x 18" W x 5" H	30" D x 15" W x 26" H	15 inches	37 lbs
EST-3018	32" L x 20" W x 5" H	30" D x 18" W x 26" H	18 inches	40 lbs
EST-3024	32" L x 26" W x 5" H	30" D x 24" W x 26" H	24 inches	48 lbs
EST-3030	32" L x 32" W x 5" H	30" D x 30" W x 26" H	30 inches	52 lbs
EST-3036	38" L x 32" W x 5" H	30" D x 36" W x 26" H	36 inches	57 lbs
EST-3048	50" L x 32" W x 5" H	30" D x 48" W x 26" H	48 inches	69 lbs
EST-3060	62" L x 32" W x 5" H	30" D x 60" W x 26" H	60 inches	75 lbs

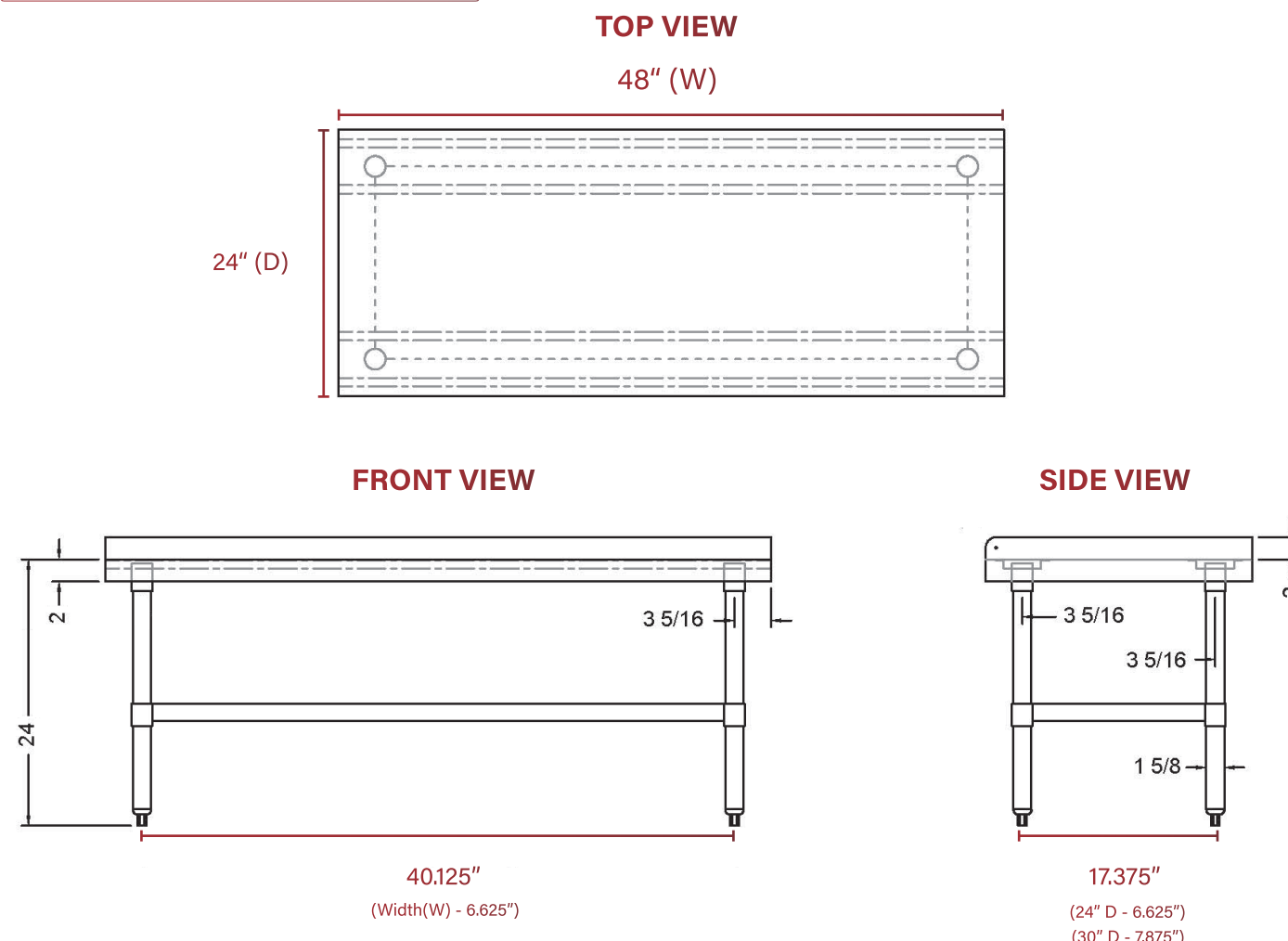


Stainless Steel Equipment Stand

EST-2448

Size:	24" D x 48" W x 24" H
Weight	60 lbs
Width	48 inches
Shipping Size	50" L x 26" W x 5" H

EST-2448 Technical Drawing



Equipment Stand, 24" x 48"

Features



- ✓ 1.5" riser on three sides securely holds equipment in place.
- ✓ Heavy-duty, 18 gauge, Type 430 stainless steel top ensures long-lasting durability.
- ✓ Top is TIG welded for strength.
- ✓ Entire top surface is polished to a satin finish.
- ✓ Reinforced to exceed industry standards.
- ✓ Galvanized hat channels secured to the top with structural adhesive and weld studs.
- ✓ Welded gussets support hat sections.
- ✓ Hemmed edges for added strength and safety.
- ✓ Galvanized legs and undershelf offer durability and cost-effectiveness.
- ✓ Die-cast reinforced leg sockets for enhanced stability.

Model	Shipping Deminsions	Product Size	Width	Weight
EST-2424	26" L x 26" W x 5" H	24" D x 24" W x 26" H	24 inches	40 lbs
EST-2430	32" L x 26" W x 5" H	24" D x 30" W x 26" H	30 inches	45 lbs
EST-2436	38" L x 26" W x 5" H	24" D x 36" W x 26" H	36 inches	49 lbs
EST-2448	50" L x 26" W x 5" H	24" D x 48" W x 26" H	48 inches	60 lbs
EST-2460	62" L x 26" W x 5" H	24" D x 60" W x 26" H	60 inches	80 lbs
EST-3015	32" L x 18" W x 5" H	30" D x 15" W x 26" H	15 inches	37 lbs
EST-3018	32" L x 20" W x 5" H	30" D x 18" W x 26" H	18 inches	40 lbs
EST-3024	32" L x 26" W x 5" H	30" D x 24" W x 26" H	24 inches	48 lbs
EST-3030	32" L x 32" W x 5" H	30" D x 30" W x 26" H	30 inches	52 lbs
EST-3036	38" L x 32" W x 5" H	30" D x 36" W x 26" H	36 inches	57 lbs
EST-3048	50" L x 32" W x 5" H	30" D x 48" W x 26" H	48 inches	69 lbs
EST-3060	62" L x 32" W x 5" H	30" D x 60" W x 26" H	60 inches	75 lbs



Stainless Steel Equipment Stand

EST-2460

Size:	24" D x 60" W x 24" H
Weight	80 lbs
Width	60 inches
Shipping Size	62" L x 26" W x 5" H

Equipment Stand, 24" x 60"

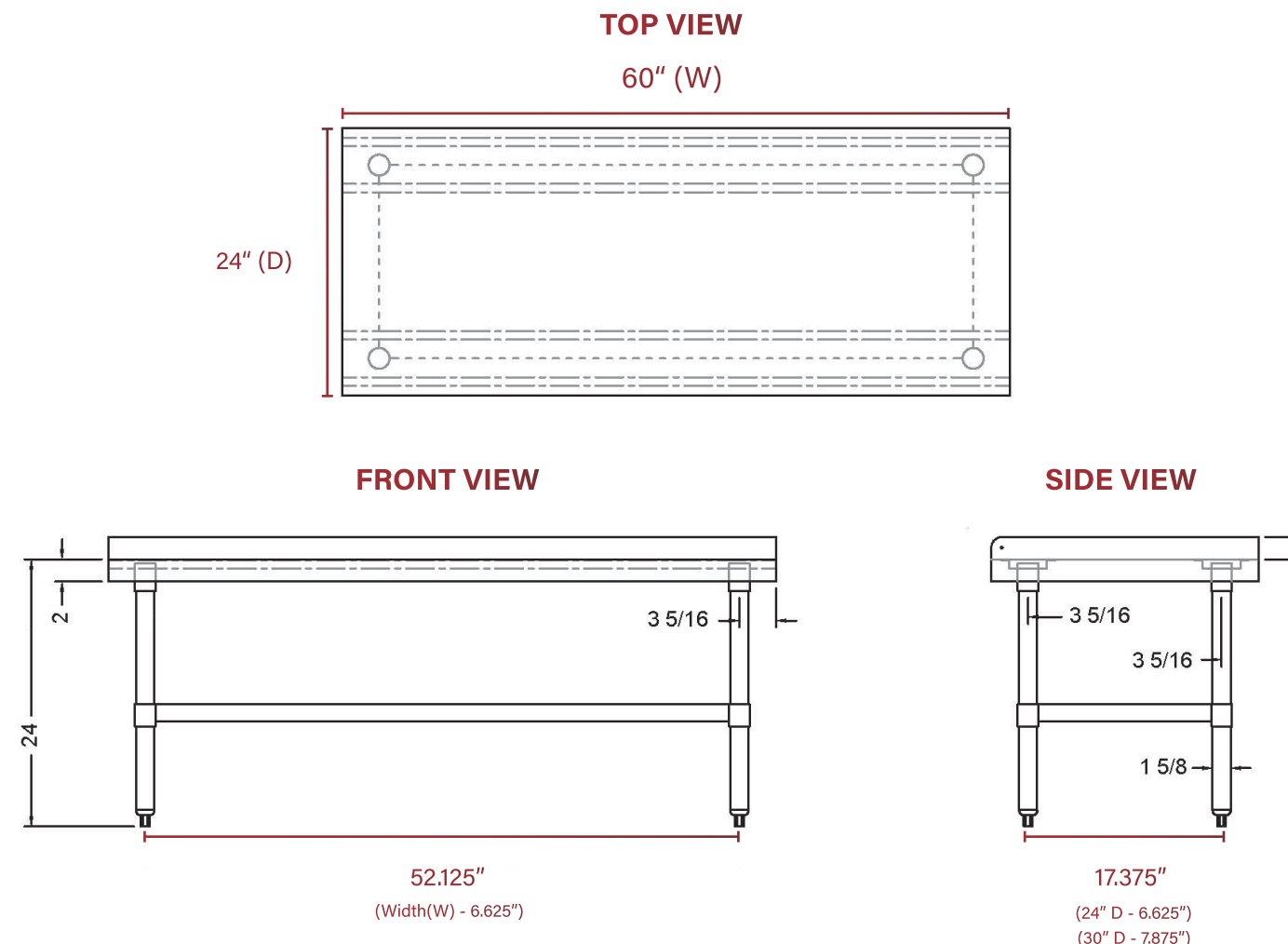
Features



- ✓ 1.5" riser on three sides securely holds equipment in place.
- ✓ Heavy-duty, 18 gauge, Type 430 stainless steel top ensures long-lasting durability.
- ✓ Top is TIG welded for strength.
- ✓ Entire top surface is polished to a satin finish.
- ✓ Reinforced to exceed industry standards.
- ✓ Galvanized hat channels secured to the top with structural adhesive and weld studs.
- ✓ Welded gussets support hat sections.
- ✓ Hemmed edges for added strength and safety.
- ✓ Galvanized legs and undershelf offer durability and cost-effectiveness.
- ✓ Die-cast reinforced leg sockets for enhanced stability.

EST-2460

Technical Drawing



Model	Shipping Deminsions	Product Size	Width	Weight
EST-2424	26" L x 26" W x 5" H	24" D x 24" W x 26" H	24 inches	40 lbs
EST-2430	32" L x 26" W x 5" H	24" D x 30" W x 26" H	30 inches	45 lbs
EST-2436	38" L x 26" W x 5" H	24" D x 36" W x 26" H	36 inches	49 lbs
EST-2448	50" L x 26" W x 5" H	24" D x 48" W x 26" H	48 inches	60 lbs
EST-2460	62" L x 26" W x 5" H	24" D x 60" W x 26" H	60 inches	80 lbs
EST-3015	32" L x 18" W x 5" H	30" D x 15" W x 26" H	15 inches	37 lbs
EST-3018	32" L x 20" W x 5" H	30" D x 18" W x 26" H	18 inches	40 lbs
EST-3024	32" L x 26" W x 5" H	30" D x 24" W x 26" H	24 inches	48 lbs
EST-3030	32" L x 32" W x 5" H	30" D x 30" W x 26" H	30 inches	52 lbs
EST-3036	38" L x 32" W x 5" H	30" D x 36" W x 26" H	36 inches	57 lbs
EST-3048	50" L x 32" W x 5" H	30" D x 48" W x 26" H	48 inches	69 lbs
EST-3060	62" L x 32" W x 5" H	30" D x 60" W x 26" H	60 inches	75 lbs



Stainless Steel Equipment Stand

EST-3015

Size:	30" D x 15" W x 24" H
Weight	37 lbs
Width	15 inches
Shipping Size	18" L x 32" W x 5" H

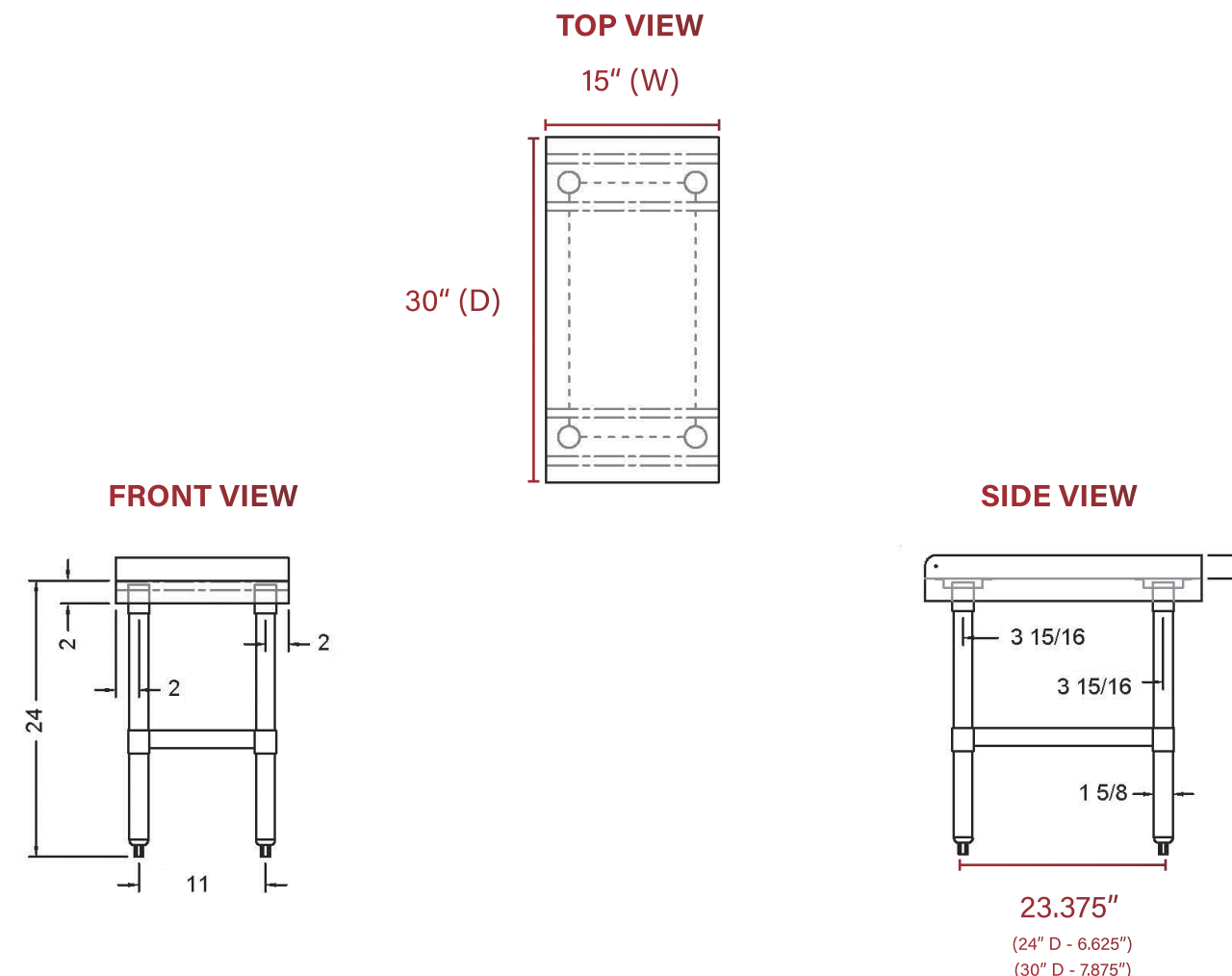
Equipment Stand, 30" x 15"

Features



- ✓ 1.5" riser on three sides securely holds equipment in place.
- ✓ Heavy-duty, 18 gauge, Type 430 stainless steel top ensures long-lasting durability.
- ✓ Top is TIG welded for strength.
- ✓ Entire top surface is polished to a satin finish.
- ✓ Reinforced to exceed industry standards.
- ✓ Galvanized hat channels secured to the top with structural adhesive and weld studs.
- ✓ Welded gussets support hat sections.
- ✓ Hemmed edges for added strength and safety.
- ✓ Galvanized legs and undershelf offer durability and cost-effectiveness.
- ✓ Die-cast reinforced leg sockets for enhanced stability.

EST-3015 Technical Drawing



Model	Shipping Deminsions	Product Size	Width	Weight
EST-2424	26" L x 26" W x 5" H	24" D x 24" W x 26" H	24 inches	40 lbs
EST-2430	32" L x 26" W x 5" H	24" D x 30" W x 26" H	30 inches	45 lbs
EST-2436	38" L x 26" W x 5" H	24" D x 36" W x 26" H	36 inches	49 lbs
EST-2448	50" L x 26" W x 5" H	24" D x 48" W x 26" H	48 inches	60 lbs
EST-2460	62" L x 26" W x 5" H	24" D x 60" W x 26" H	60 inches	80 lbs
EST-3015	32" L x 18" W x 5" H	30" D x 15" W x 26" H	15 inches	37 lbs
EST-3018	32" L x 20" W x 5" H	30" D x 18" W x 26" H	18 inches	40 lbs
EST-3024	32" L x 26" W x 5" H	30" D x 24" W x 26" H	24 inches	48 lbs
EST-3030	32" L x 32" W x 5" H	30" D x 30" W x 26" H	30 inches	52 lbs
EST-3036	38" L x 32" W x 5" H	30" D x 36" W x 26" H	36 inches	57 lbs
EST-3048	50" L x 32" W x 5" H	30" D x 48" W x 26" H	48 inches	69 lbs
EST-3060	62" L x 32" W x 5" H	30" D x 60" W x 26" H	60 inches	75 lbs



Stainless Steel Equipment Stand

EST-3018

Size:	30" D x 18" W x 24" H
Weight	40 lbs
Width	18 inches
Shipping Size	20" L x 32" W x 5" H

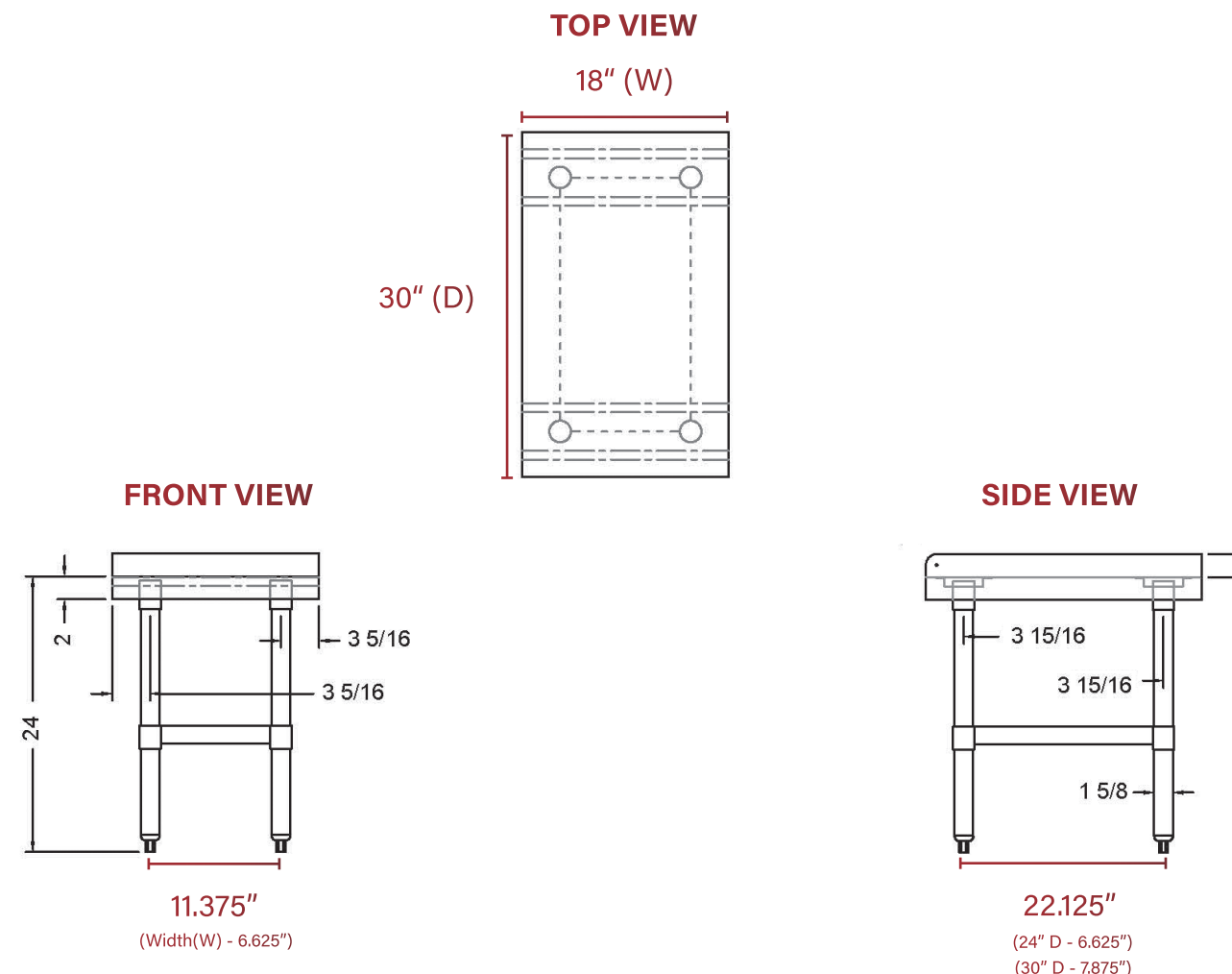
Equipment Stand, 30" x 18"

Features



- ✓ 1.5" riser on three sides securely holds equipment in place.
- ✓ Heavy-duty, 18 gauge, Type 430 stainless steel top ensures long-lasting durability.
- ✓ Top is TIG welded for strength.
- ✓ Entire top surface is polished to a satin finish.
- ✓ Reinforced to exceed industry standards.
- ✓ Galvanized hat channels secured to the top with structural adhesive and weld studs.
- ✓ Welded gussets support hat sections.
- ✓ Hemmed edges for added strength and safety.
- ✓ Galvanized legs and undershelf offer durability and cost-effectiveness.
- ✓ Die-cast reinforced leg sockets for enhanced stability.

EST-3018 Technical Drawing



Model	Shipping Deminsions	Product Size	Width	Weight
EST-2424	26" L x 26" W x 5" H	24" D x 24" W x 26" H	24 inches	40 lbs
EST-2430	32" L x 26" W x 5" H	24" D x 30" W x 26" H	30 inches	45 lbs
EST-2436	38" L x 26" W x 5" H	24" D x 36" W x 26" H	36 inches	49 lbs
EST-2448	50" L x 26" W x 5" H	24" D x 48" W x 26" H	48 inches	60 lbs
EST-2460	62" L x 26" W x 5" H	24" D x 60" W x 26" H	60 inches	80 lbs
EST-3015	32" L x 18" W x 5" H	30" D x 15" W x 26" H	15 inches	37 lbs
EST-3018	32" L x 20" W x 5" H	30" D x 18" W x 26" H	18 inches	40 lbs
EST-3024	32" L x 26" W x 5" H	30" D x 24" W x 26" H	24 inches	48 lbs
EST-3030	32" L x 32" W x 5" H	30" D x 30" W x 26" H	30 inches	52 lbs
EST-3036	38" L x 32" W x 5" H	30" D x 36" W x 26" H	36 inches	57 lbs
EST-3048	50" L x 32" W x 5" H	30" D x 48" W x 26" H	48 inches	69 lbs
EST-3060	62" L x 32" W x 5" H	30" D x 60" W x 26" H	60 inches	75 lbs



Stainless Steel Equipment Stand

EST-3024

Size:	30" D x 24" W x 24" H
Weight	48 lbs
Width	24 inches
Shipping Size	26" L x 32" W x 5" H

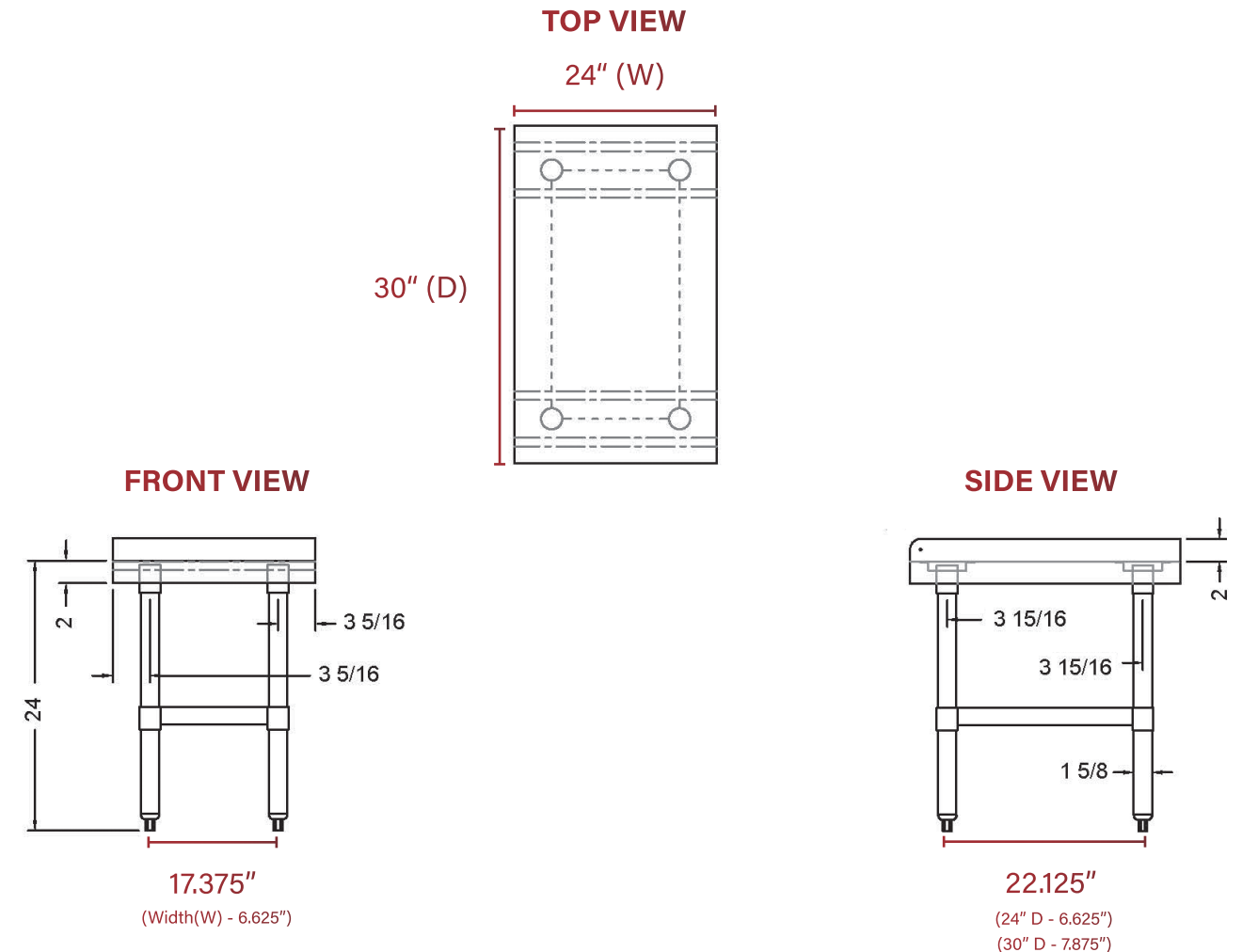
Equipment Stand, 30" x 24"

Features



- ✓ 1.5" riser on three sides securely holds equipment in place.
- ✓ Heavy-duty, 18 gauge, Type 430 stainless steel top ensures long-lasting durability.
- ✓ Top is TIG welded for strength.
- ✓ Entire top surface is polished to a satin finish.
- ✓ Reinforced to exceed industry standards.
- ✓ Galvanized hat channels secured to the top with structural adhesive and weld studs.
- ✓ Welded gussets support hat sections.
- ✓ Hemmed edges for added strength and safety.
- ✓ Galvanized legs and undershelf offer durability and cost-effectiveness.
- ✓ Die-cast reinforced leg sockets for enhanced stability.

EST-3024 Technical Drawing



Model	Shipping Deminsions	Product Size	Width	Weight
EST-2424	26" L x 26" W x 5" H	24" D x 24" W x 26" H	24 inches	40 lbs
EST-2430	32" L x 26" W x 5" H	24" D x 30" W x 26" H	30 inches	45 lbs
EST-2436	38" L x 26" W x 5" H	24" D x 36" W x 26" H	36 inches	49 lbs
EST-2448	50" L x 26" W x 5" H	24" D x 48" W x 26" H	48 inches	60 lbs
EST-2460	62" L x 26" W x 5" H	24" D x 60" W x 26" H	60 inches	80 lbs
EST-3015	32" L x 18" W x 5" H	30" D x 15" W x 26" H	15 inches	37 lbs
EST-3018	32" L x 20" W x 5" H	30" D x 18" W x 26" H	18 inches	40 lbs
EST-3024	32" L x 26" W x 5" H	30" D x 24" W x 26" H	24 inches	48 lbs
EST-3030	32" L x 32" W x 5" H	30" D x 30" W x 26" H	30 inches	52 lbs
EST-3036	38" L x 32" W x 5" H	30" D x 36" W x 26" H	36 inches	57 lbs
EST-3048	50" L x 32" W x 5" H	30" D x 48" W x 26" H	48 inches	69 lbs
EST-3060	62" L x 32" W x 5" H	30" D x 60" W x 26" H	60 inches	75 lbs



Stainless Steel Equipment Stand

EST-3030

Size:	30" D x 30" W x 24" H
Weight	52 lbs
Width	30 inches
Shipping Size	32" L x 32" W x 5" H

Equipment Stand, 30" x 30"

Features

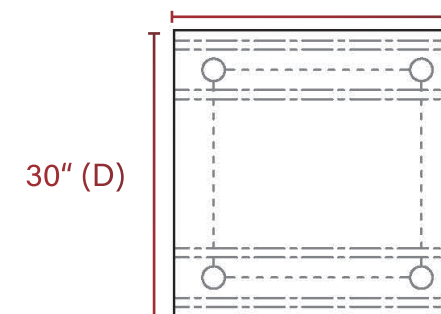


- ✓ 1.5" riser on three sides securely holds equipment in place.
- ✓ Heavy-duty, 18 gauge, Type 430 stainless steel top ensures long-lasting durability.
- ✓ Top is TIG welded for strength.
- ✓ Entire top surface is polished to a satin finish.
- ✓ Reinforced to exceed industry standards.
- ✓ Galvanized hat channels secured to the top with structural adhesive and weld studs.
- ✓ Welded gussets support hat sections.
- ✓ Hemmed edges for added strength and safety.
- ✓ Galvanized legs and undershelf offer durability and cost-effectiveness.
- ✓ Die-cast reinforced leg sockets for enhanced stability.

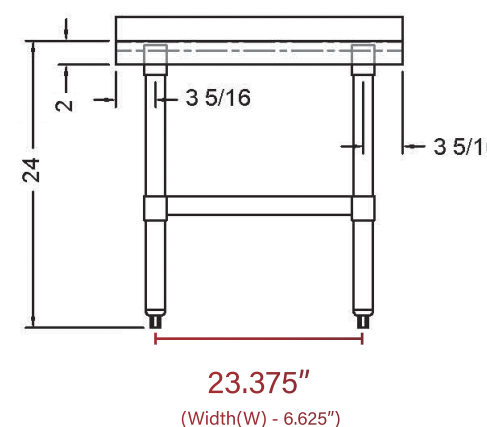
EST-3030

Technical Drawing

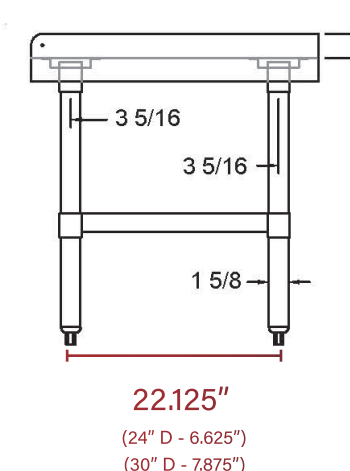
TOP VIEW
30" (W)



FRONT VIEW



SIDE VIEW



Model	Shipping Deminsions	Product Size	Width	Weight
EST-2424	26" L x 26" W x 5" H	24" D x 24" W x 26" H	24 inches	40 lbs
EST-2430	32" L x 26" W x 5" H	24" D x 30" W x 26" H	30 inches	45 lbs
EST-2436	38" L x 26" W x 5" H	24" D x 36" W x 26" H	36 inches	49 lbs
EST-2448	50" L x 26" W x 5" H	24" D x 48" W x 26" H	48 inches	60 lbs
EST-2460	62" L x 26" W x 5" H	24" D x 60" W x 26" H	60 inches	80 lbs
EST-3015	32" L x 18" W x 5" H	30" D x 15" W x 26" H	15 inches	37 lbs
EST-3018	32" L x 20" W x 5" H	30" D x 18" W x 26" H	18 inches	40 lbs
EST-3024	32" L x 26" W x 5" H	30" D x 24" W x 26" H	24 inches	48 lbs
EST-3030	32" L x 32" W x 5" H	30" D x 30" W x 26" H	30 inches	52 lbs
EST-3036	38" L x 32" W x 5" H	30" D x 36" W x 26" H	36 inches	57 lbs
EST-3048	50" L x 32" W x 5" H	30" D x 48" W x 26" H	48 inches	69 lbs
EST-3060	62" L x 32" W x 5" H	30" D x 60" W x 26" H	60 inches	75 lbs



Stainless Steel Equipment Stand

EST-3036

Size:	30" D x 36" W x 24" H
Weight	57 lbs
Width	36 inches
Shipping Size	38" L x 32" W x 5" H

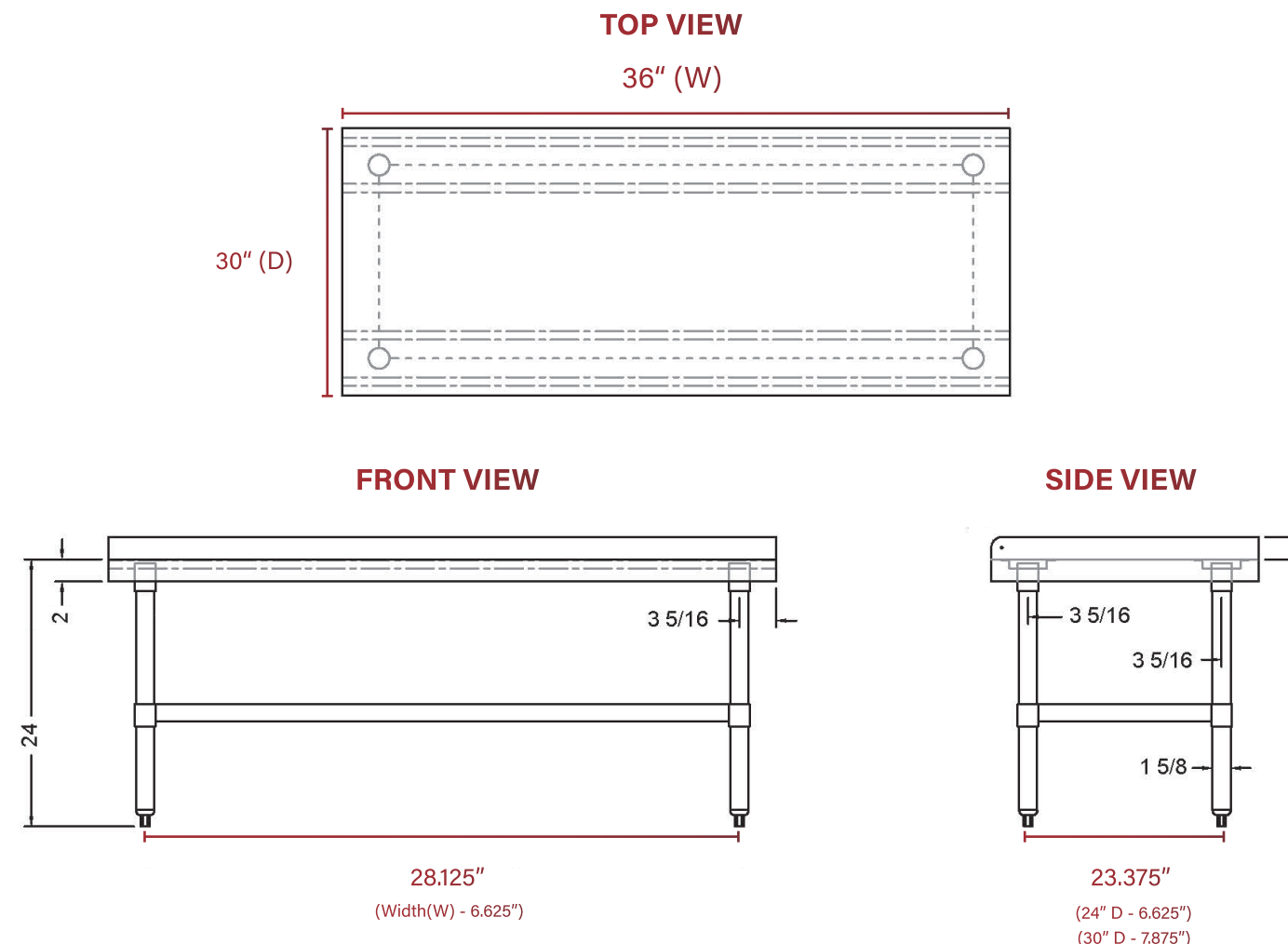
Equipment Stand, 30" x 36"

Features



- ✓ 1.5" riser on three sides securely holds equipment in place.
- ✓ Heavy-duty, 18 gauge, Type 430 stainless steel top ensures long-lasting durability.
- ✓ Top is TIG welded for strength.
- ✓ Entire top surface is polished to a satin finish.
- ✓ Reinforced to exceed industry standards.
- ✓ Galvanized hat channels secured to the top with structural adhesive and weld studs.
- ✓ Welded gussets support hat sections.
- ✓ Hemmed edges for added strength and safety.
- ✓ Galvanized legs and undershelf offer durability and cost-effectiveness.
- ✓ Die-cast reinforced leg sockets for enhanced stability.

EST-3036 Technical Drawing



Model	Shipping Deminsions	Product Size	Width	Weight
EST-2424	26" L x 26" W x 5" H	24" D x 24" W x 26" H	24 inches	40 lbs
EST-2430	32" L x 26" W x 5" H	24" D x 30" W x 26" H	30 inches	45 lbs
EST-2436	38" L x 26" W x 5" H	24" D x 36" W x 26" H	36 inches	49 lbs
EST-2448	50" L x 26" W x 5" H	24" D x 48" W x 26" H	48 inches	60 lbs
EST-2460	62" L x 26" W x 5" H	24" D x 60" W x 26" H	60 inches	80 lbs
EST-3015	32" L x 18" W x 5" H	30" D x 15" W x 26" H	15 inches	37 lbs
EST-3018	32" L x 20" W x 5" H	30" D x 18" W x 26" H	18 inches	40 lbs
EST-3024	32" L x 26" W x 5" H	30" D x 24" W x 26" H	24 inches	48 lbs
EST-3030	32" L x 32" W x 5" H	30" D x 30" W x 26" H	30 inches	52 lbs
EST-3036	38" L x 32" W x 5" H	30" D x 36" W x 26" H	36 inches	57 lbs
EST-3048	50" L x 32" W x 5" H	30" D x 48" W x 26" H	48 inches	69 lbs
EST-3060	62" L x 32" W x 5" H	30" D x 60" W x 26" H	60 inches	75 lbs



Stainless Steel Equipment Stand

EST-3048

Size:	30" D x 48" W x 24" H
Weight	69 lbs
Width	48 inches
Shipping Size	50" L x 32" W x 5" H

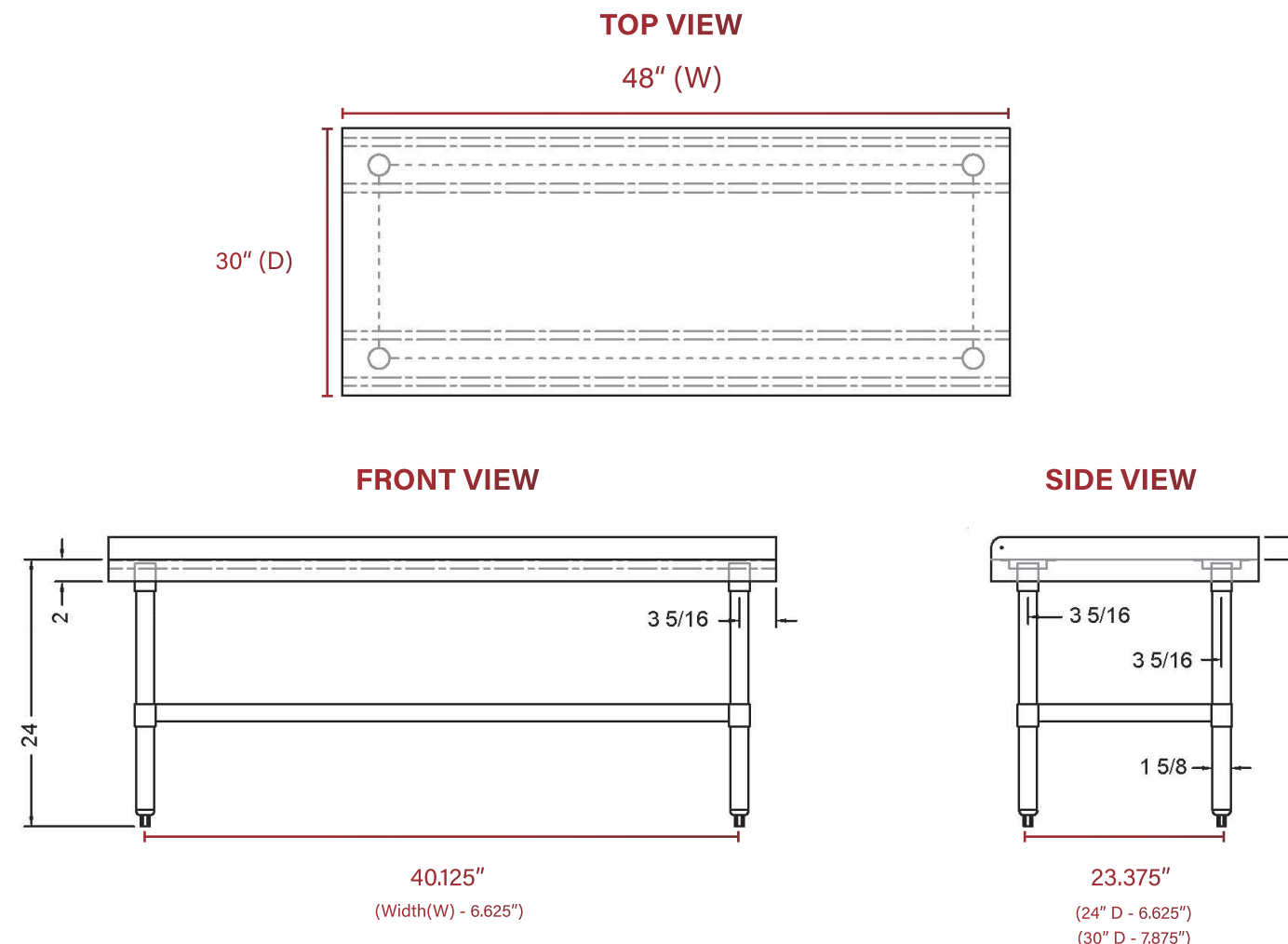
Equipment Stand, 30" x 48"

Features



- ✓ 1.5" riser on three sides securely holds equipment in place.
- ✓ Heavy-duty, 18 gauge, Type 430 stainless steel top ensures long-lasting durability.
- ✓ Top is TIG welded for strength.
- ✓ Entire top surface is polished to a satin finish.
- ✓ Reinforced to exceed industry standards.
- ✓ Galvanized hat channels secured to the top with structural adhesive and weld studs.
- ✓ Welded gussets support hat sections.
- ✓ Hemmed edges for added strength and safety.
- ✓ Galvanized legs and undershelf offer durability and cost-effectiveness.
- ✓ Die-cast reinforced leg sockets for enhanced stability.

EST-3048 Technical Drawing



Model	Shipping Deminsions	Product Size	Width	Weight
EST-2424	26" L x 26" W x 5" H	24" D x 24" W x 26" H	24 inches	40 lbs
EST-2430	32" L x 26" W x 5" H	24" D x 30" W x 26" H	30 inches	45 lbs
EST-2436	38" L x 26" W x 5" H	24" D x 36" W x 26" H	36 inches	49 lbs
EST-2448	50" L x 26" W x 5" H	24" D x 48" W x 26" H	48 inches	60 lbs
EST-2460	62" L x 26" W x 5" H	24" D x 60" W x 26" H	60 inches	80 lbs
EST-3015	32" L x 18" W x 5" H	30" D x 15" W x 26" H	15 inches	37 lbs
EST-3018	32" L x 20" W x 5" H	30" D x 18" W x 26" H	18 inches	40 lbs
EST-3024	32" L x 26" W x 5" H	30" D x 24" W x 26" H	24 inches	48 lbs
EST-3030	32" L x 32" W x 5" H	30" D x 30" W x 26" H	30 inches	52 lbs
EST-3036	38" L x 32" W x 5" H	30" D x 36" W x 26" H	36 inches	57 lbs
EST-3048	50" L x 32" W x 5" H	30" D x 48" W x 26" H	48 inches	69 lbs
EST-3060	62" L x 32" W x 5" H	30" D x 60" W x 26" H	60 inches	75 lbs



Stainless Steel Equipment Stand

EST-3060

Size:	30" D x 60" W x 24" H
Weight	75 lbs
Width	60 inches
Shipping Size	62" L x 32" W x 5" H

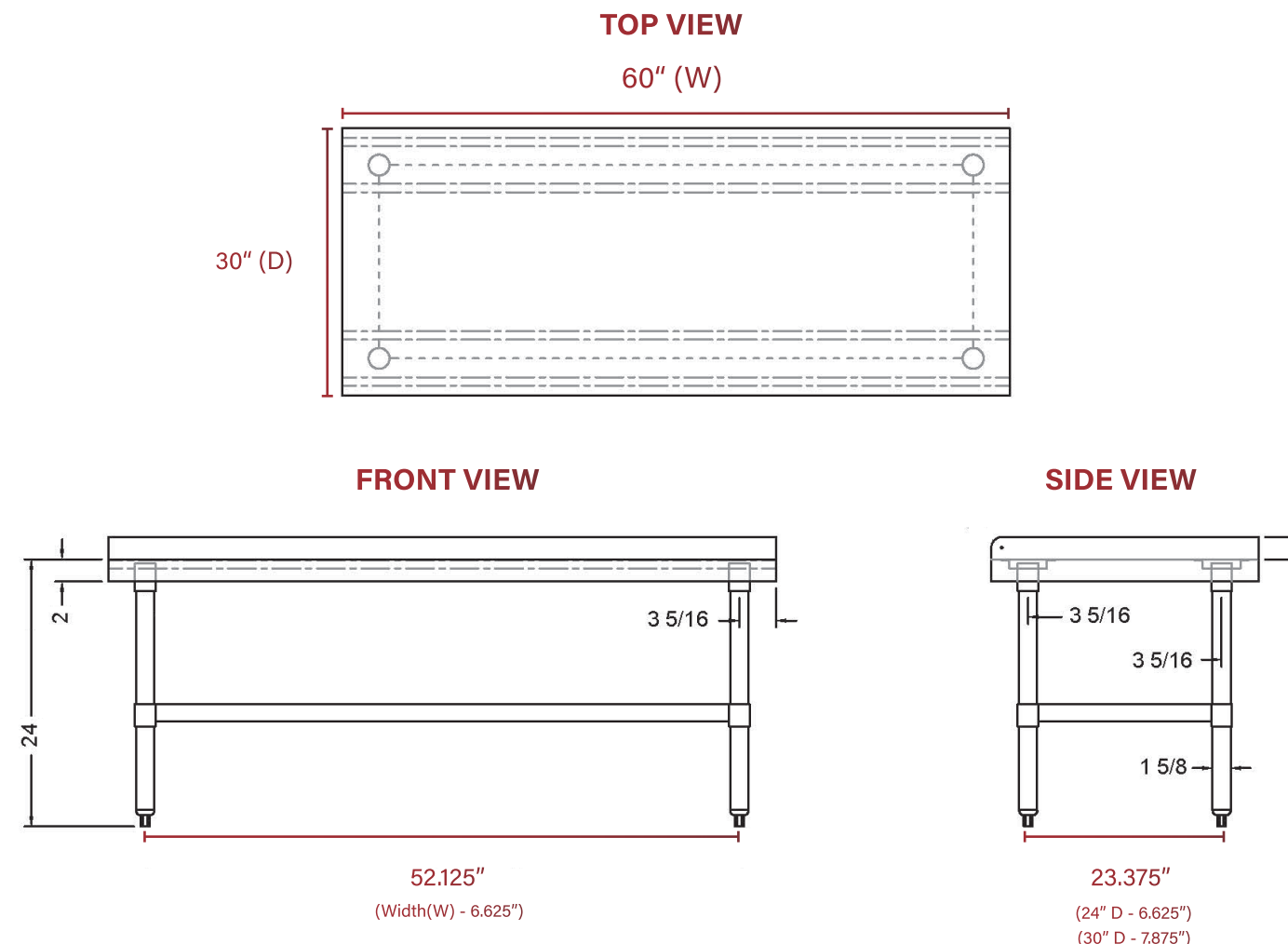
Equipment Stand, 30" x 60"

Features



- ✓ 1.5" riser on three sides securely holds equipment in place.
- ✓ Heavy-duty, 18 gauge, Type 430 stainless steel top ensures long-lasting durability.
- ✓ Top is TIG welded for strength.
- ✓ Entire top surface is polished to a satin finish.
- ✓ Reinforced to exceed industry standards.
- ✓ Galvanized hat channels secured to the top with structural adhesive and weld studs.
- ✓ Welded gussets support hat sections.
- ✓ Hemmed edges for added strength and safety.
- ✓ Galvanized legs and undershelf offer durability and cost-effectiveness.
- ✓ Die-cast reinforced leg sockets for enhanced stability.

EST-3060 Technical Drawing



Model	Shipping Deminsions	Product Size	Width	Weight
EST-2424	26" L x 26" W x 5" H	24" D x 24" W x 26" H	24 inches	40 lbs
EST-2430	32" L x 26" W x 5" H	24" D x 30" W x 26" H	30 inches	45 lbs
EST-2436	38" L x 26" W x 5" H	24" D x 36" W x 26" H	36 inches	49 lbs
EST-2448	50" L x 26" W x 5" H	24" D x 48" W x 26" H	48 inches	60 lbs
EST-2460	62" L x 26" W x 5" H	24" D x 60" W x 26" H	60 inches	80 lbs
EST-3015	32" L x 18" W x 5" H	30" D x 15" W x 26" H	15 inches	37 lbs
EST-3018	32" L x 20" W x 5" H	30" D x 18" W x 26" H	18 inches	40 lbs
EST-3024	32" L x 26" W x 5" H	30" D x 24" W x 26" H	24 inches	48 lbs
EST-3030	32" L x 32" W x 5" H	30" D x 30" W x 26" H	30 inches	52 lbs
EST-3036	38" L x 32" W x 5" H	30" D x 36" W x 26" H	36 inches	57 lbs
EST-3048	50" L x 32" W x 5" H	30" D x 48" W x 26" H	48 inches	69 lbs
EST-3060	62" L x 32" W x 5" H	30" D x 60" W x 26" H	60 inches	75 lbs